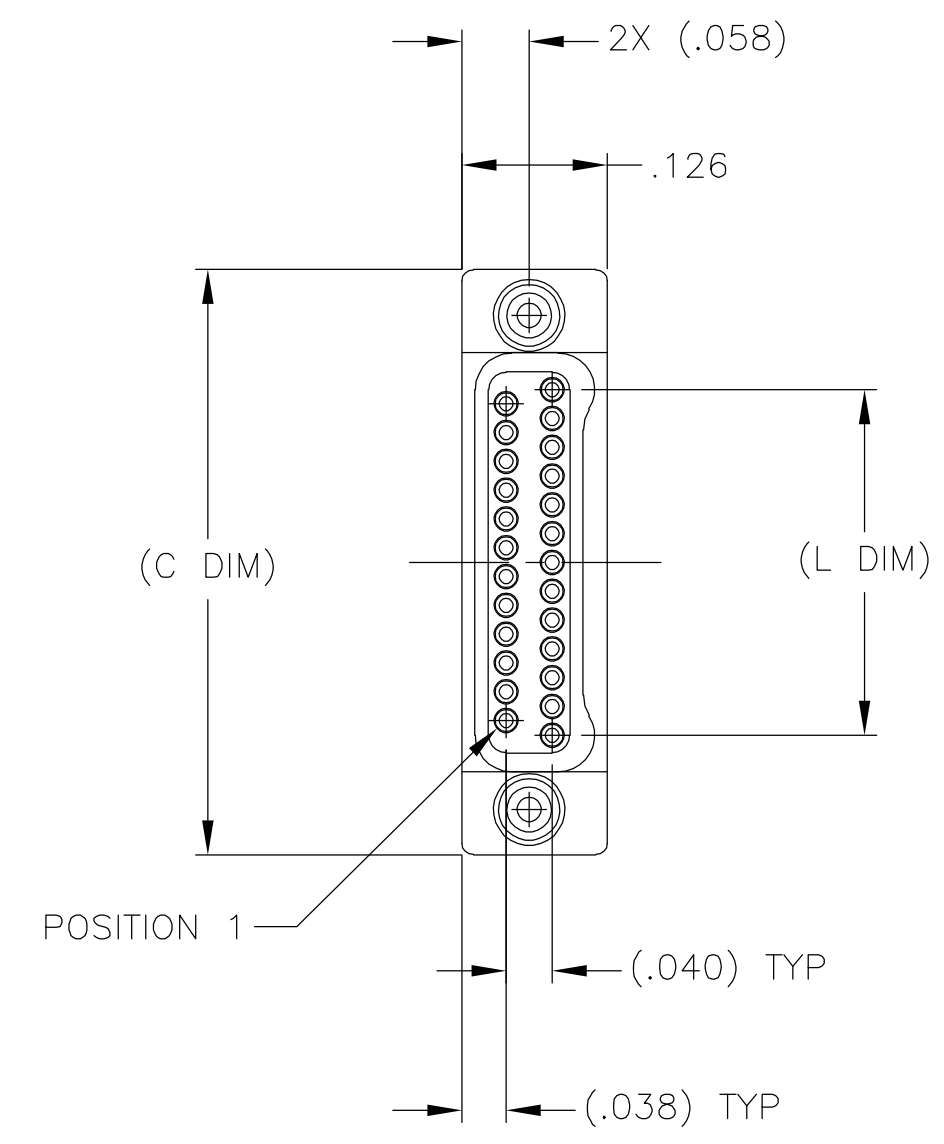
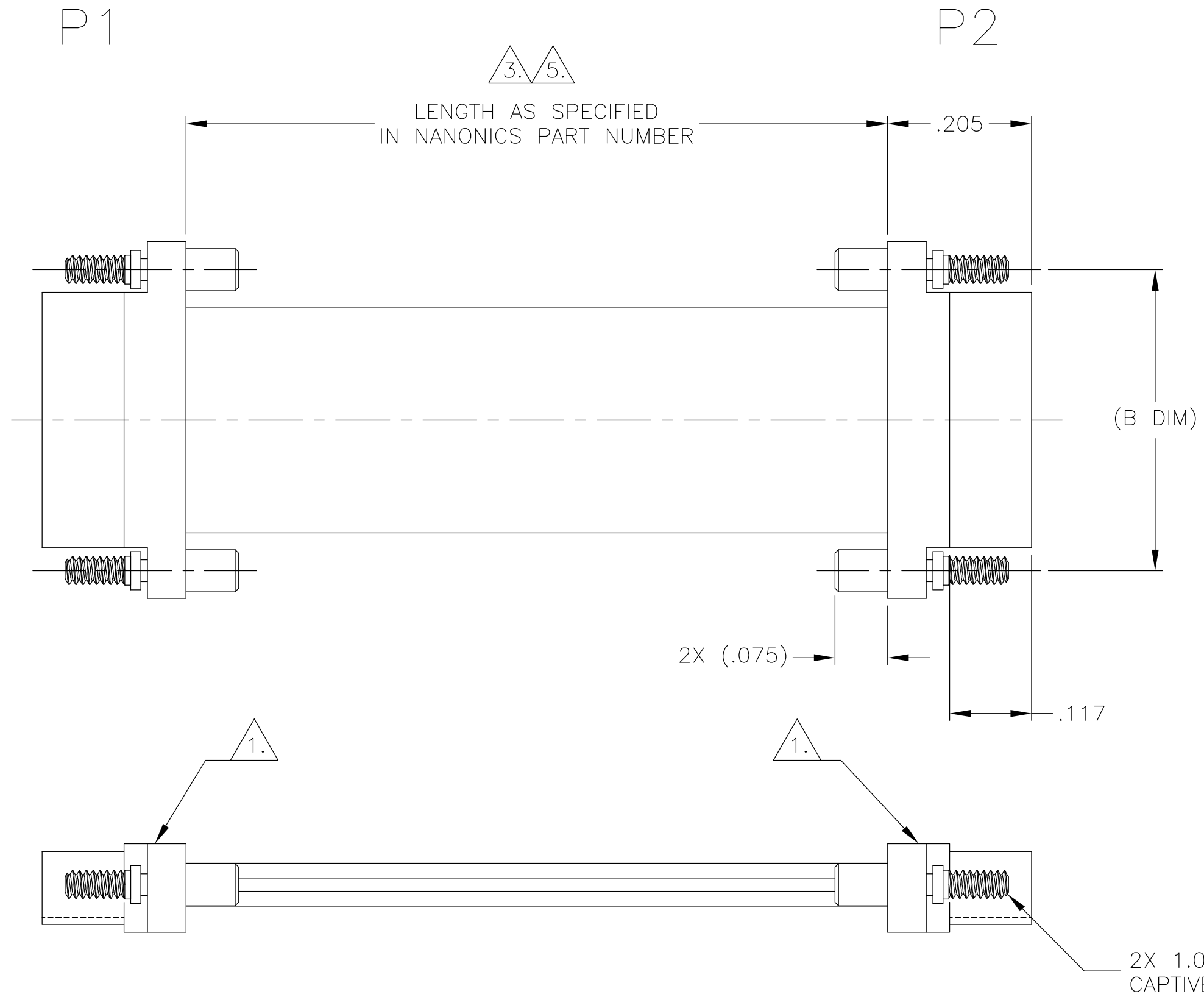
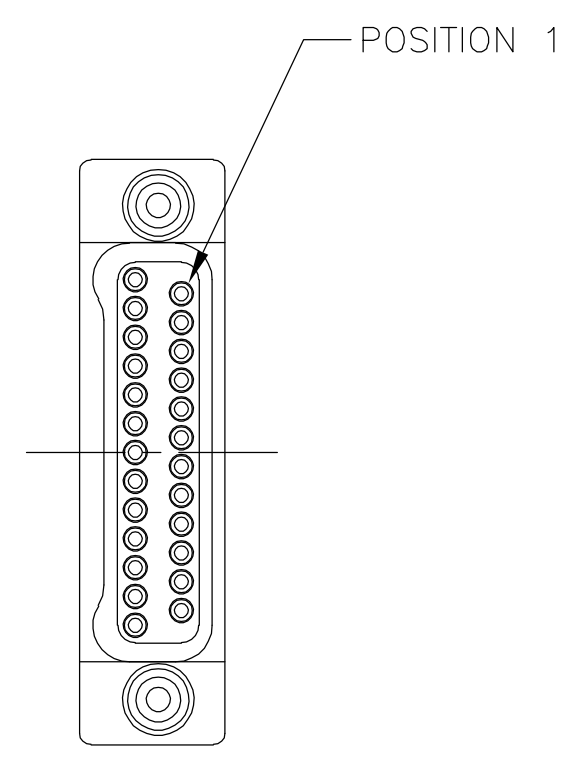


THIS DRAWING IS UNPUBLISHED. RELEASED FOR PUBLICATION
 © COPYRIGHT BY TYCO ELECTRONICS CORPORATION. ALL RIGHTS RESERVED.

LOC	DIST	REVISIONS					
DF	DO	P	LTR	DESCRIPTION	DATE	DWN	APVD
		C		UPDATE PER 0H2Y-0381-04	17 NOV 04	CAS	MKS

SIZE	(B DIM)	C DIM ±.0050	(L DIM)
09	(.229)	.3085	(.100)
15	(.304)	.3835	(.175)
25	(.429)	.5085	(.300)
37	(.579)	.6585	(.450)
51	(.754)	.8335	(.625)
65	(.929)	1.0085	(.800)



- 1. SHELL OPTIONS (TO BE SPECIFIED IN NANONICS PART NUMBER):
 METAL: 6061-T6 ALUMINUM, ELECTROLESS NICKEL PLATED PER MIL-C-26074 (STANDARD) OR GOLD PLATED PER MIL-G-45204
 303 STAINLESS STEEL, PASSIVATED PER SAE-AMS-QQ-P-35
 INSULATOR MATERIAL FOR ALL METAL SHELLS IS LIQUID CRYSTAL POLYMER (LCP) PER MIL-M-24519 OR PER ASTM D5138
 PLASTIC: LIQUID CRYSTAL POLYMER (LCP) PER MIL-M-24519 OR PER ASTM D5138
- 2. STANDARD 1.00UNM CAPTIVE JACKSCREWS ARE SHOWN FOR REFERENCE ONLY AND MUST BE SPECIFIED IN THE NANONICS PART NUMBER WHEN REQUIRED. JACKSCREW MATERIAL IS 303 STAINLESS STEEL, PASSIVATED PER SAE-AMS-QQ-P-35, AND DRY LUBED PER DOD-L-85645. RETAINING RING IS 17-4 STAINLESS STEEL, PASSIVATED PER SAE-AMS-QQ-P-35. JACKSCREWS HAVE A .9mm HEX SOCKET HEAD. 1.20UNM JACKSCREWS ALSO AVAILABLE.
- 3. THIS CONFIGURATION MAY BE TERMINATED WITH 28 AWG SOLID, 30 AWG STRANDED, SMALLER WIRE, OR RIBBON CABLE. STANDARD WIRING IS HIGH TO LOW IN ROW. EXAMPLE: FOR 15 POS JUMPER, WIRING IN THE TOP ROW WILL BE P1-1 TO P2-7, P1-2 TO P2-6, P1-3 TO P2-5, ETC. WIRING IN THE LOWER ROW WILL BE P1-8 TO P2-15, P1-9 TO P2-14, P1-10 TO P2-13, ETC.
- 4. THIS CONFIGURATION HAS THE SAME CONNECTOR TYPE TERMINATED TO EACH END OF THE JUMPER ASSEMBLY.
- 5. LENGTH TOLERANCE: UP TO 25.0 INCHES, ±.25; 25.0 INCHES AND LONGER, ±1%
- 6. DIMENSIONS TYPICAL FOR BOTH CONNECTORS.

THIS DRAWING IS A CONTROLLED DOCUMENT.		DWN D. MORALES 05-22-03	Tyco Electronics Corporation Harrisburg, PA 17105
DIMENSIONS: INCHES		CHK H. ABEE 05-22-03	
TOLERANCES UNLESS OTHERWISE SPECIFIED:		APVD D. MORALES 05-22-03	
0 PLC ± - 1 PLC ± - 2 PLC ± .010 3 PLC ± .005 4 PLC ± - ANGLES ± 1°		PRODUCT SPEC -	
MATERIAL SEE NOTES		FINISH SEE NOTES	APPLICATION SPEC -
SEE NOTES		WEIGHT -	RESTRICTED TO -
CUSTOMER DRAWING		SCALE 6:1	SIZE A2 CAGE CODE 00779 C=1589798 SHEET 1 OF 1 REV C