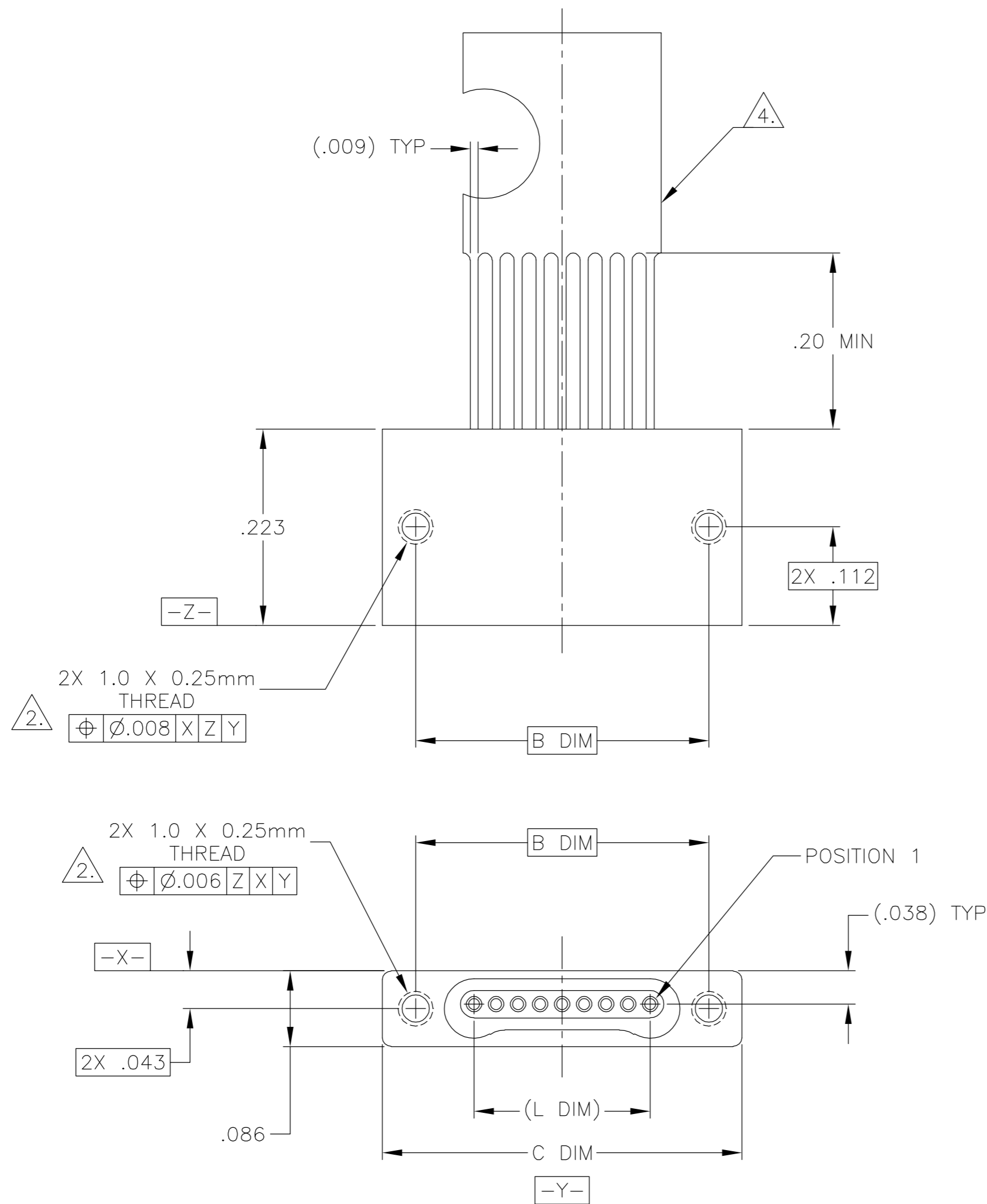


THIS DRAWING IS UNPUBLISHED. RELEASED FOR PUBLICATION
 © COPYRIGHT BY TYCO ELECTRONICS CORPORATION. ALL RIGHTS RESERVED.

| LOC | DIST | REVISIONS | | | | | |
|-----|------|-----------|-----|-------------------------|----------|-----|------|
| DF | DO | P | LTR | DESCRIPTION | DATE | DWN | APVD |
| | | C | | UPDATE PER 0H2Y-0164-04 | 05-12-04 | JDM | MKS |



| SIZE | B DIM | C DIM ±.0050 | (L DIM) |
|------|-------|-----------------|---------|
| 05 | .233 | .3085 | (.100) |
| 09 | .333 | .4085 | (.200) |
| 15 | .483 | .5585 | (.350) |
| 25 | .733 | .8085 | (.600) |
| 37 | 1.033 | 1.1085 | (.900) |
| 51 | 1.383 | 1.4585 | (1.250) |

1. SHELL OPTIONS (TO BE SPECIFIED IN NANONICS PART NUMBER):
 METAL: 6061-T6 ALUMINUM, ELECTROLESS NICKEL PLATED PER MIL-C-26074 (STANDARD) OR GOLD PLATED PER MIL-G-45204
 303 STAINLESS STEEL, PASSIVATED PER SAE-AMS-QQ-P-35
 INSULATOR MATERIAL FOR ALL METAL SHELLS IS LIQUID CRYSTAL POLYMER (LCP) PER MIL-M-24519 OR PER ASTM D5138
 PLASTIC: LIQUID CRYSTAL POLYMER (LCP) PER MIL-M-24519 OR PER ASTM D5138
2. STANDARD 1.0 X 0.25mm JACKSCREW AND MOUNTING THREADS ARE SHOWN FOR REFERENCE ONLY AND MUST BE SPECIFIED IN THE NANONICS PART NUMBER WHEN REQUIRED. 1.2 X 0.25mm THREADS ALSO AVAILABLE.
3. MOUNTING HARDWARE IS AVAILABLE WITH THIS CONFIGURATION (NOT SHOWN). HARDWARE MUST BE SPECIFIED IN THE NANONICS PART NUMBER. CONSULT TYCO ELECTRONICS FOR DETAILS.
4. LEAD MATERIAL: HH BRASS, TIN LEAD PLATED 60/40 COMPOSITION PER SAE-AMS-P-81728
5. NANONICS TERMINATION CODE: L5
6. THIS DRAWING PREVIOUSLY IDENTIFIED AS NANONICS N10138/104

| | | | | |
|--|--|------------------------------|--|--------------------|
| THIS DRAWING IS A CONTROLLED DOCUMENT. | | DWN C. SCHOLL 03-23-01 | Tyco Electronics Corporation Harrisburg, PA 17105 | |
| DIMENSIONS: INCHES | | CHK M. STORRY 03-27-01 | NAME | |
| TOLERANCES UNLESS OTHERWISE SPECIFIED: | | APVD - | PRODUCT SPEC | |
| 0 PLC ± - 1 PLC ± - 2 PLC ± .010 3 PLC ± .005 4 PLC ± - ANGLES ± 1° | | APPLICATION SPEC | | |
| MATERIAL SEE NOTES | | WEIGHT - | SIZE CAGE CODE DRAWING NO A2 00779 C=1589459 | |
| FINISH SEE NOTES | | CUSTOMER DRAWING | | RESTRICTED TO - |
| | | SCALE 8:1 | SHEET 1 OF 1 | REV C |