

THIS DRAWING IS UNPUBLISHED.

RELEASED FOR PUBLICATION

20

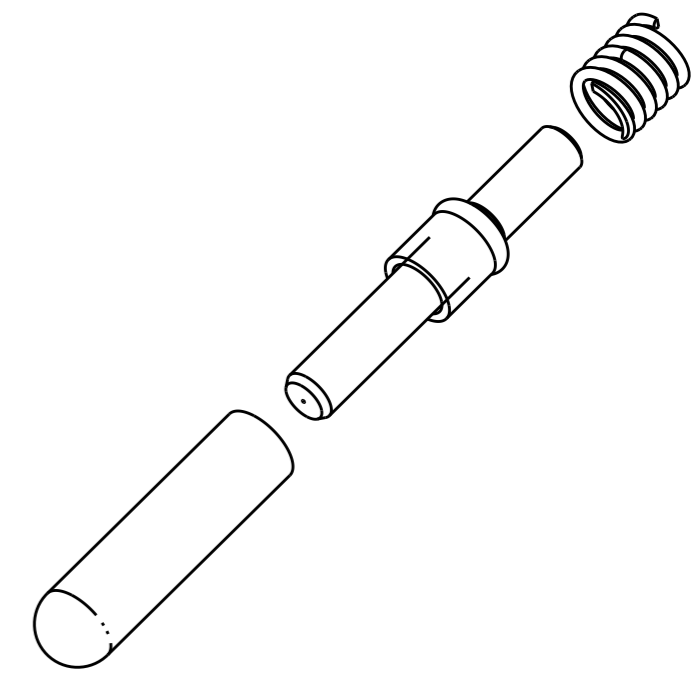
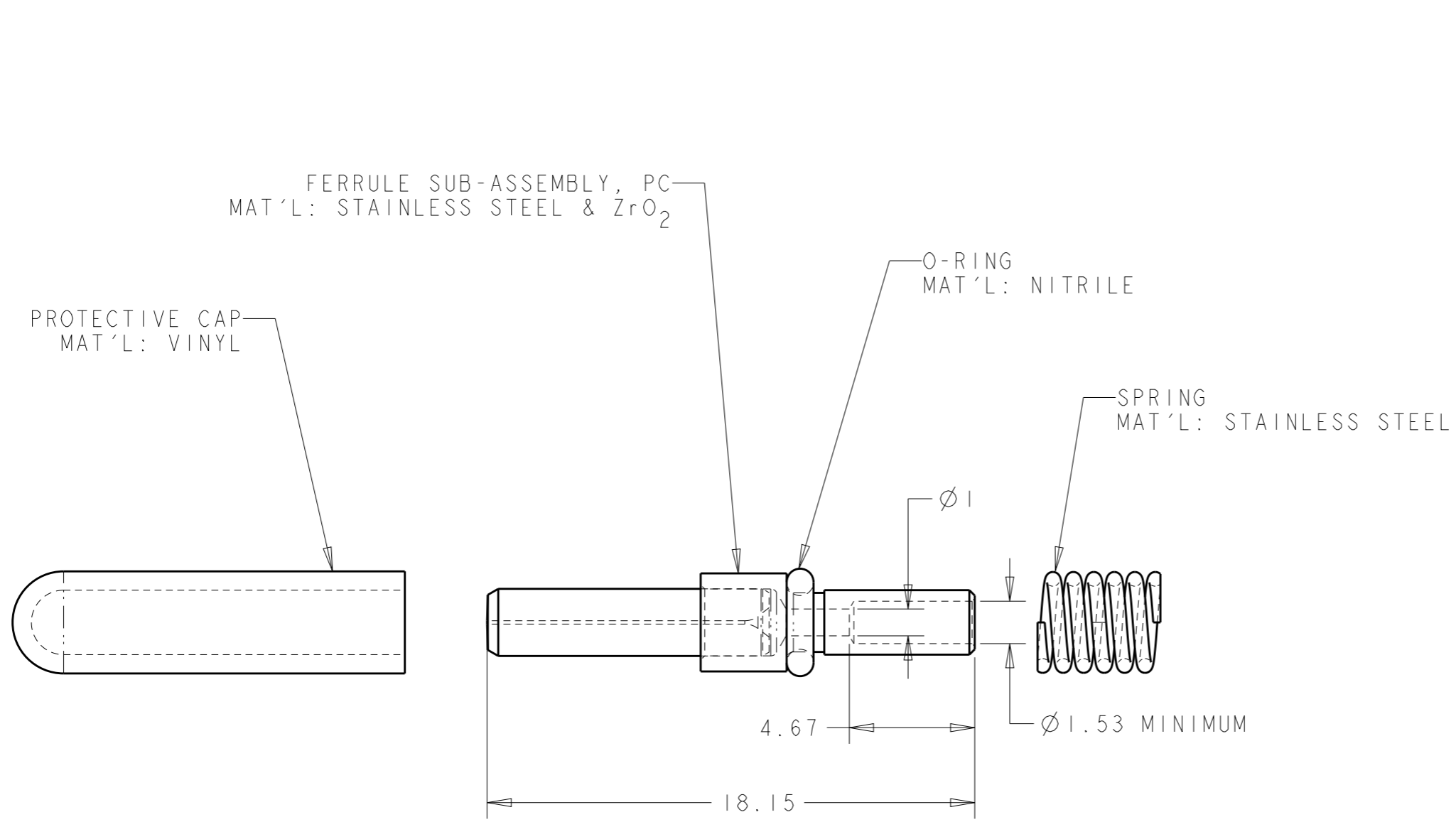
© COPYRIGHT 20 BY -

ALL RIGHTS RESERVED.

REVISIONS

P	LTR	DESCRIPTION	DATE	DWN	APVD
	B1	ECRR-15-012024	13AUG2015	KG	DW
	C	ECR-15-003024	01DEC2015	KG	DW
	D	ECR-17-000370	13JAN2017	KG	DW

1. ALL DIMENSIONS ARE FOR REFERENCE ONLY.



SCALE 3:1

125.5um	D	1588908-3
125um	D	1588908-2
126um	D	1588908-1
FIBER HOLE DIAMETER	PART REVISION	PART NUMBER

THIS DRAWING IS A CONTROLLED DOCUMENT.

DIMENSIONS: mm		TOLERANCES UNLESS OTHERWISE SPECIFIED:	
		0 PLC	±-
		1 PLC	±-
		2 PLC	±-
		3 PLC	±-
		4 PLC	±-
MATERIAL AS LISTED		FINISH N/A	

DWN	K. GLATFELTER	31 JAN 2003
CHK	D. WERTMAN	31 JAN 2003
APVD	D. WERTMAN	31 JAN 2003
PRODUCT SPEC	-	
APPLICATION SPEC	-	
WEIGHT	-	
CUSTOMER DRAWING		

STE TE Connectivity			
NAME FERRULE KIT, SEALED, SINGLEMODE, PRO BEAM JR.			
SIZE	CAGE CODE	DRAWING NO	RESTRICTED TO
A3	-	1588908	-
SCALE 5:1		SHEET 1 OF 1	REV D