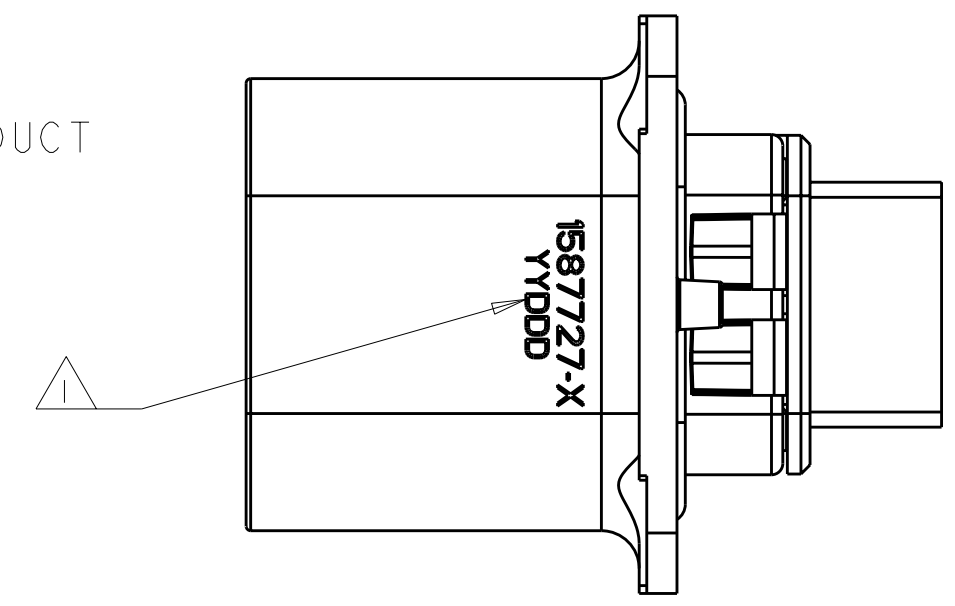
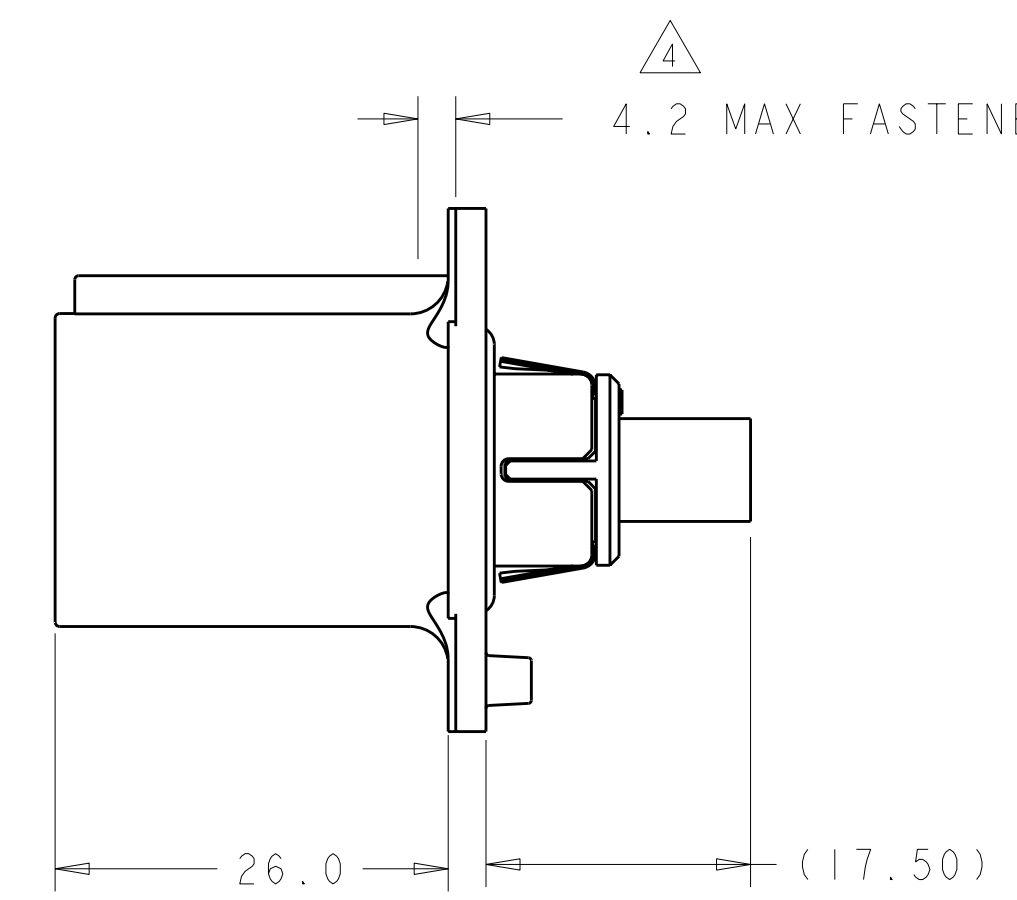
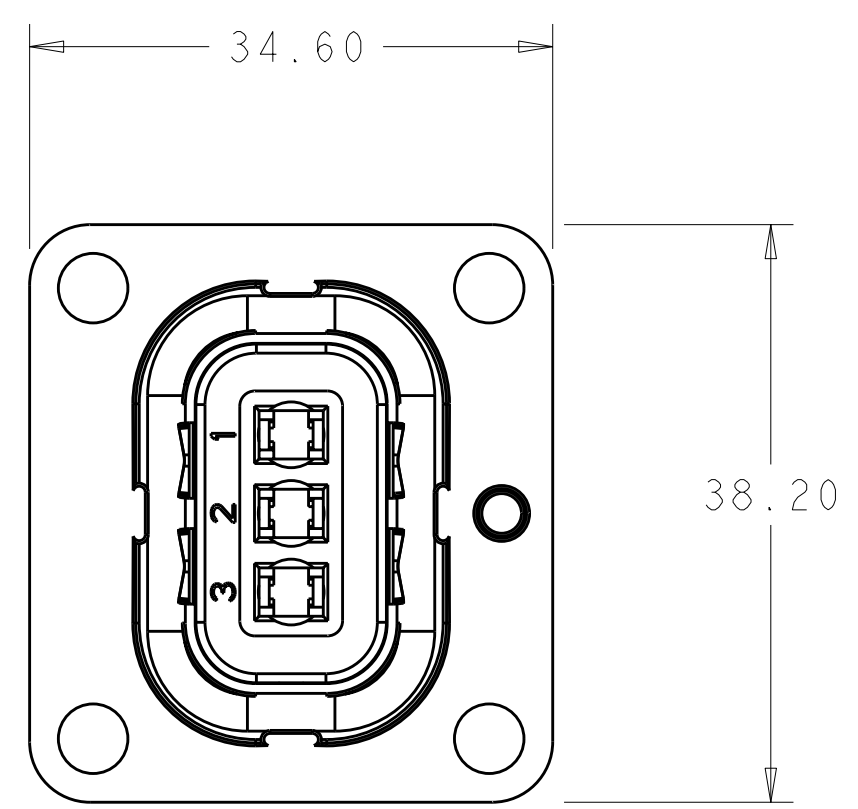
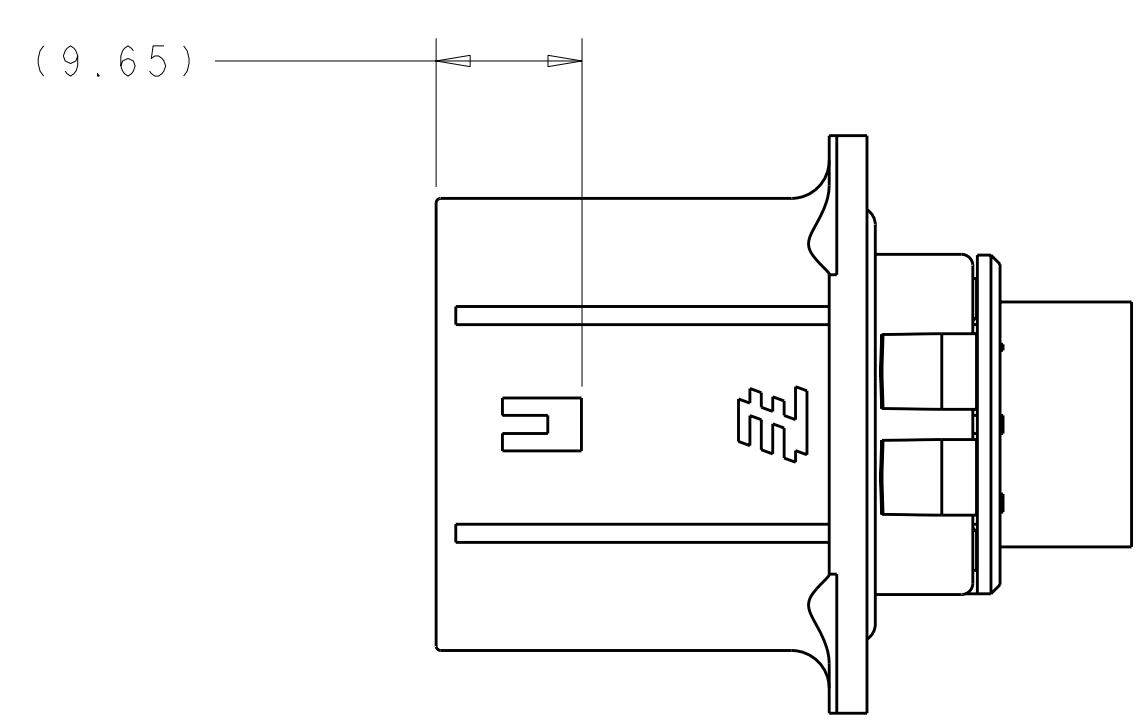
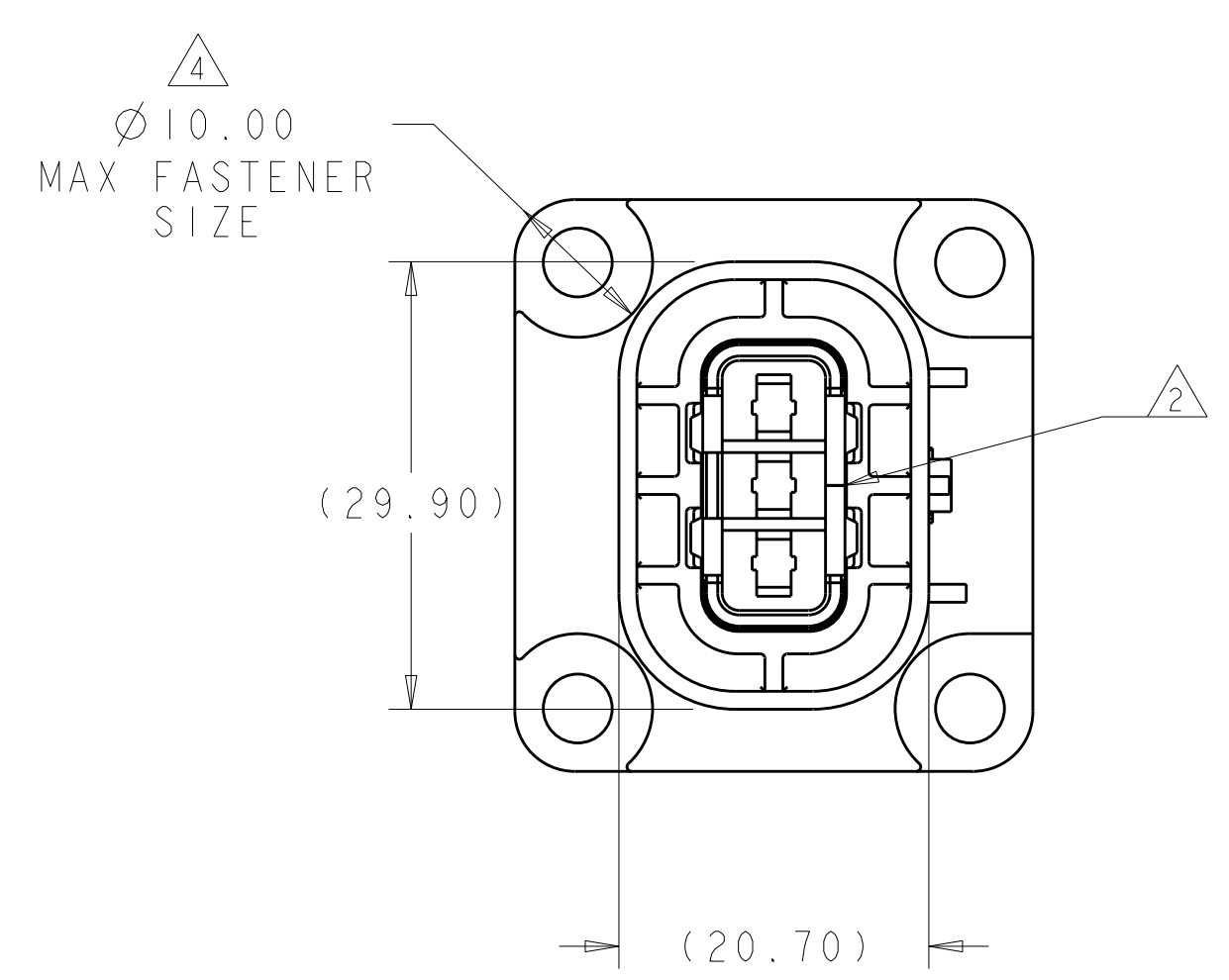
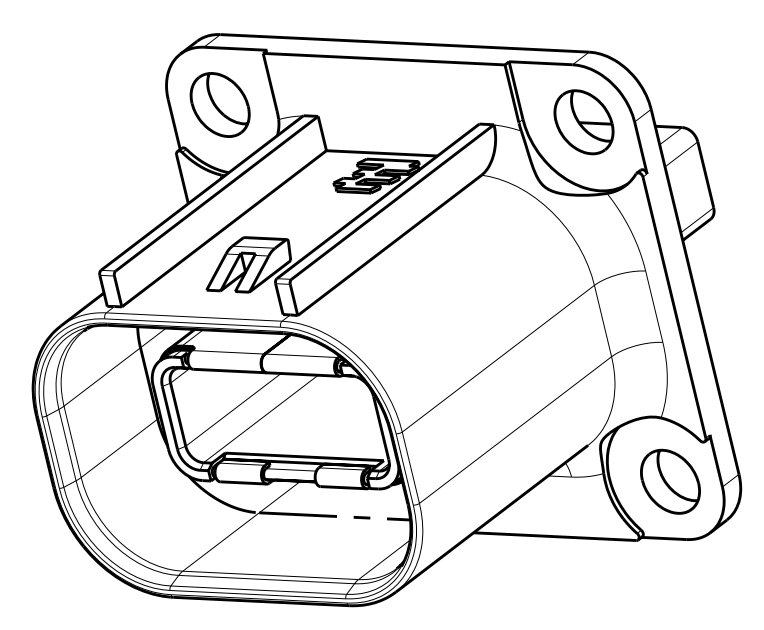
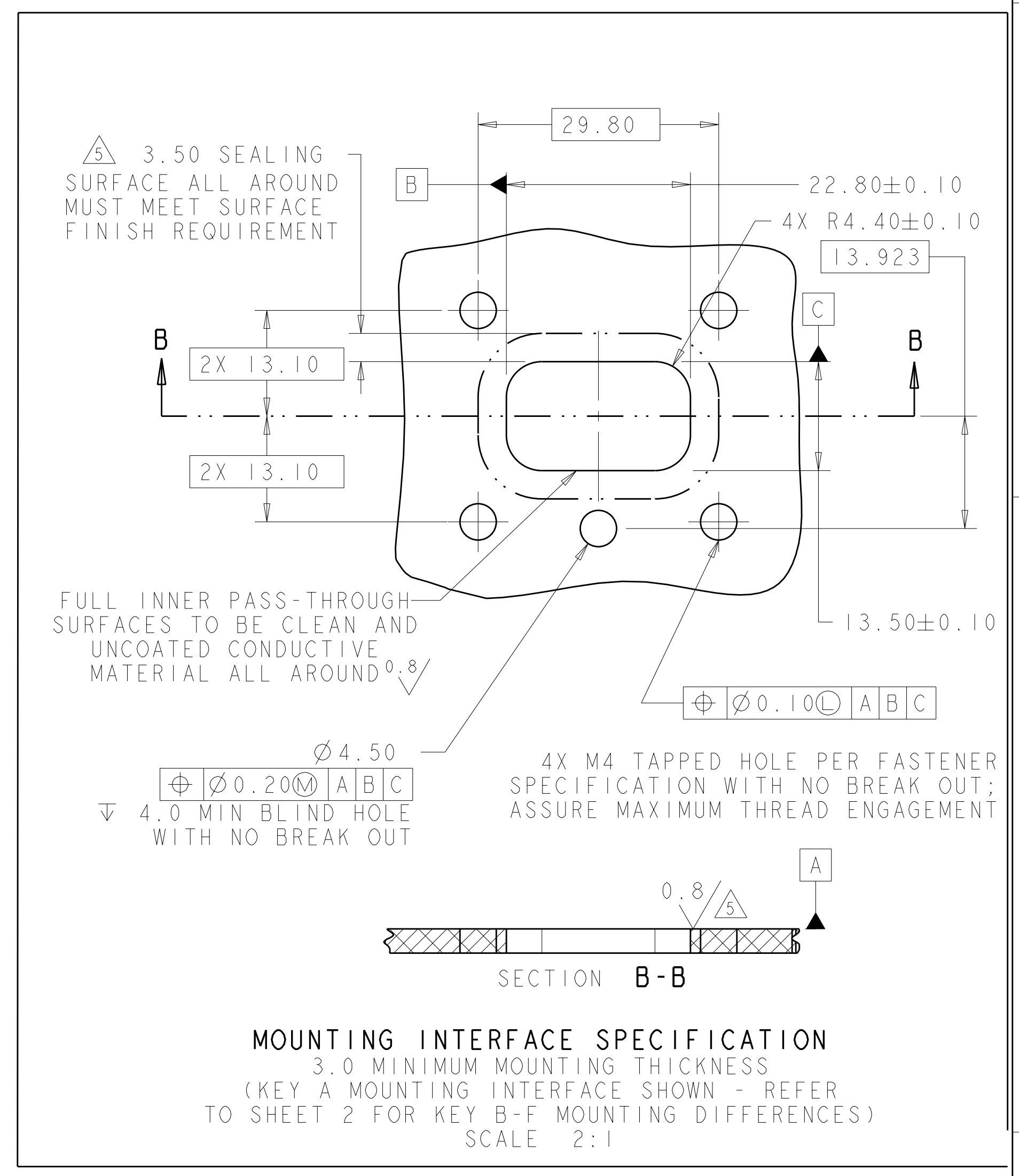


LOC	DIST	REV	DATE	BY	CHKD	APVD
HV	00	C1	13OCT2011	DS	TD	



- 1 IDENTIFICATION MARKING ON THIS SURFACE CONTAINS ASSEMBLY P/N AND DATE CODE (YYDD). TEXT ORIENTATION, SIZE, AND LOCATION CAN VARY AS LONG AS TEXT IS ON SURFACE SHOWN AND READABLE.
- 2 SHIELD SEAM CAN BE POSITIONED AS SHOWN OR ROTATED 180° FROM POSITION SHOWN.
- 3 PRELIMINARY PART - NOT RELEASED FOR PRODUCTION
- 4 THESE DIMENSIONS DEFINE FASTENER SIZE LIMITS FOR PROPER COMPONENT FUNCTIONALITY. THESE ARE NOT PRODUCT FEATURES - NO INSPECTION REQUIRED FOR THESE ITEMS.



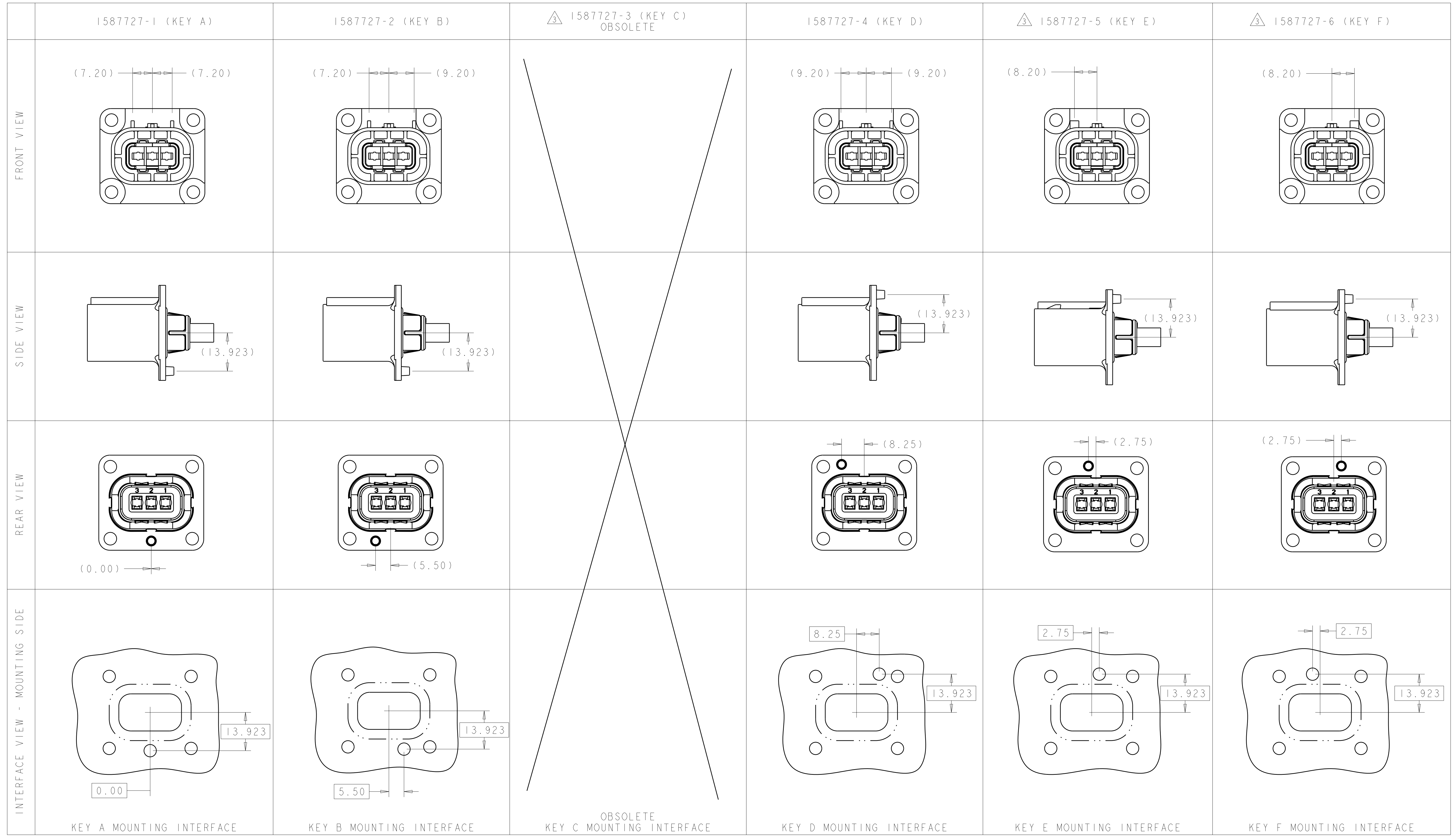
KEY	PART NO
F	1587727-6
E	1587727-5
D	1587727-4
C	1587727-3
B	1587727-2
A	1587727-1

INDEX PART NO

THIS DRAWING IS A CONTROLLED DOCUMENT.		OWN: D. SIMPSON	DATE: 31 JAN 2008
DIMENSIONS: mm		CHK: T. DEWILTE	NAME: HVA 280 3P HEADER ASSY
TOLERANCES UNLESS OTHERWISE SPECIFIED:		APVD: T. DEWILTE	DATE: 01 APR 2008
0 PLC	±0.5	PRODUCT SPEC	108-2395
1 PLC	±0.10	APPLICATION SPEC	408-10273
2 PLC	±0.013	WEIGHT	24.26 g
3 PLC	±0.0001	CUSTOMER DRAWING	
4 PLC	±0.0001	FINISH	
ANGLES	±0.0001		

SCALE 2:1 SHEET 1 OF 2

LOC	DIST	REVISIONS			
REV	DATE	DESCRIPTION	DATE	BY	APPD
00		SEE SHEET 1			



THIS DRAWING IS A CONTROLLED DOCUMENT.		DWN: D. SIMPSON 31JAN2008	STE TE Connectivity
DIMENSIONS: mm		CHK: T. DEWILTE	
TOLERANCES UNLESS OTHERWISE SPECIFIED:		APVD: T. DEWILTE 01APR2008	NAME: HVA 280 3P HEADER ASSY
9 PLC ±0.5		PRODUCT SPEC: 108-2395	CHART DRAWING
3 PLC ±0.10		APPLICATION SPEC: 408-10273	SIZE: CAGE CODE DRAWING NO. RESTRICTED TO
5 PLC ±0.013		WEIGHT: 24.26 g	A100779C=1587727
4 PLC ±0.0001		CUSTOMER DRAWING	SCALE: 2:1 SHEET 2 OF 2 REV: C1
ANGLES ±0.0001			
FINISH: -			