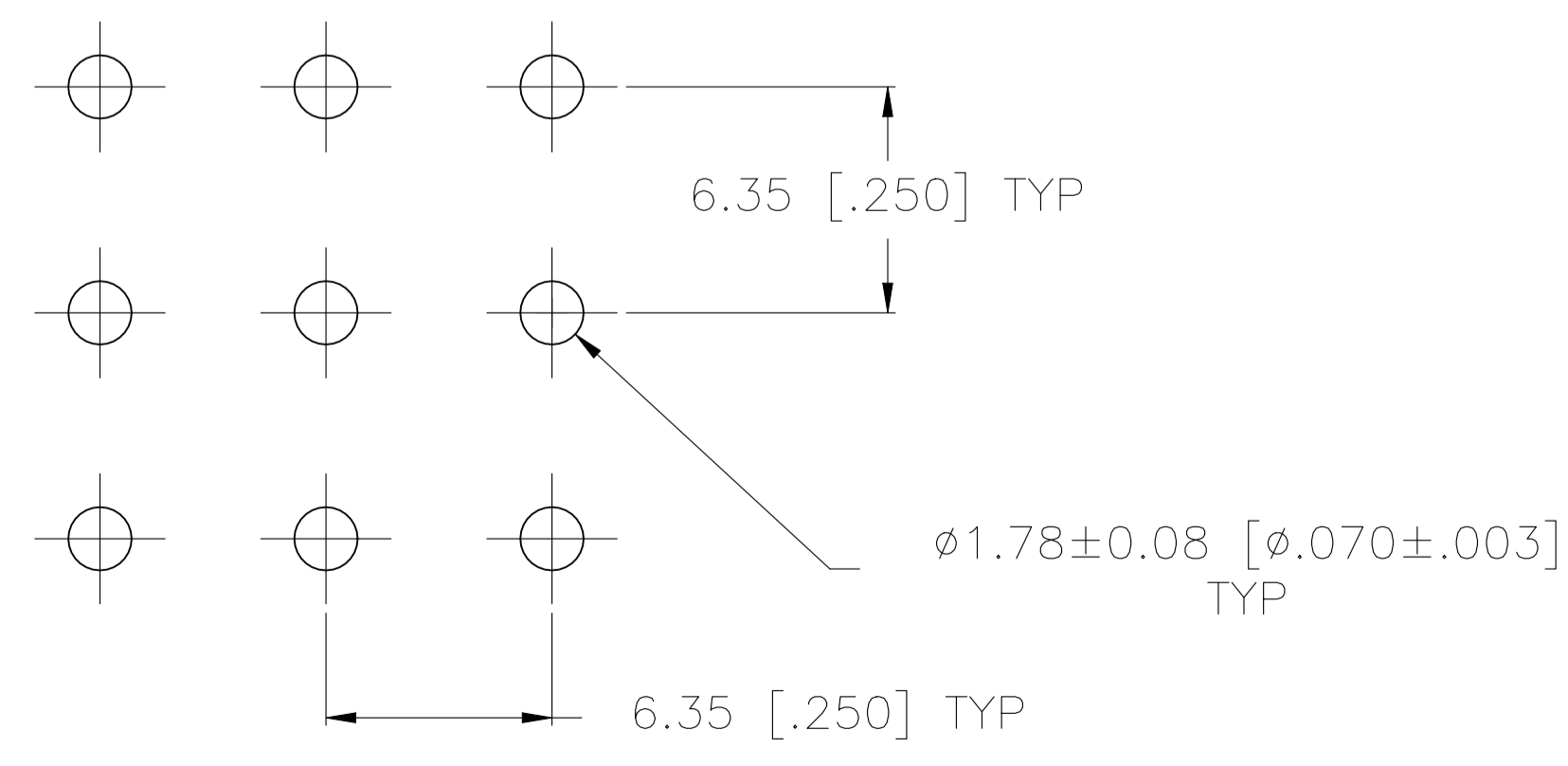
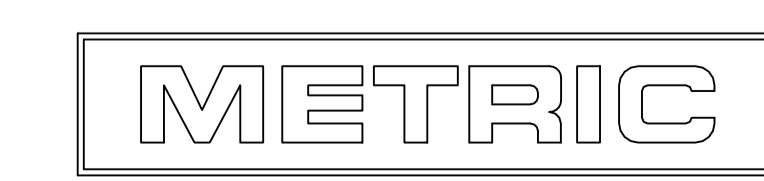


- PARTS MUST COMPLY WITH AMP SOLDERABILITY SPEC 109-11-3.
- CIRCUIT IDENTIFICATION CHARACTERS ARE ADJACENT TO THE INDICATED CAVITIES, BUT LOCATION AND ORIENTATION MAY DIFFER FROM PRINT.
- FLAMMABILITY V2 FOR THICKNESS 0.38mm, 1.5mm, and 3.0mm PER IEC 60695-11-10.
- GLOW-WIRE FLAMMABILITY (GWFI) 800°C FOR THICKNESS 0.38mm AND 0.75mm PER IEC 60695-2-12.
- GLOW-WIRE FLAMMABILITY (GWFI) 960°C FOR THICKNESS 1.5mm AND 3.0mm PER IEC 60695-2-12.
- GLOW-WIRE IGNITION (GWIT) 825°C FOR THICKNESS 0.38mm, 0.75mm, 1.5mm AND 3.0mm PER IEC 60695-2-13.
- DIMENSIONS SHOWN REPRESENT PRODUCT IN DRY CONDITION. ADDITIONAL 2% GROWTH DUE TO END USE LOCATION MOISTURE ABSORPTION MAY OCCUR AND SHOULD BE ACCOUNTED FOR.



RECOMMENDED LAYOUT FOR 1.58 [.062] THICK PC BOARD

PH BRZ TIN	NYLON, NATURAL	1586879-1
CONTACT	HOUSING	PART NO



THIS DRAWING IS A CONTROLLED DOCUMENT.		OWN: K. WHITAKER 17JUN2008	TE Connectivity
DIMENSIONS: mm [INCHES]		CHK: D. COLEY 17JUN2008	
TOLERANCES UNLESS OTHERWISE SPECIFIED:		APVD: D. COLEY 17JUN2008	
0 PLC ± 1 PLC ± 2 PLC ± 3 PLC ± 0.13 [.005] 4 PLC ± ANGLES # FINISH* #		NAME: 9 CIRCUIT UNIVERSAL MATE-N-LOK (TM) P.C. BOARD SOCKET HEADER ASSEMBLY	
MATERIAL: SEE TABLE	APPLICATION SPEC: ---	SIZE: A1	RESTRICTED TO: ---
CUSTOMER DRAWING		WEIGHT: ---	SCALE: 5:1
		DRAWING NO: 00779	SHEET 1 OF 1
		REV: C1	