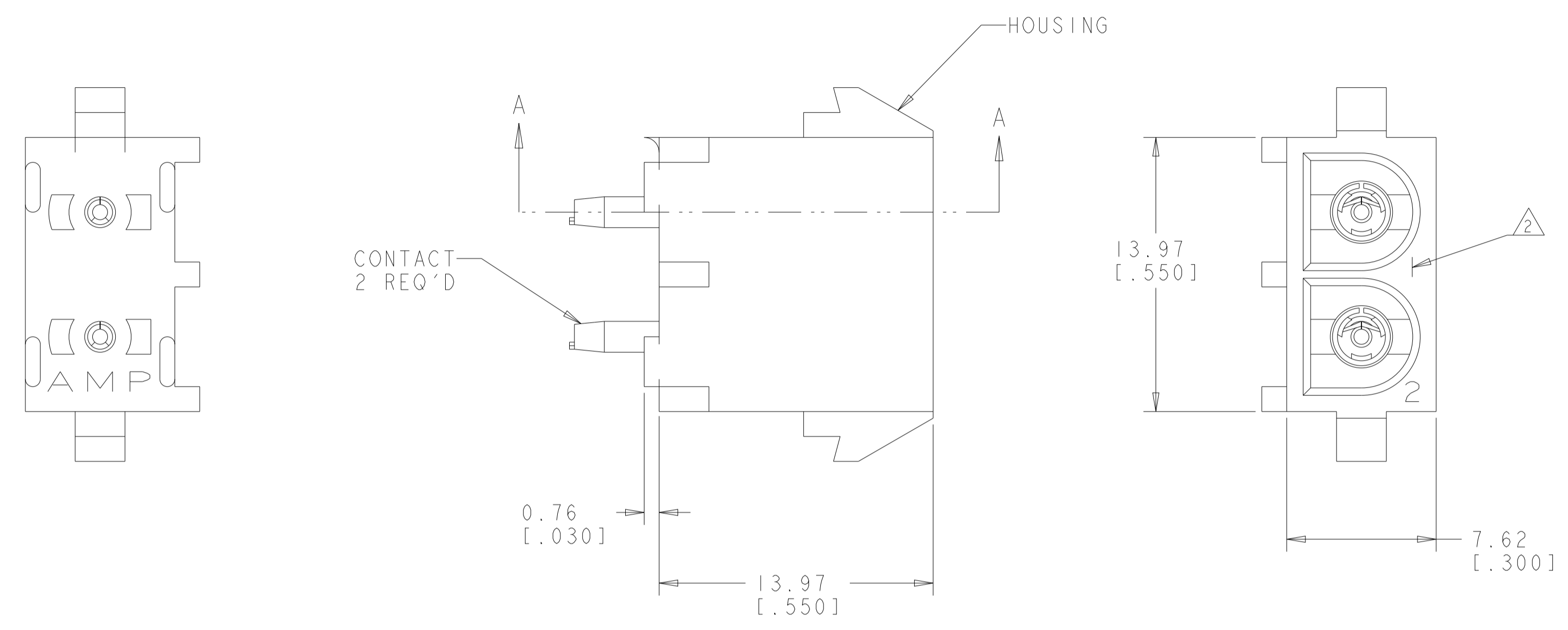
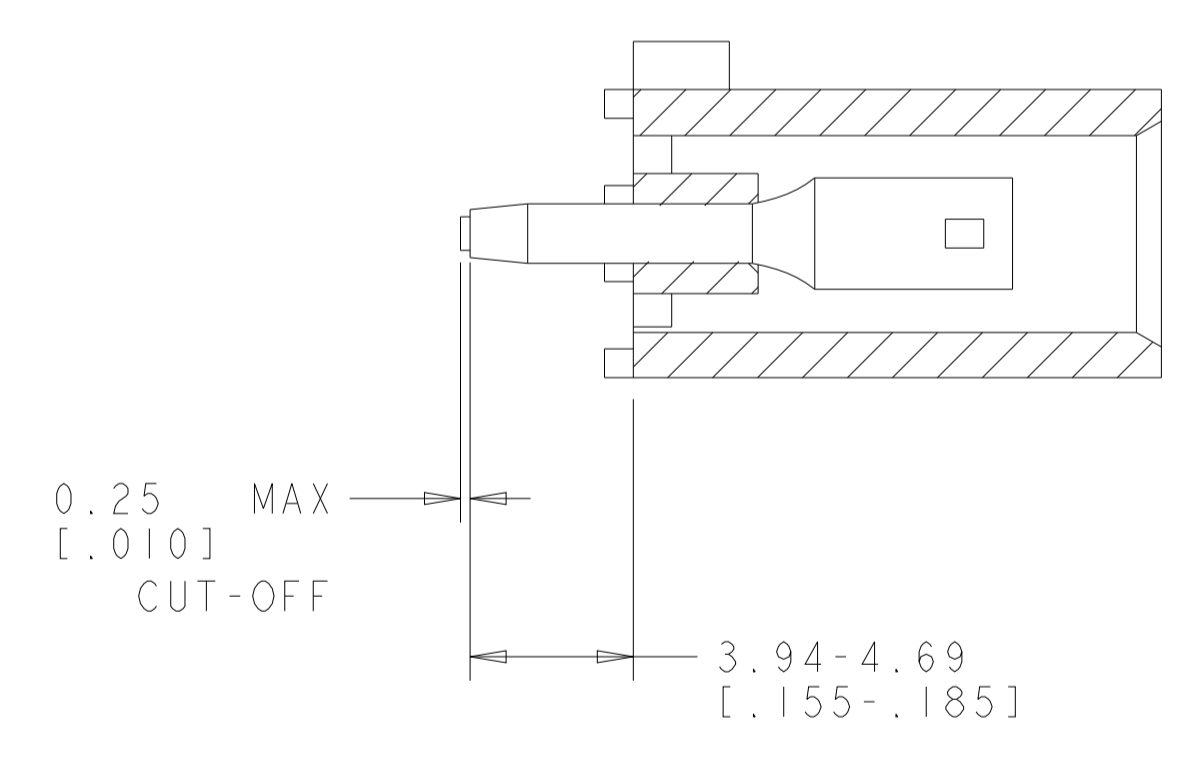


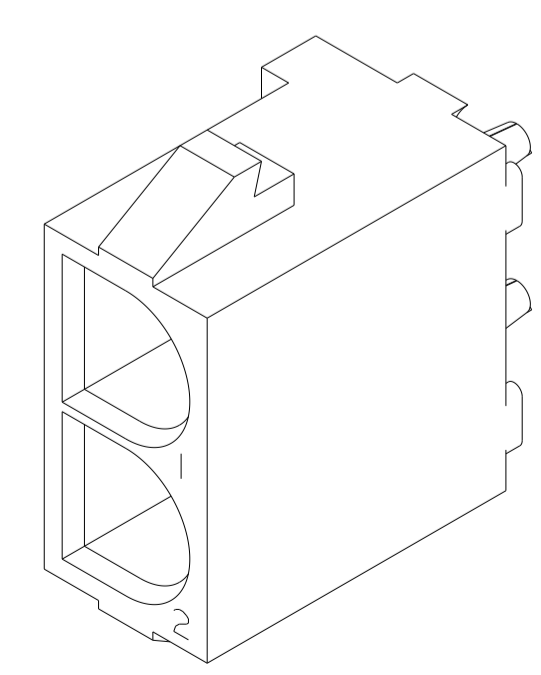
LOC		DIST		REVISIONS			
P	LTN	DESCRIPTION	DATE	DWN	APVD		
B		REV PER ECR 10-018921	15SEP110	JR	TM		
B1		REVISED PER ECR-21-118133	22OCT2021	SS	VS		



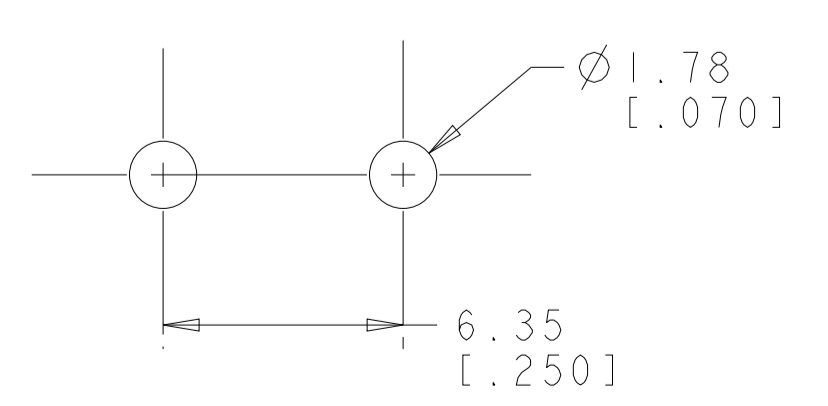
- PARTS COMPLY TO TYCO ELECTRONICS SOLDERABILITY SPECIFICATION 109-11-2.
- CIRCUIT IDENTIFICATION CHARACTERS ARE ADJACENT TO THE INDICATED CAVITIES, BUT LOCATION AND ORIENTATION MAY DIFFER FROM PRINT.
- DIMENSIONS IN BRACKETS ARE IN INCHES.
- FLAMMABILITY V-2 FOR THICKNESS 0.38mm, 0.75mm, 1.5mm AND 3.0mm PER IEC 60695-11-10.
- GLOW-WIRE FLAMMABILITY (GWFI) 800°C FOR THICKNESS 0.38mm AND 0.75mm PER IEC 60695-2-12.
- GLOW-WIRE FLAMMABILITY (GWFI) 960°C FOR THICKNESS 1.5mm AND 3.0mm PER IEC 60695-2-12.
- GLOW-WIRE IGNITION (GWIT) 825°C FOR THICKNESS 0.38mm 0.75mm, 1.5mm, AND 3.0mm PER IEC 60695-2-13.
- DIMENSIONS SHOWN REPRESENT PRODUCT IN DRY CONDITION. ADDITIONAL 2% GROWTH DUE TO END USE LOCATION MOISTURE ABSORPTION MAY OCCUR AND SHOULD BE ACCOUNTED FOR.



SECTION A-A



3 DIMENSIONAL VIEW
SCALE 4:1



RECOMMENDED MOUNTING HOLE PATTERN
FOR 1.57 [.062] THICK P.C. BOARD

PHOSPOR BRONZE, PRE-TIN CONTACT MATERIAL AND FINISH		NYLON, UL94V-2, NATURAL HOUSING MATERIAL AND COLOR		1586866-1 PART NUMBER
<small>THIS DRAWING IS TO BE USED IN CONJUNCTION WITH TYCO ELECTRONICS CORPORATION'S STANDARD DRAWING CONVENTIONS AND DIMENSIONING PRACTICES. DIMENSIONS SHOULD BE CONTACTED FOR THE LATEST REVISION.</small>		DWN K. WHITAKER 12MAR2008	Tyco Electronics Harrisburg, PA 17105-3608	
DIMENSIONS: mm [INCHES]		CHK D. COLEY 12MAR2008	NAME SOCKET HEADER ASSEMBLY, 2 CIRCUIT, W/DRAIN HOLES, UNIVERSAL MATE-N-LOK(TM)	
TOLERANCES UNLESS OTHERWISE SPECIFIED: 0 PLC ± 1 PLC ± 2 PLC ±0.131(.005) 3 PLC ± 4 PLC ± ANGLES ±40°30' FINISH SEE TABLE		APVD D. COLEY 12MAR2008	APPLICATION SPEC PRODUCT SPEC SIZE CAGE CODE DRAWING NO RESTRICTED TO A 00779 C=1586866	
MATERIAL SEE TABLE		WEIGHT		CUSTOMER DRAWING SCALE 5:1 SHEET 1 OF 1 REV B1

