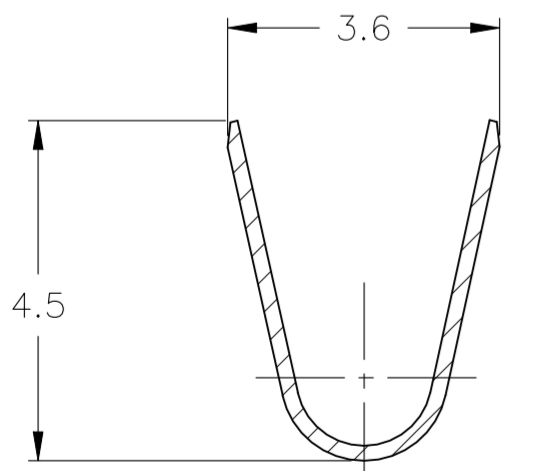
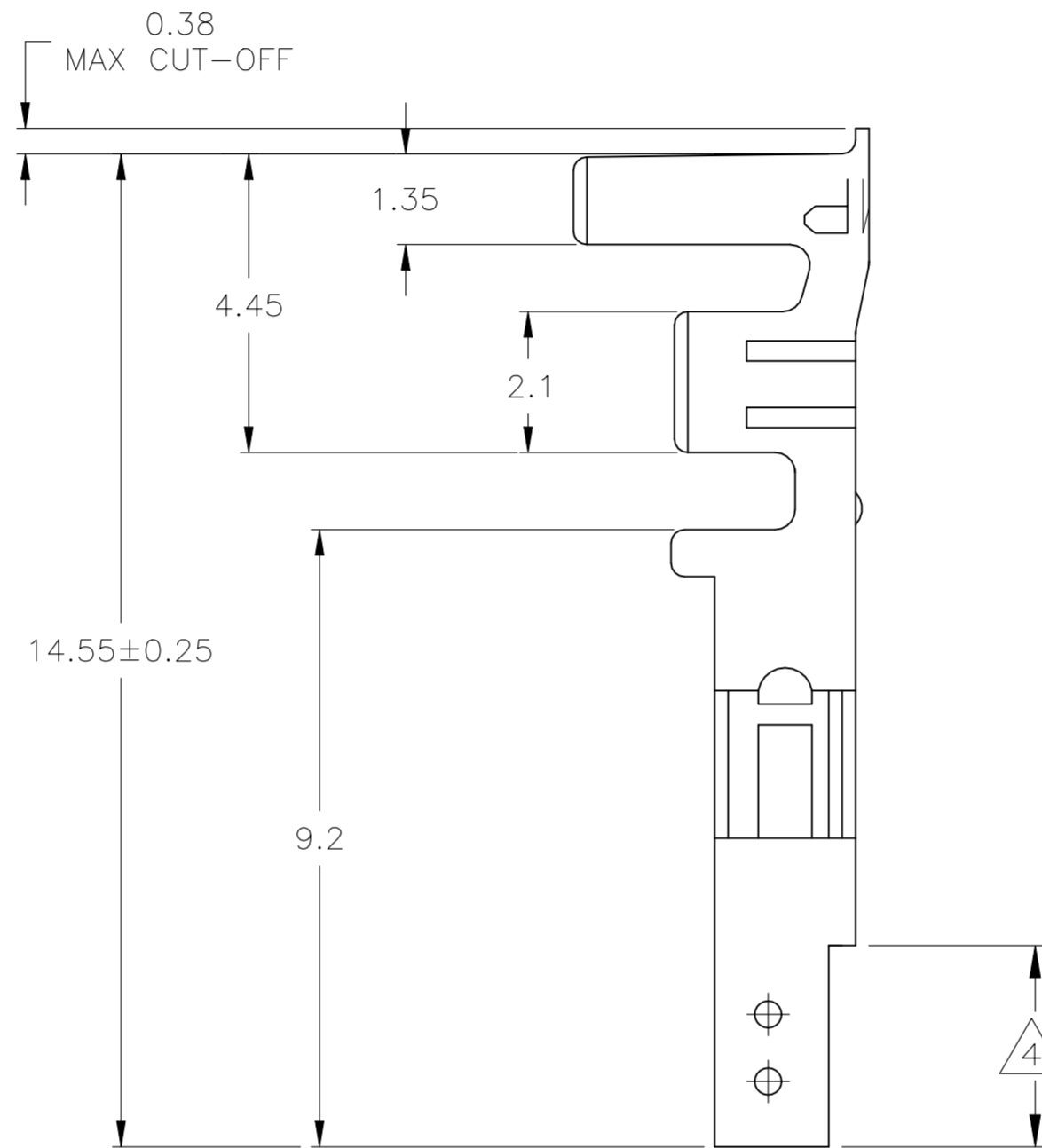
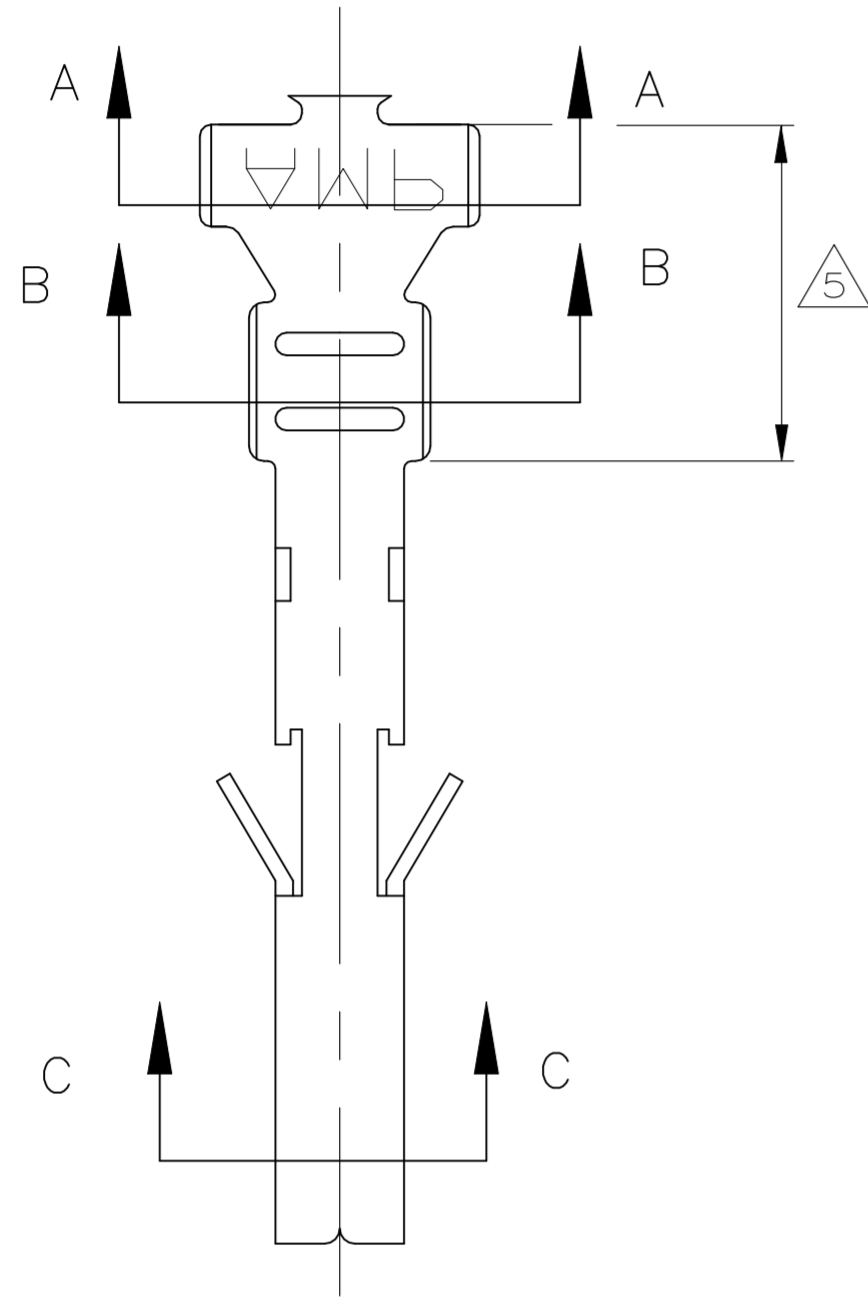


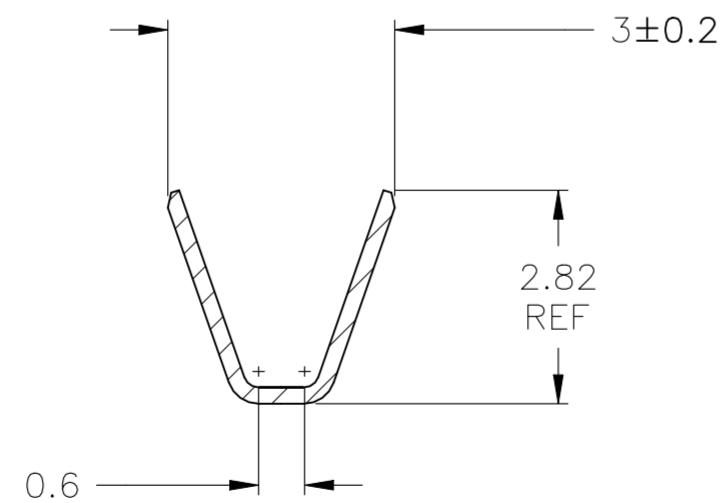
THIS DRAWING IS UNPUBLISHED. RELEASED FOR PUBLICATION
 © COPYRIGHT - By - ALL RIGHTS RESERVED.

REVISIONS					
P	LTR	DESCRIPTION	DATE	DWN	APVD
B4		REVISED PER ECR-23-173068	13DEC2023	P.C	D.Z

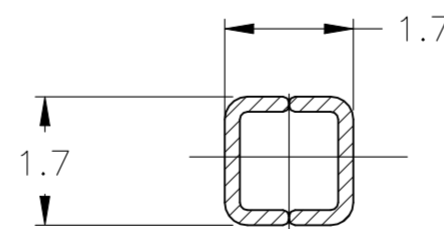
- 1 WIRE RANGE: 1.31mm² (16 AWG).
- 2 INSULATION RANGE: DIA 1.80-3.10 mm
- 3 FINISH: 1.27µm MIN NICKEL ALL OVER
- 4 FINISH: 0.76µm MIN GOLD ON INNER SURFACE, PERMITTED ON OUTER SURFACE.
- 5 FINISH: 2.54µm MIN TIN ON ALL SURFACES IN THIS AREA.
- 6 FINISH: 2.54µm MINIMUM PRE-TIN OVERALL



SECTION A-A



SECTION B-B



SECTION C-C

GOLD	3 4 5	PHOS. BRZ.	1586841-4
PRE-TIN	6	PHOS. BRZ.	1586841-3
GOLD	3 4 5	BRASS	1586841-2
PRE-TIN	6	BRASS	1586841-1
FINISH:		MATERIAL:	PART NO.

THIS DRAWING IS A CONTROLLED DOCUMENT.		DWN K. WHITAKER 04APR2007			
DIMENSIONS: mm [INCHES]		CHK C. CASH 04APR2007			
TOLERANCES UNLESS OTHERWISE SPECIFIED:		APVD C. CASH 04APR2007	NAME		
0 PLC ±		PRODUCT SPEC	108-2112		
1 PLC ± 0.2		APPLICATION SPEC	114-13172		
2 PLC ± 0.13		WEIGHT	SIZE	CAGE CODE	DRAWING NO
3 PLC ±		SEE TABLE	A2	00779	C=1586841
4 PLC ±		SEE TABLE	CUSTOMER DRAWING		
ANGLES ±		FINISH	SCALE	SHEET	REV
FINISH		SEE TABLE	10:1	1 of 1	B4