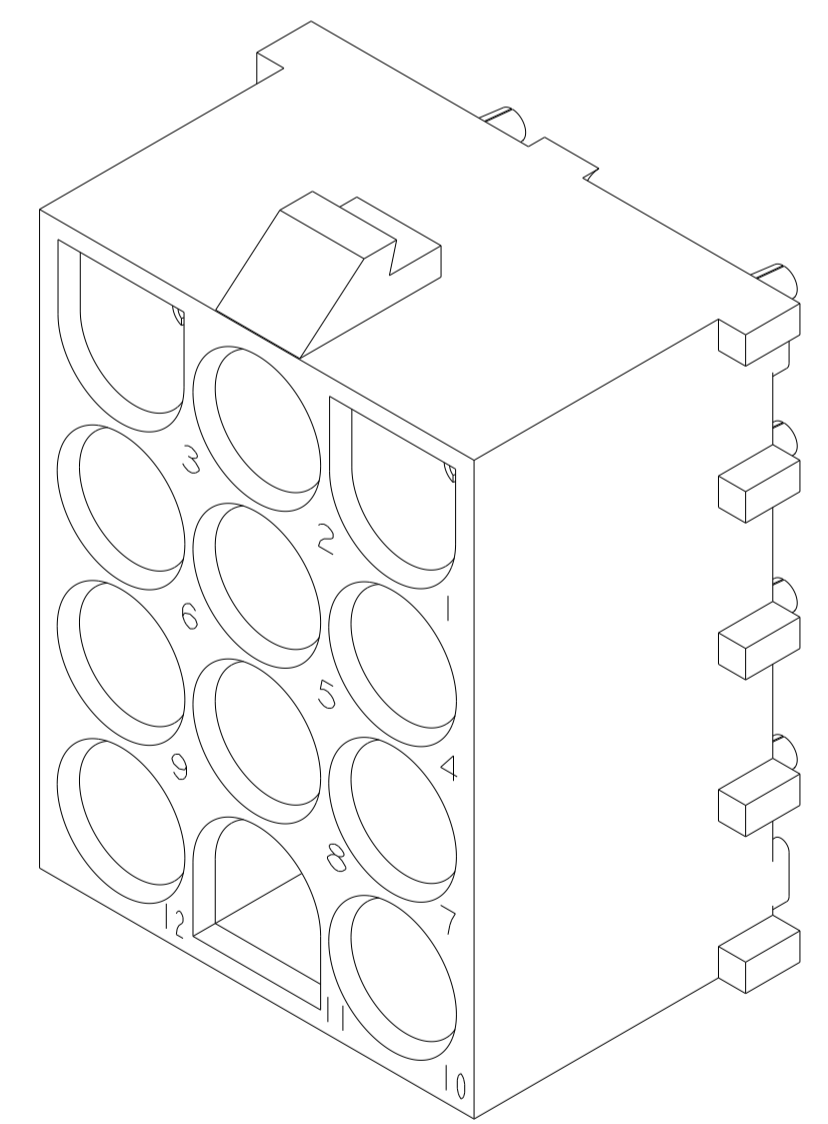
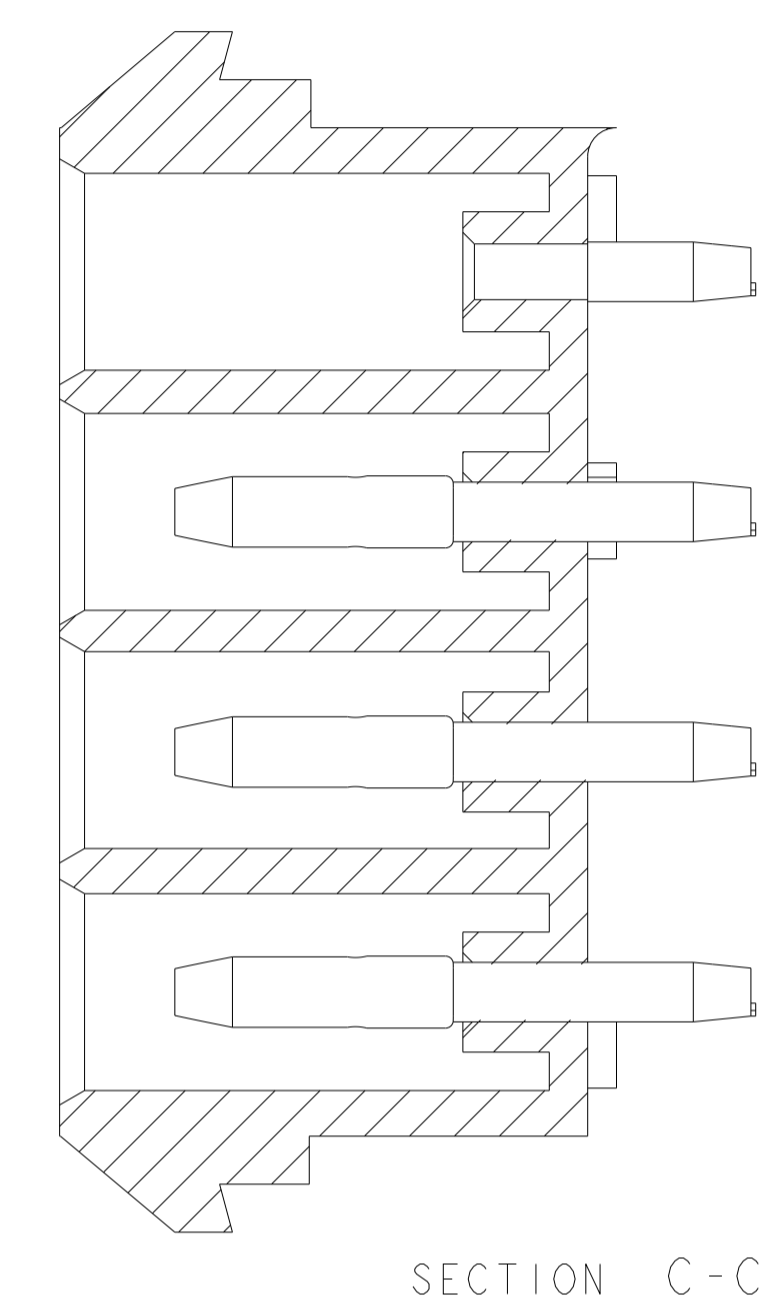
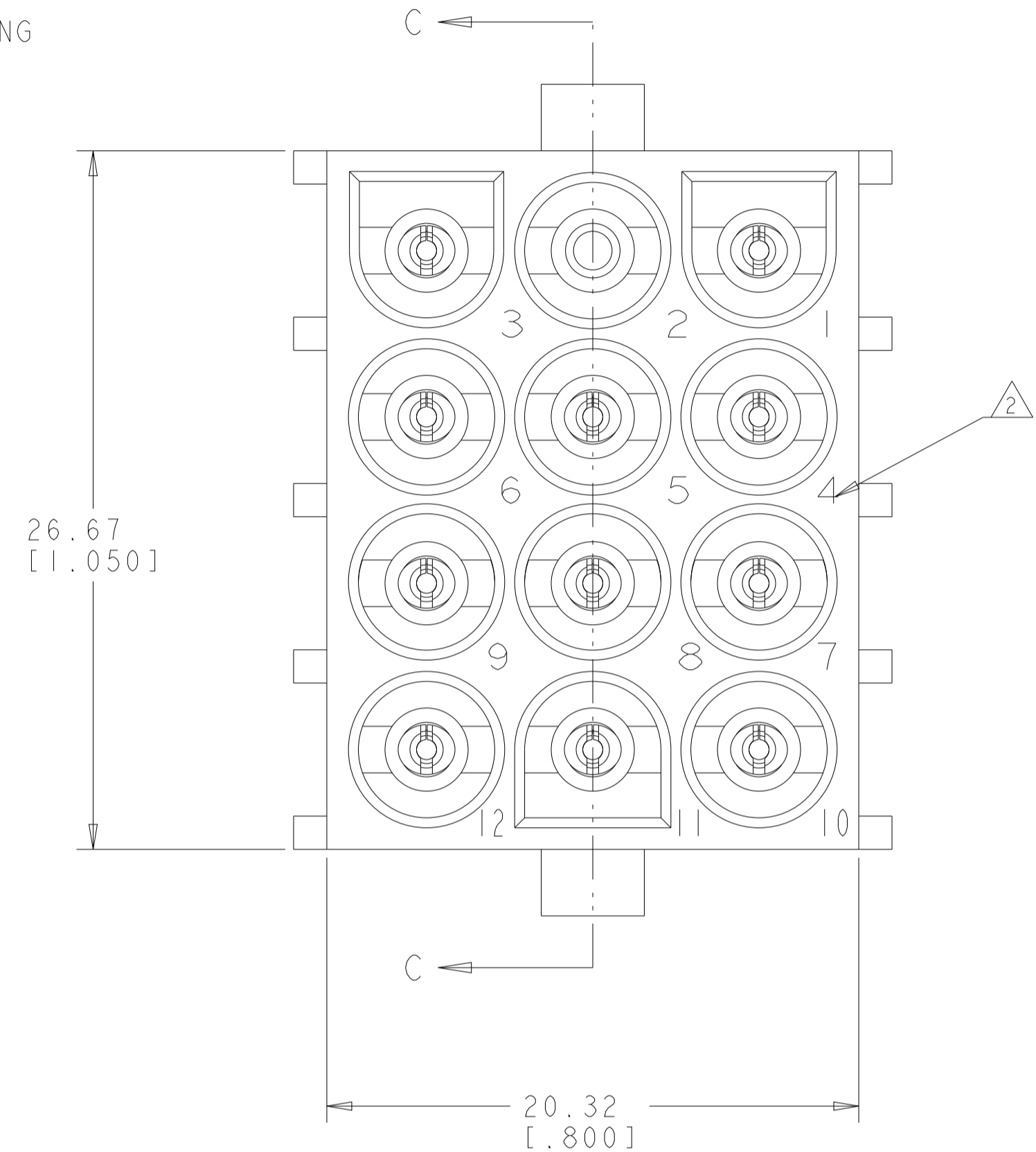
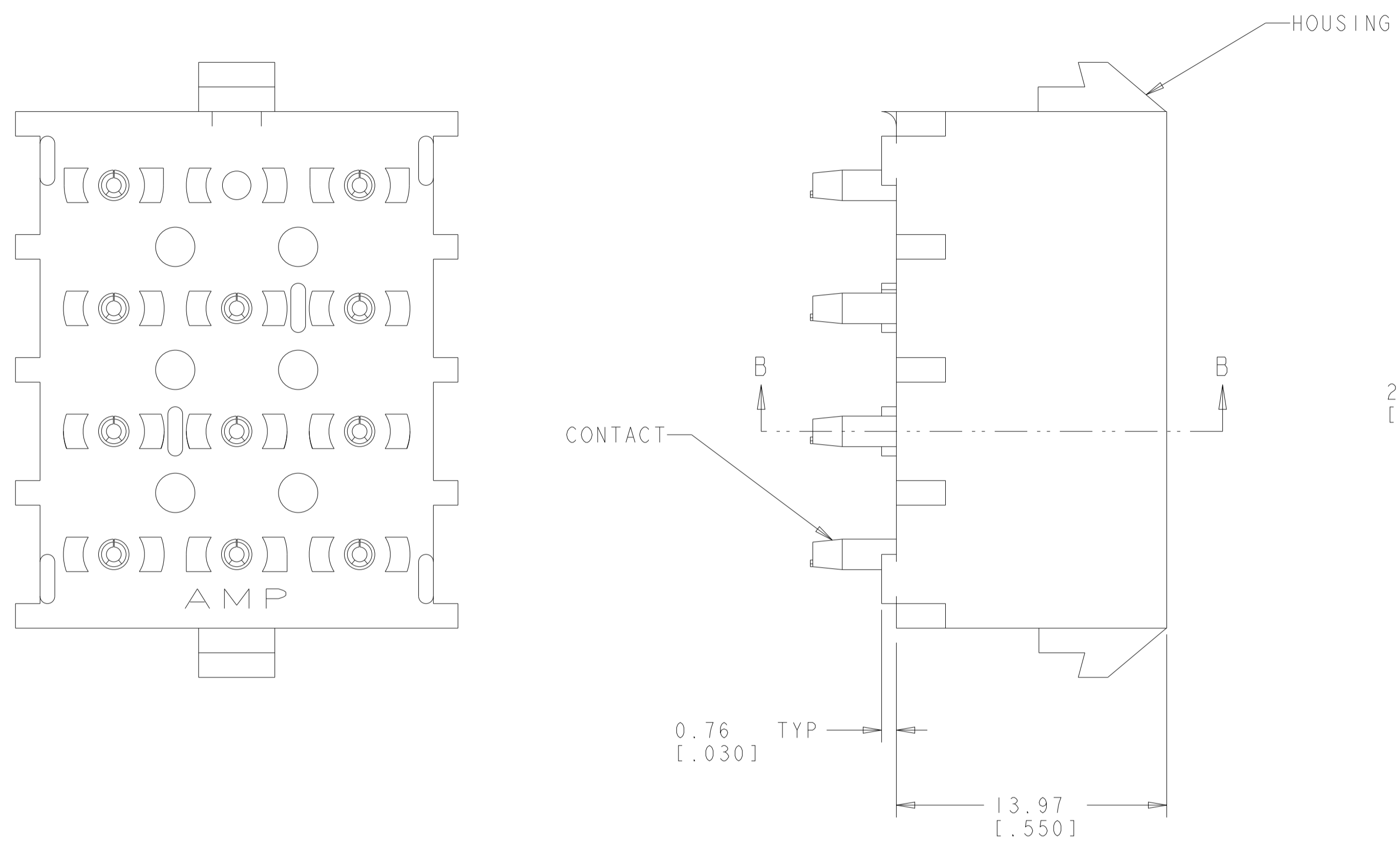
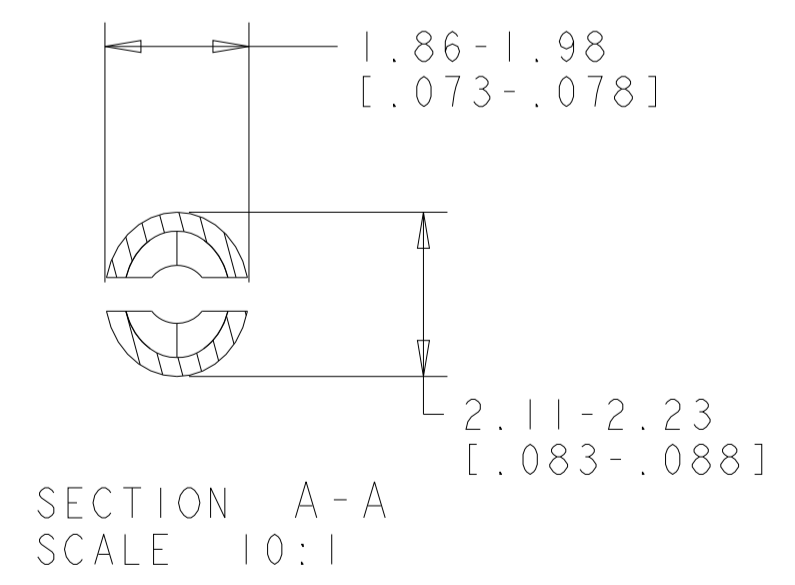
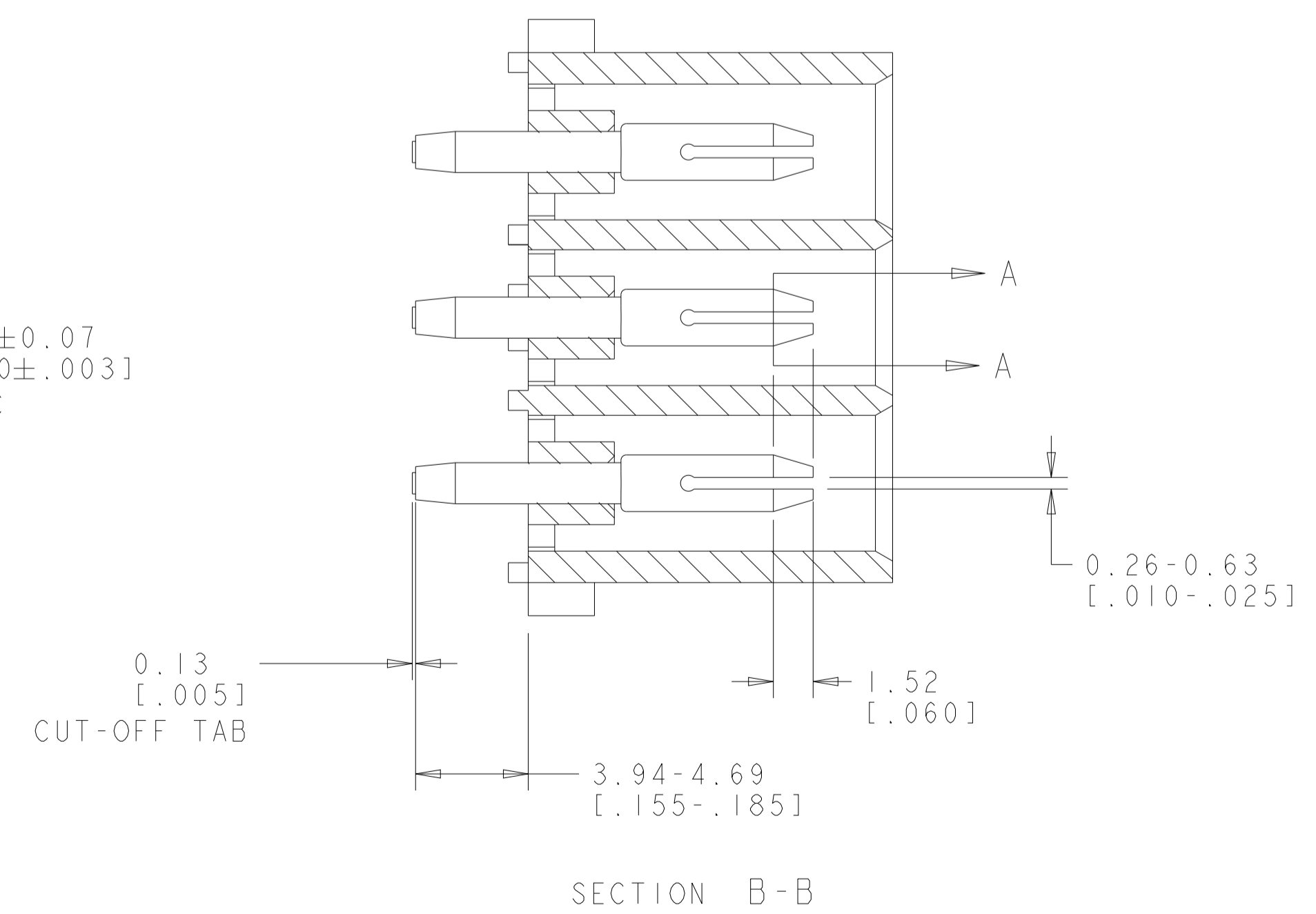
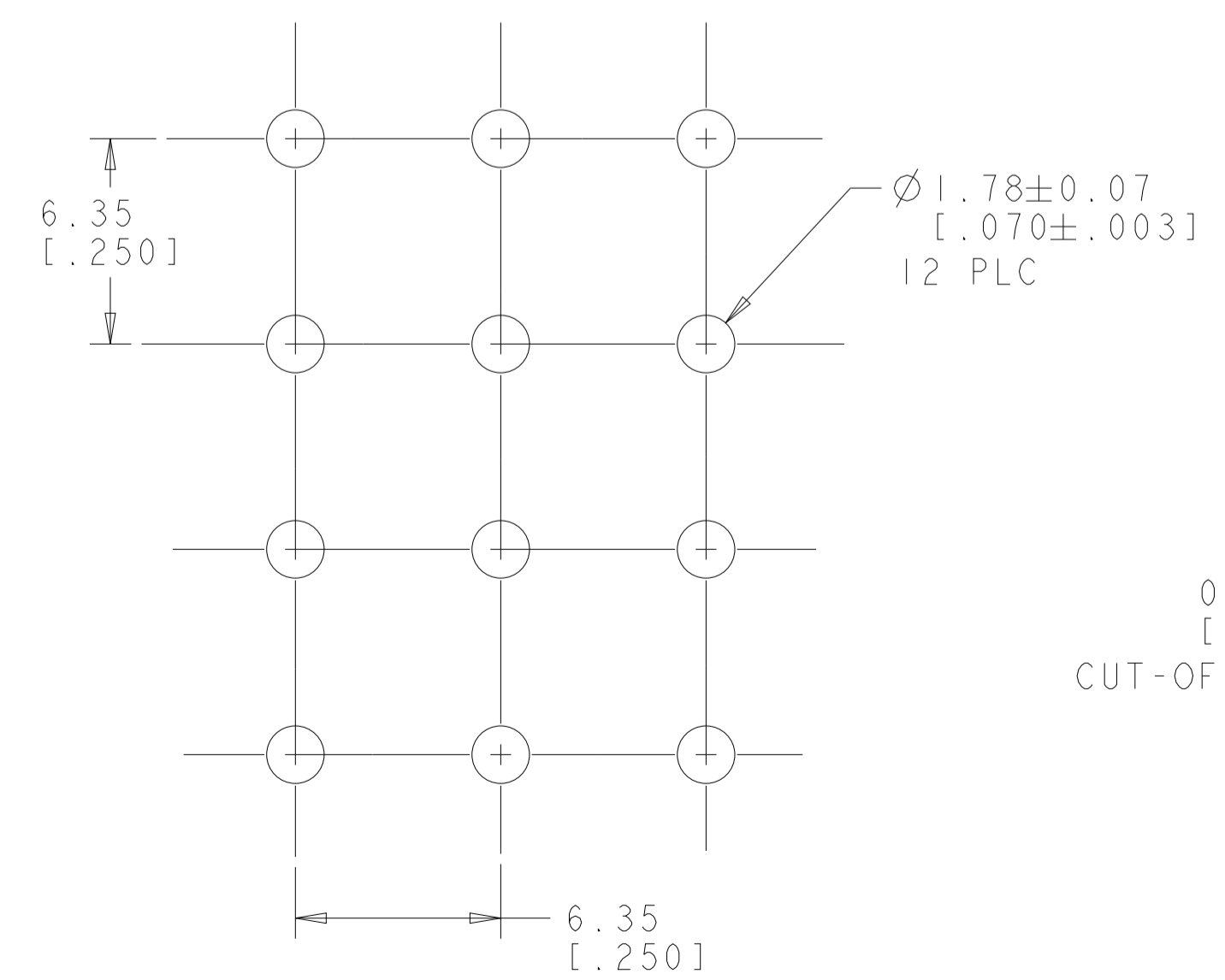


LOC		DIST		REVISIONS			
CM	00	P	LTN	DESCRIPTION	DATE	DWN	APVD
		A		RELEASED PER WR-05-27	04MAY05	KW	SR
		A1		REVISED PER ECR-21-119230	05NOV2021	SS	VS

- PARTS COMPLY TO AMP SOLDERABILITY SPECIFICATION 109-11-3.
- CIRCUIT IDENTIFICATION CHARACTERS ARE ADJACENT TO THE INDICATED CAVITIES, BUT LOCATION AND ORIENTATION MAY DIFFER FROM PRINT.
- DIMENSIONS IN BRACKETS ARE IN INCHES.
- DIMENSIONS SHOWN REPRESENT PRODUCT IN DRY CONDITION. ADDITIONAL 2% GROWTH DUE TO END USE LOCATION MOISTURE ABSORPTION MAY OCCUR AND SHOULD BE ACCOUNTED FOR.

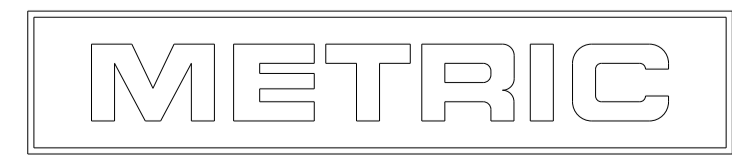


SECTION C-C
 3 DIMENSIONAL MODEL SCALE 4:1
 1586681-2 SHOWN



PIN NO	OMITTED	PIN CONTACT MATERIAL AND FINISH	HOUSING MATERIAL AND COLOR	PART NUMBER
12		PHOSPOR BRONZE, PRE-TIN	NYLON, UL94V-0, WHITE	1-1586681-2
8		PHOSPOR BRONZE, PRE-TIN	NYLON, UL94V-0, WHITE	1586681-8
4		PHOSPOR BRONZE, PRE-TIN	NYLON, UL94V-0, WHITE	1586681-4
2		PHOSPOR BRONZE, PRE-TIN	NYLON, UL94V-0, WHITE	1586681-2

RECOMMENDED MOUNTING HOLE PATTERN FOR 1.57 [.062] THICK P.C. BOARD HOLE THAT CORRESPONDS TO REMOVED CONTACT CAN BE OMITTED



DIMENSIONS: mm [INCHES]		TOLERANCES UNLESS OTHERWISE SPECIFIED:		DWN: K. WHITAKER 04MAY2005		Tyco Electronics	
0 PLC ±.01		1 PLC ±.013 [.005]		CHK: S. RIDGILL 04MAY2005		Harrisburg, PA 17105-3608	
2 PLC ±.015		3 PLC ±.02		APVD: S. RIDGILL 04MAY2005		NAME: PIN HEADER ASSEMBLY, 12 CIRCUIT, SELECTIVELY LOADED, UNIVERSAL MATE-N-LOK(TM)	
4 PLC ±.025		ANGLES: ±0°30'		PRODUCT SPEC: -		SIZE: A1	
MATERIAL: SEE TABLE		FINISH: SEE TABLE		APPLICATION SPEC: -		CAGE CODE: 00779	
				WEIGHT: -		DRAWING NO: 1586681	
				CUSTOMER DRAWING		SCALE: 5:1	
						SHEET 1 OF 1	
						REV: A1	