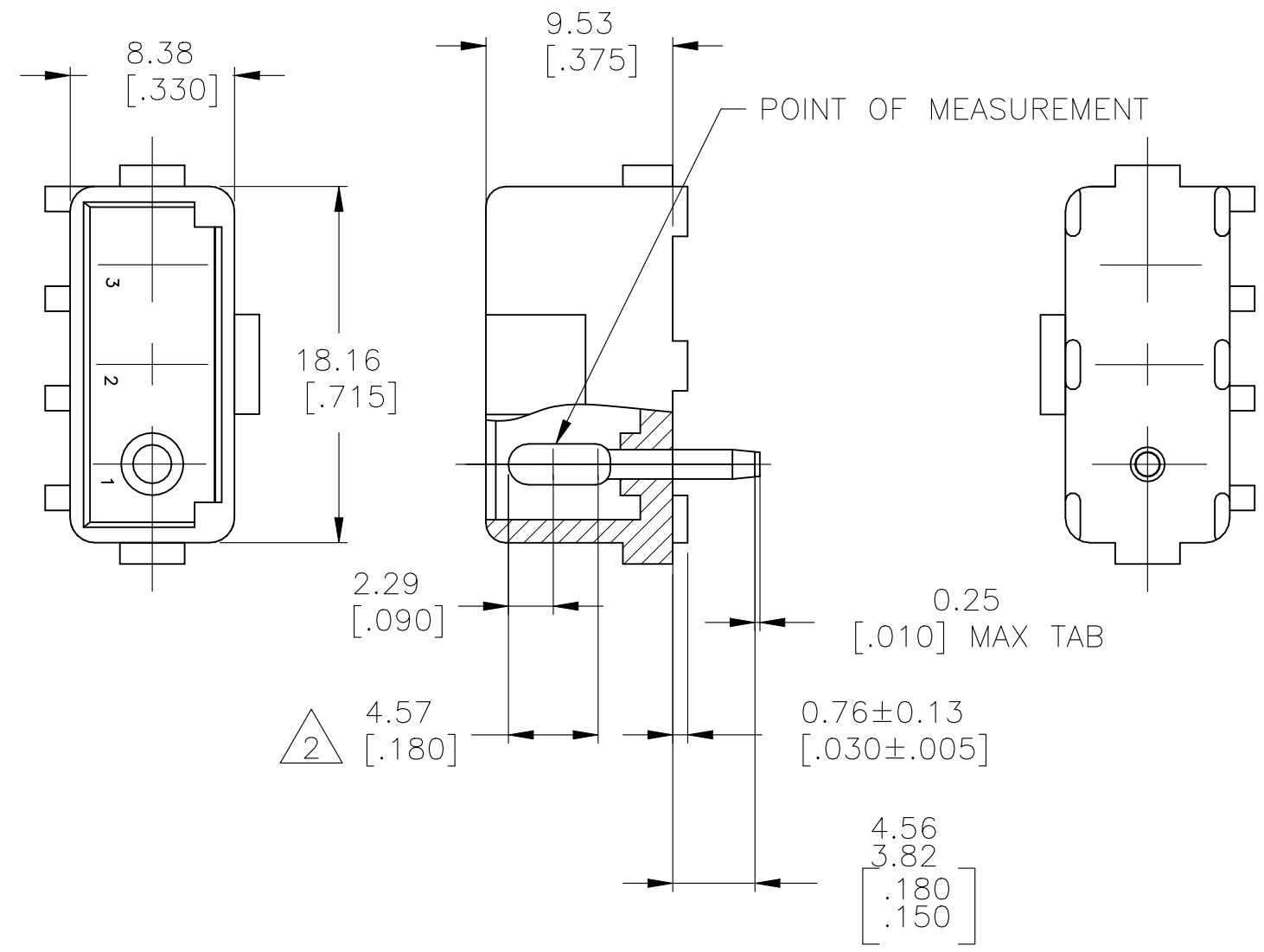
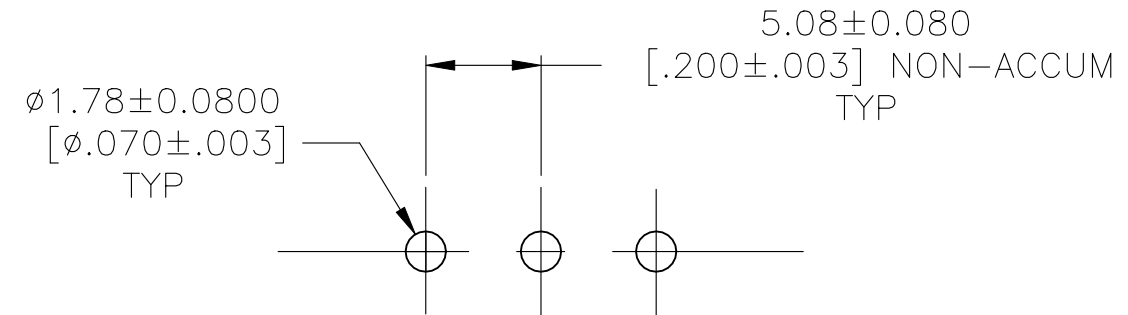


THIS DRAWING IS UNPUBLISHED. RELEASED FOR PUBLICATION
 © COPYRIGHT BY TYCO ELECTRONICS CORPORATION. ALL RIGHTS RESERVED.

LOC	DIST	REVISIONS					
CM	0	P	LTR	DESCRIPTION	DATE	DWN	APVD
			A1	REVISED PER ECR-21-117185	25OCT2021	PJ	VS



- PARTS MUST COMPLY WITH SOLDERABILITY SPEC. 109-11-3.
- CONTACT IS PLATED OVERALL WITH .000050 NICKEL, THEN .000030 GOLD OVER CONTACT LENGTH INDICATED AND MATTE TIN ON SOLDER TAIL END.
- DIMENSION SHOWN REPRESENT PRODUCT IN DRY CONDITION. ADDITIONAL 2% GROWTH DUE TO END USE LOCATION MOISTURE ABSORPTION MAY OCCUR AND SHOULD BE ACCOUNTED FOR.



SUPERSEDED BY 1586532-2	5-1586532-2	NYLON-GREEN	COPPER ALLOY-GOLD Δ
	1586532-2	NYLON-NATURAL	COPPER ALLOY-GOLD Δ
	ASSEMBLY NO.	HSG, MATL& COLOR	PIN MATL & FINISH

THIS DRAWING IS A CONTROLLED DOCUMENT.		DWN ARJUN	100CT05	Tyco Electronics Corporation Harrisburg, PA 17105-3608													
DIMENSIONS: mm [INCHES]		CHK -	APVD -	NAME													
TOLERANCES UNLESS OTHERWISE SPECIFIED:		PRODUCT SPEC -		3 CIRCUIT COMMERCIAL MATE-N-LOK(TM) HEADER													
<table border="0"> <tr><td>0 PLC</td><td>± -</td></tr> <tr><td>1 PLC</td><td>± -</td></tr> <tr><td>2 PLC</td><td>± -</td></tr> <tr><td>3 PLC</td><td>± -</td></tr> <tr><td>4 PLC</td><td>± -</td></tr> <tr><td>ANGLES</td><td>± -</td></tr> </table>		0 PLC	± -	1 PLC	± -	2 PLC	± -	3 PLC	± -	4 PLC	± -	ANGLES	± -	APPLICATION SPEC -		RESTRICTED TO -	
0 PLC	± -																
1 PLC	± -																
2 PLC	± -																
3 PLC	± -																
4 PLC	± -																
ANGLES	± -																
MATERIAL SEE TABLE	FINISH SEE TABLE	WEIGHT -	SIZE A3	CAGE CODE 00779	DRAWING NO C-1586532												
CUSTOMER DRAWING			SCALE 3:1	SHEET 1 OF 1	REV A1												

METRIC