

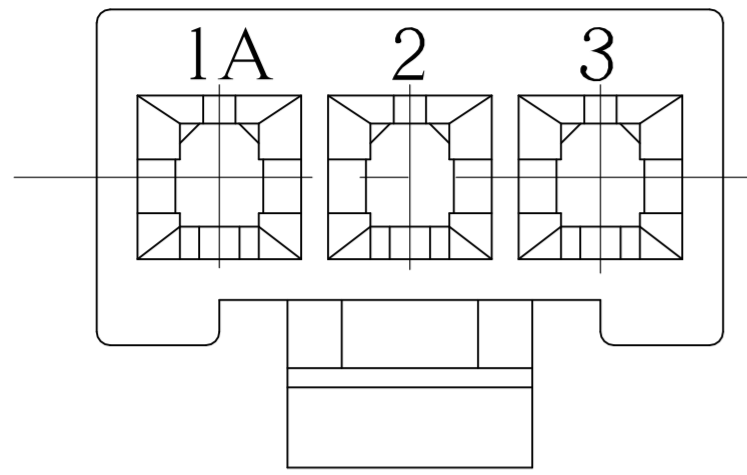
4

3

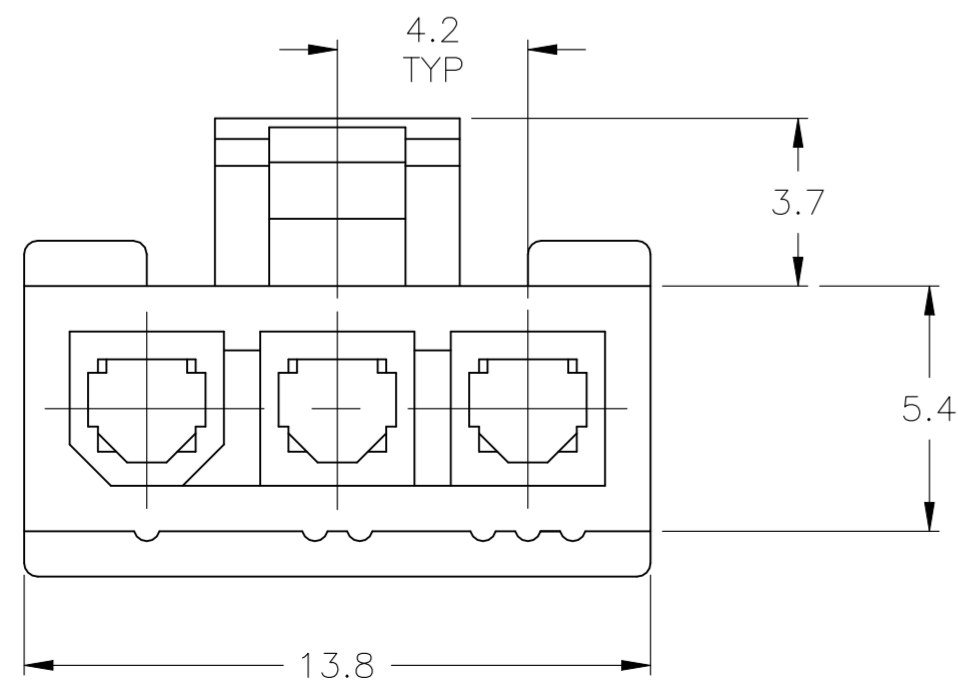
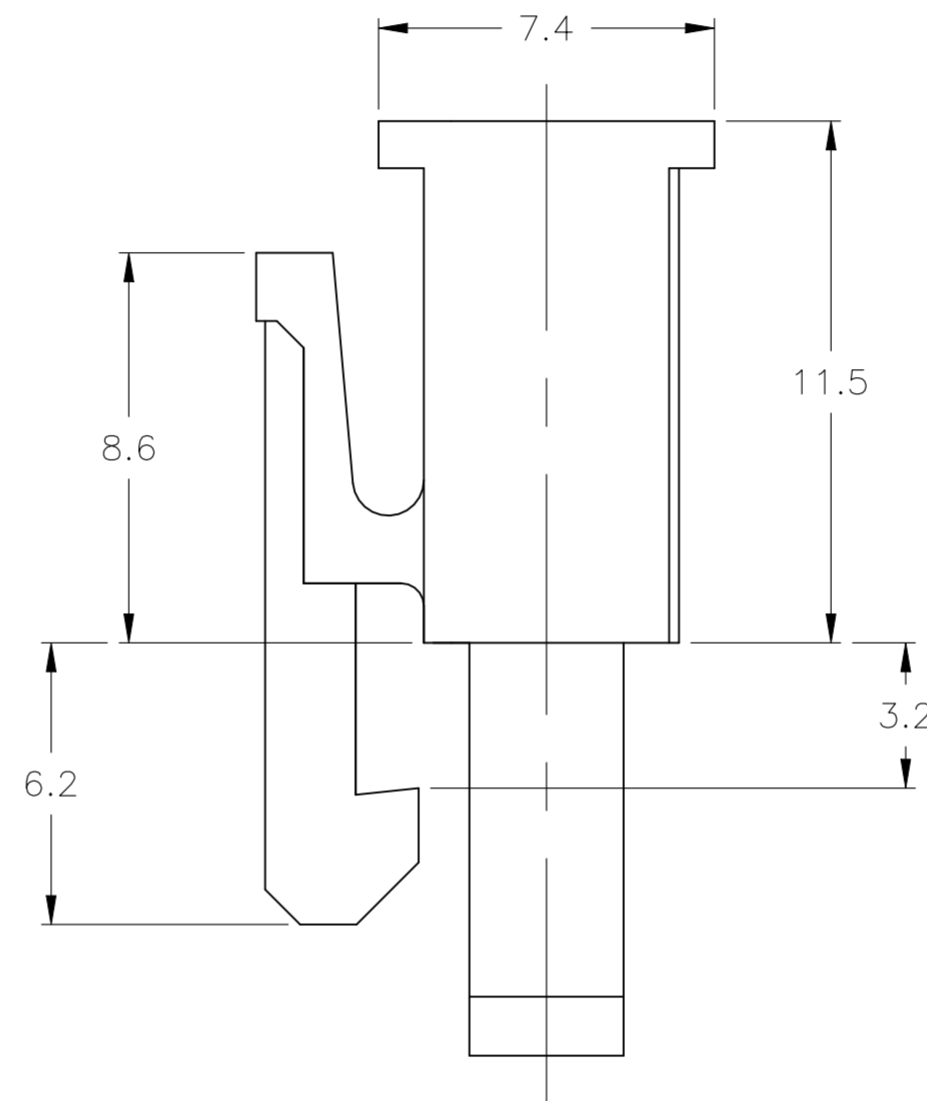
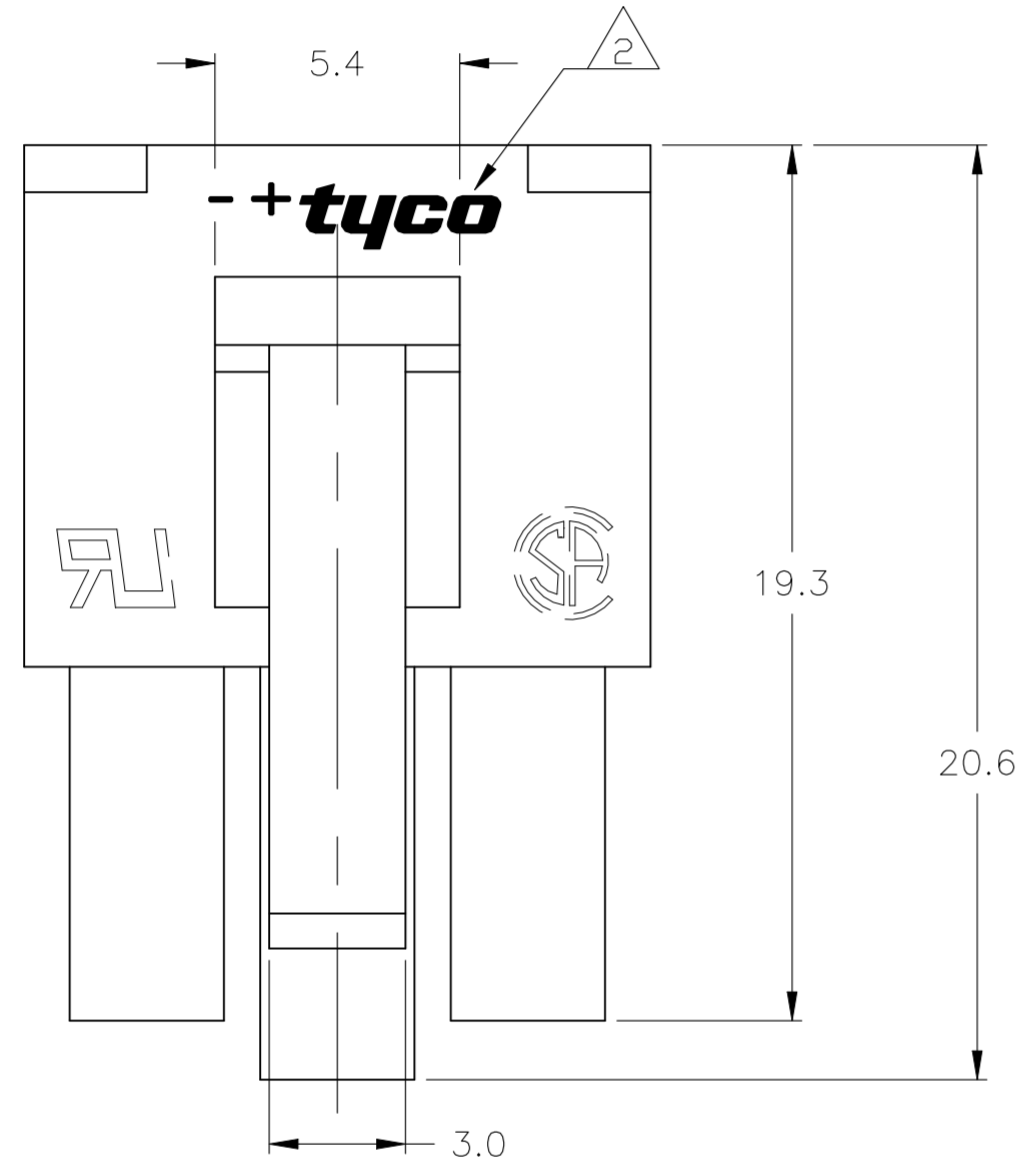
2

1

REVISIONS					
P	LTR	DESCRIPTION	DATE	DWN	APVD
C		REVISED PER ECR-23-163258	15NOV2023	P.C	D.Z



- 1 MATERIAL: THERMOPLASTIC NYLON66UL94V-0. NATURAL COLOR.
- 2 TE LOGO, UL AND CSA LOGO-SIZE, LOCATION AND ORIENTATION OPTIONAL.
- 3 THIS HOUSING ACCEPTS TERMINAL: 794956-1 AND OTHER SIMILAR TERMINALS
- 4 RECOMMENDED MATING PART: []-1586104-[]



1586106-3
PART NUMBER

THIS DRAWING IS A CONTROLLED DOCUMENT.		DWN S. HOOVER 23-FEB-2004	TE Connectivity		
DIMENSIONS: mm		CHK D. COLEY 23-FEB-2004			
TOLERANCES UNLESS OTHERWISE SPECIFIED:		APVD D. COLEY 23-FEB-2004	NAME RECEPTACLE, 3 CIRCUIT, VO VAL-U-LOK(TM)		
0 PLC ±		PRODUCT SPEC 108-2112	SIZE A2	CAGE CODE 00779	DRAWING NO C=1586106
1 PLC ± 0.2		APPLICATION SPEC 114-13172	RESTRICTED TO		
2 PLC ±		WEIGHT -	SCALE 6:1	SHEET 1 of 1	REV C
3 PLC ±		CUSTOMER DRAWING			
4 PLC ±					
ANGLES ±					
FINISH					

1586106