

THIS DRAWING IS UNPUBLISHED.

RELEASED FOR PUBLICATION

20

© COPYRIGHT 20 BY -

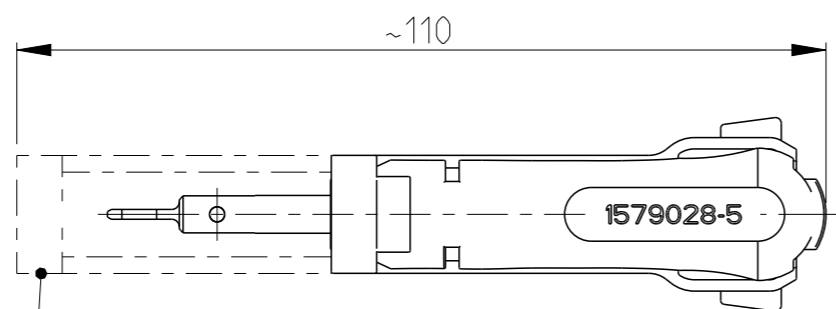
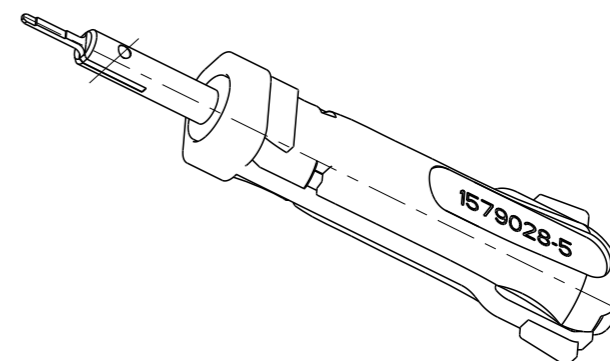
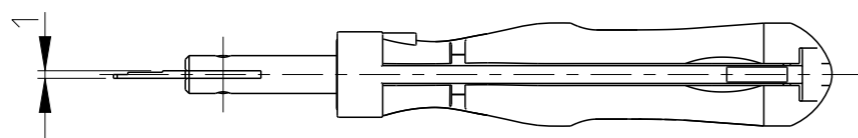
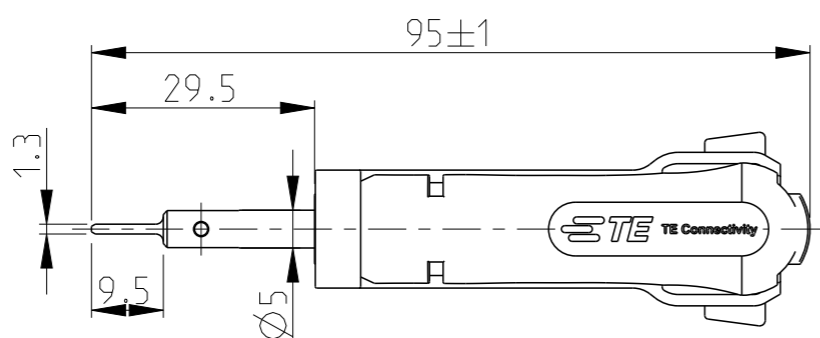
ALL RIGHTS RESERVED.

LOC
A1

DIST
-

REVISIONS

P	LTR	DESCRIPTION	DATE	DWN	APVD
	A	Initial release	07AUG2012	RG	GS



COVER SLIDE
Schutzschieber

APPLICATION RANGE / Anwendungsbereich

CONTACT-TE-P/N: 1534594

Housing-TE/P/N: 2112825

THIS DRAWING IS A CONTROLLED DOCUMENT.

DWN 07AUG2012
R. Germann
CHK 07AUG2012
G. Stegmayer



DIMENSIONS:	TOLERANCES UNLESS OTHERWISE SPECIFIED:
mm	
	0 PLC ±
	1 PLC ±
	2 PLC ±
	3 PLC ±
	4 PLC ±
	ANGLES ±1°

APVD -
PRODUCT SPEC -
APPLICATION SPEC 411-18559
WEIGHT 16g

NAME			RESTRICTED TO		
EXTRACTION TOOL Entriegelungswerkzeug					
SIZE	CAGE CODE	DRAWING NO			
A3	00779	1579028-5			

MATERIAL - FINISH -

Customer Drawing SCALE 1:1 SHEET 1 OF 1 REV A