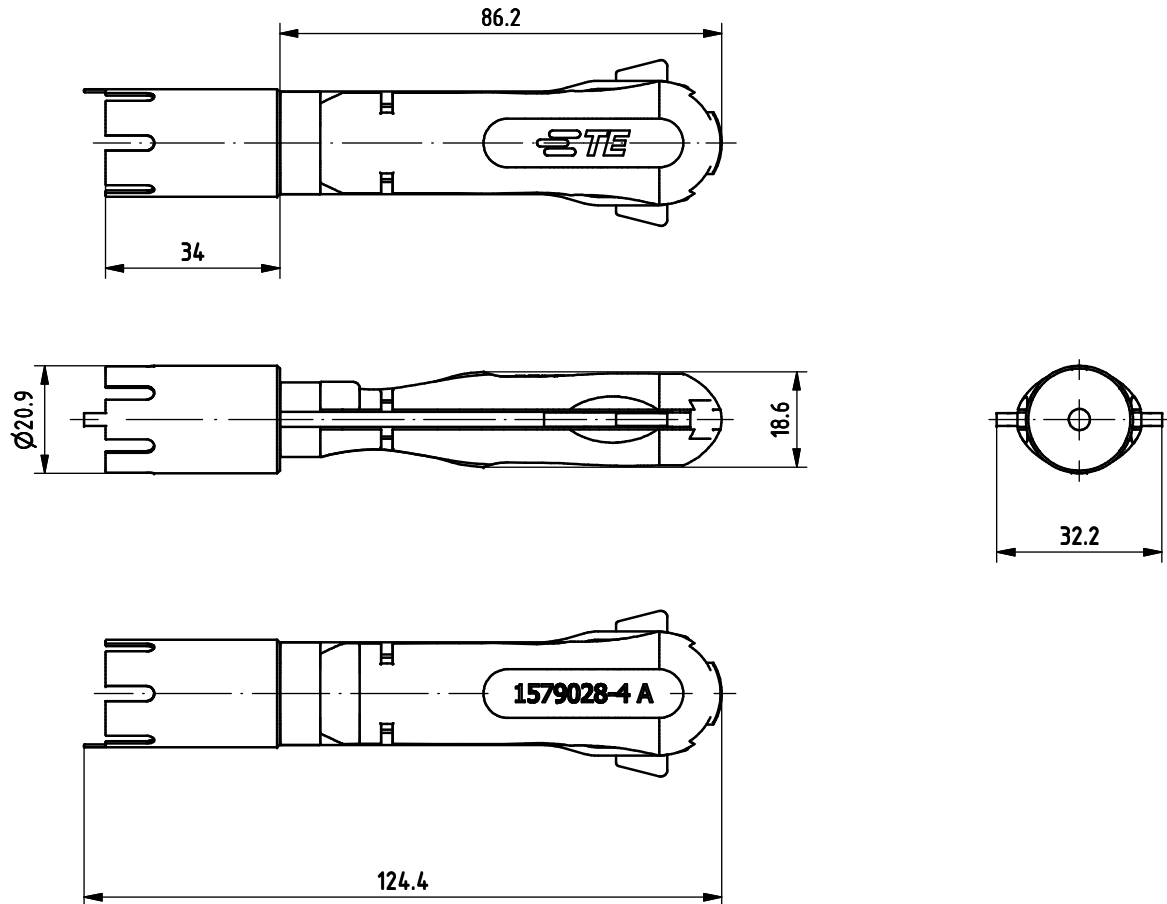
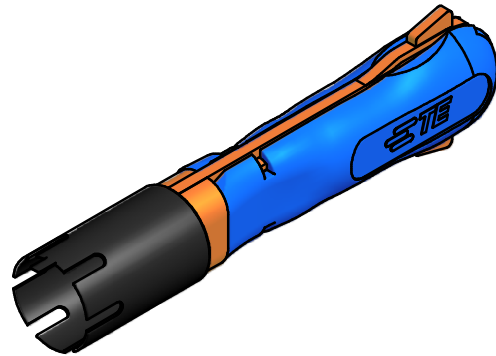


THIS DRAWING IS UNPUBLISHED. RELEASED FOR PUBLICATION  
 © COPYRIGHT - BY TYCO ELECTRONICS CORPORATION. ALL INTERNATIONAL RIGHTS RESERVED.


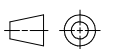
LOC AI DIST 00

REVISIONS					
P	LTR	DESCRIPTION	DATE	DWN	APVD
A		INITIAL REVISION	27AUG12	LS	GS



**Anwendungsbereich / Application range:**

HOUSING: 1103434-1 AND 1103437-1

<b>THIS DRAWING IS A CONTROLLED DOCUMENT.</b>		DWN L. Sandhu 27AUG12	 TE Connectivity		
DIMENSIONS: mm		CHK G. Stegmayer 27AUG12			
TOLERANCES UNLESS OTHERWISE SPECIFIED: 0 PLC ± 1 PLC ± 2 PLC ± 3 PLC ± 4 PLC ± ANGLES ±		APVD G. Stegmayer 27AUG12	NAME EXTRACTION TOOL Entriegelungswerkzeug		
		PRODUCT SPEC	RESTRICTED TO		
MATERIAL		APPLICATION SPEC	SIZE A3	CAGE CODE 00779	DRAWING NO C= 1579028-4
FINISH		Gewicht / Weight in Kg 0.038	SHEET 1 of 1		
CUSTOMER DRAWING			SCALE	REV A	