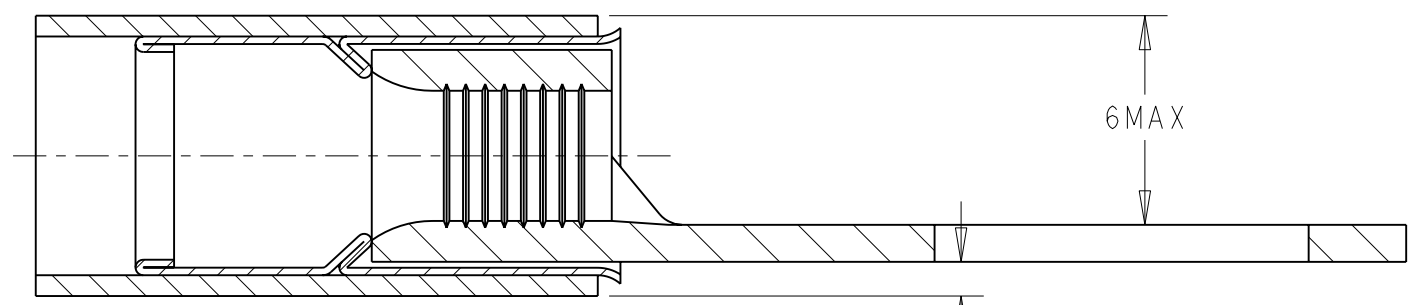


THIS DRAWING IS UNPUBLISHED. RELEASED FOR PUBLICATION 20
 © COPYRIGHT 20 BY TYCO ELECTRONICS CORPORATION. ALL RIGHTS RESERVED.

LOC	DIST	REVISIONS				
P	LTR	DESCRIPTION	DATE	DWN	APVD	
F	00	B	HOLE DIA. TOLERANCES	09JUN2006	JJD	YP
		C	ECR 07-025006	29OCT2007	JT	GR

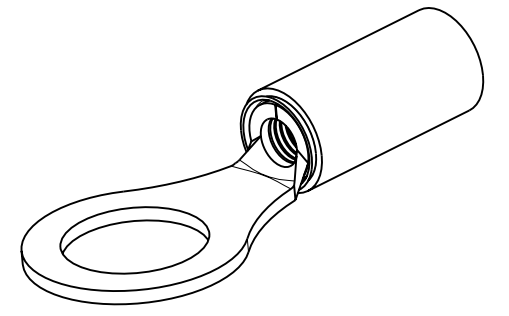
COUPE C-C



STAMP : AMP 12-10*

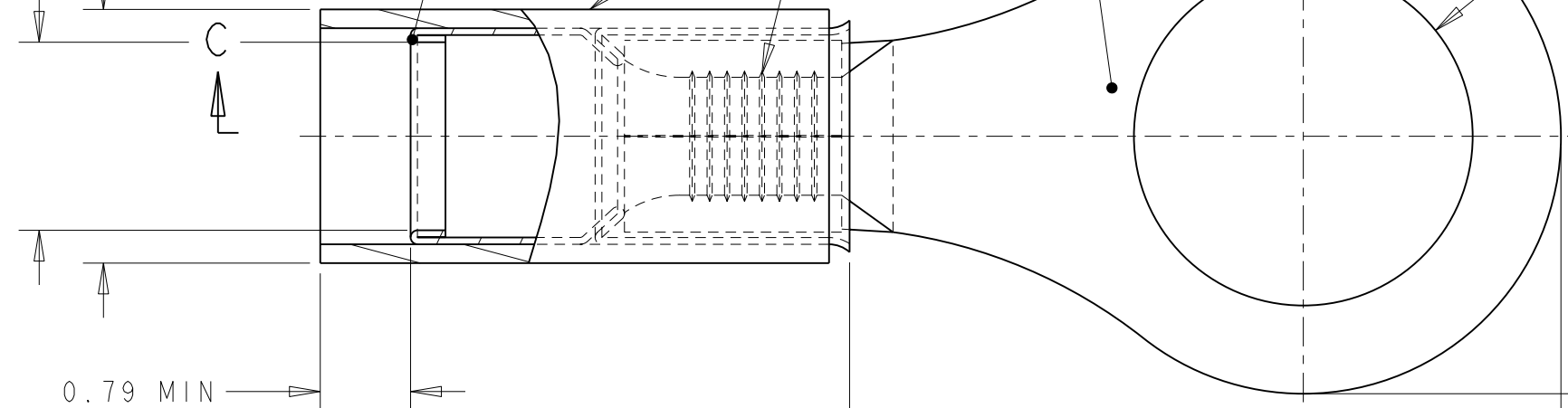
BODY 0.98±0.05 TONGUE THICKNESS

∅9.90±0.13 FOR 3/8 STUD



FOR INSULATION
 ∅2.60 - 5.44
 ∅7.40 MAX

SLEEVE
 INSULATION
 SERRATIONS



29.29 MAX

36.88 MAX

WIRE TERMINAL	1577650-1	BODY : COPPER ANNEALED FINISH : NICKEL PLATED
		SLEEVE : COPPER ANNEALED FINISH : NICKEL PLATED
		INSULATION : PEEK COLOR : BLACK
DESCRIPTION	PART NUMBER	MATERIAL & FINISH

<small>THIS DRAWING IS A CONTROLLED DOCUMENT FOR TYCO ELECTRONICS CORPORATION IT IS SUBJECT TO CHANGE AND THE CONTROLLING ENGINEERING ORGANIZATION SHOULD BE CONTACTED FOR THE LATEST REVISION.</small>		DWN JJ. DESPRETZ 27FEB2006	tyco Electronics Tyco Electronics France SAS 95300 Pontoise, France					
DIMENSIONS: mm 	TOLERANCES UNLESS OTHERWISE SPECIFIED: 0 PLC ±- 1 PLC ±0.3 2 PLC ±- 3 PLC ±- 4 PLC ±- ANGLES ±5 FINISH SEE TABLE	CHK G-ROBERT 27FEB2006	NAME PIDG STATO, AWG 10 PEEK EUROPEAN VERSION					
		APVD Y-PETRONIN 27FEB2006	PRODUCT SPEC 108-15356	SIZE A3	CAGE CODE 00779	DRAWING NO 1577650	RESTRICTED TO -	
MATERIAL SEE TABLE	FINISH SEE TABLE	WEIGHT 3,08 gr	CUSTOMER DRAWING		SCALE 5:1	SHEET 1	OF 1	REV C