

4

3

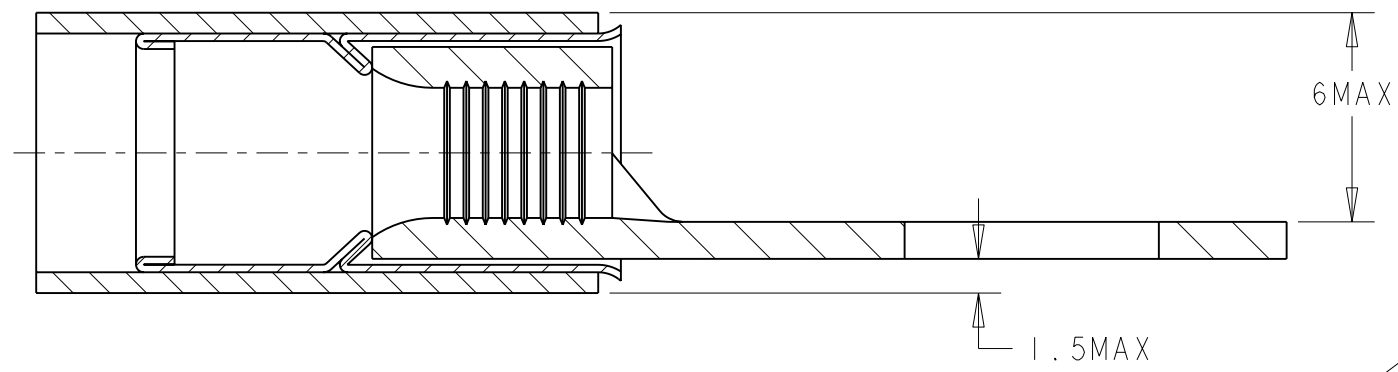
2

1

THIS DRAWING IS UNPUBLISHED. RELEASED FOR PUBLICATION 20
 © COPYRIGHT 20 BY TYCO ELECTRONICS CORPORATION. ALL RIGHTS RESERVED.

LOC	DIST	REVISIONS				
P	LTR	DESCRIPTION	DATE	DWN	APVD	
F	00	B	HOLE DIA. TOLERANCES	09JUN2006	JJD	YP
		C	ECR 07-025006	29OCT2007	JT	GR

COUPE C-C

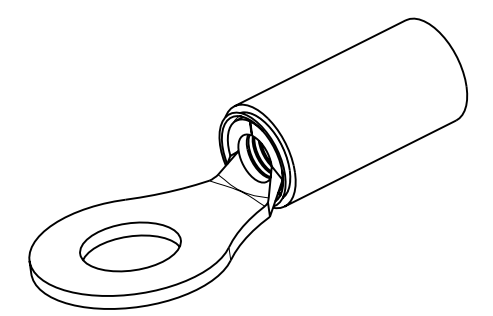


Ø 7.40 MAX
FOR INSULATION
Ø 2.60 - 5.44

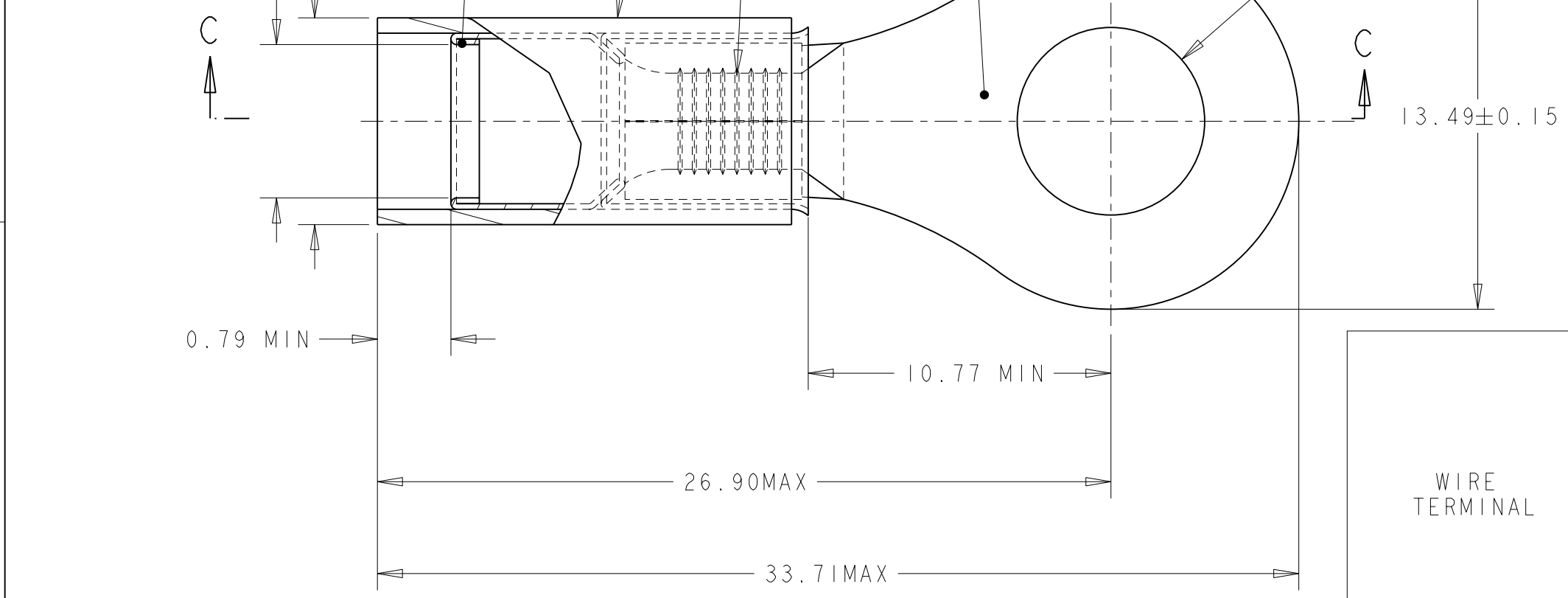
STAMP : AMP 12-10*

BODY 0.98±0.05 TONGUE THICKNESS

Ø 6.74±0.13 FOR 1/4 STUD



SCALE 2:1



WIRE TERMINAL	1577648-1	BODY : COPPER ANNEALED FINISH : NICKEL PLATED
		SLEEVE : COPPER ANNEALED FINISH : NICKEL PLATED
		INSULATION : PEEK COLOR : BLACK
DESCRIPTION	PART NUMBER	MATERIAL & FINISH

<small>THIS DRAWING IS A CONTROLLED DOCUMENT FOR TYCO ELECTRONICS CORPORATION IT IS SUBJECT TO CHANGE AND THE CONTROLLING ENGINEERING ORGANIZATION SHOULD BE CONTACTED FOR THE LATEST REVISION.</small>		DWN JJ. DESPRETZ 27FEB2006	tyco Electronics Tyco Electronics France SAS 95300 Pontoise, France	
DIMENSIONS: mm		CHK G-ROBERT 27FEB2006	NAME TERMINAL, PEEK PIDG STRATO, 10 AWG	
TOLERANCES UNLESS OTHERWISE SPECIFIED: 0 PLC ±- 1 PLC ±0.3 2 PLC ±- 3 PLC ±- 4 PLC ±- ANGLES ±5 FINISH SEE TABLE		APVD Y-PETRONIN 27FEB2006	PRODUCT SPEC 108-15356	RESTRICTED TO
MATERIAL SEE TABLE		APPLICATION SPEC 114-15102	SIZE A3	CAGE CODE 00779
		WEIGHT 3,03 gr	DRAWING NO 1577648	REV C
CUSTOMER DRAWING			SCALE 5:1	SHEET 1 OF 1