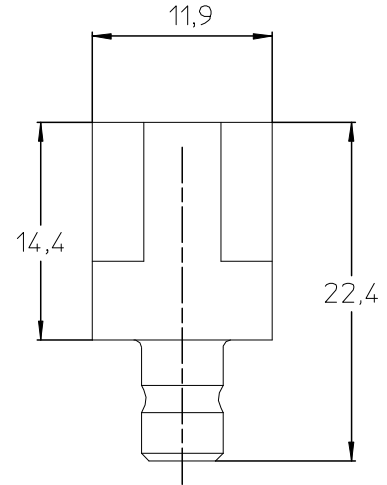
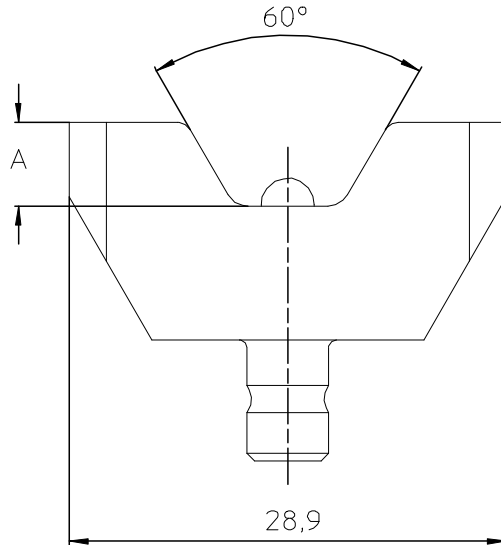


LOC	DIST	REVISIONS					
FH	00	P	LTR REV	DESCRIPTION MODIFICATIONS	DATE	DWN DESS.	APVD APP.
			A	CREATION	19-Sep-07	GC	GP



2.9	3 E 10 CTN -	0.391.6822	1574591-1
3.3	3 E 16 CTN -	0.391.6823	1574592-1
3.85	3 E 25 CTN -	0.391.6824	1574593-1
4.45	3 E 35 CTN -	0.391.6825	1574594-1
5.55	3 E 50 CTN	0.391.6826	1574595-1
A	DESCRIPTION		Part Number

RELEASED FOR PUBLICATION

ALL RIGHTS RESERVED
TOUS DROITS RÉSERVÉS

BY TYCO ELECTRONICS CORPORATION

© COPYRIGHT 19

THIS DRAWING IS UNPUBLISHED.
DIFFUSION RESEINTE

DIMENSIONS: mm	DWN /DESSINE G.CARLHIAN	19-Sep-07	MATERIAL MATIERE	ACIER PROTEGE	FINISH FINITION	-					
	CHK /VERIFIE L.MAINIER	-									
TOLERANCES UNLESS OTHERWISE SPECIFIED PER TOLERANCES NON SPECIFIEES SELON :ISO 2769-mK	APVD /APPROUVE G.PORCHERAY	-					NAME TITRE	3 E ... CTN			
	PRODUCT SPEC SPEC. PRODUIT	-	SIZE FORMAT	A4	CAGE CODE	00779	DRAWING NO No PLAN	© 1574595	RESTRICTED TO RESERVE A	-	
	APPLICATION SPEC SPEC. APPLICATION	-	APPROX. WEIGHT MASSE APPROX.	-	CUSTOMER DWG / PLAN CLIENT	UNIQUEMENT POUR REFERENCE	SCALE ECHELLE	2:1	SHEET FEUILLE	1 OF 1 DE 1	REV A