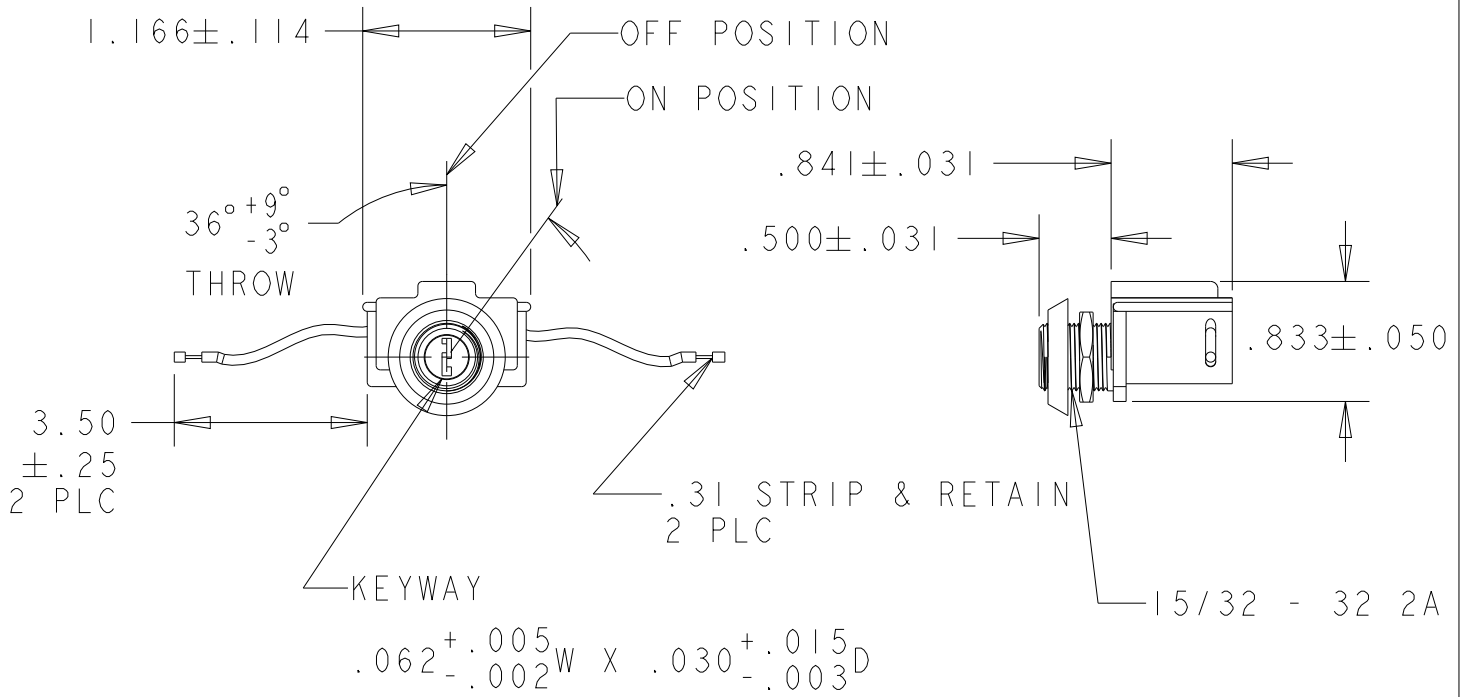
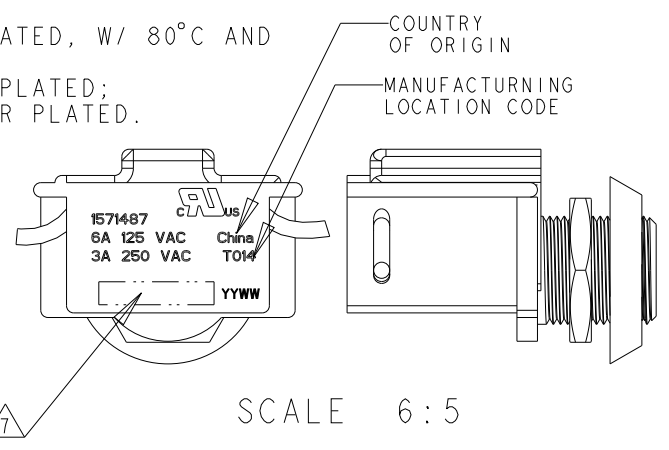


REVISIONS					
P	LTR	DESCRIPTION	DATE	DWN	APVD
	A	ECO-06-23628	25OCT2006	MB	MW
	AI	ECR-22-156505	27JAN2023	KW	MD



NOTES:

- KEY REMOVABLE IN OFF POSITION ONLY.
- KEYSWITCH SUPPLIED WITH 1 HEX NUT, 1 DRESS NUT AND 1 KEY.
- WIRE: 18 AWG BOND WIRE, TINNED, PVC INSULATED, W/ 80°C AND 300 V RATING (UL 1007).
CONTACT MATERIAL: MOVABLE-BRONZE, SILVER PLATED;
STATIONARY-BRASS, SILVER PLATED.
CIRCUIT: SPST
ACTION: OFF-ON
- ELECTRICAL SPECIFICATIONS:
KEYSWITCH RATING: 6A, 125V AC; 3A, 250V AC
DIELECTRIC VOLTAGE: 1000V RMS MIN.
INSULATION RESISTANCE: 100 MΩ MIN.
CONTACT RESISTANCE: 100 mΩ MAX.
CYCLE LIFE: 6000 OPERATIONS MIN.
TEMPERATURE RISE: <30°C AT 6000 OPERATIONS
- ENVIRONMENTAL SPECIFICATIONS:
OPERATING TEMP: -18°C TO 65°C



© 2023 TE Connectivity. All Rights Reserved.

- UL/CSA RECOGNITION.
- TYCO ELECTRONICS LOGO PER TEC 202-36 LOCATED APPROXIMATELY AS SHOWN

1571487-1 PART NUMBER

DIMENSIONS: INCHES	DWN J.C. YOSLER	12NOV2003	MATERIAL	-	FINISH	-
	CHK M.WILBOURN	07NOV2006	TE Connectivity			
TOLERANCES UNLESS OTHERWISE SPECIFIED:	APVD M.WILBOURN	07NOV2006				
0 PLC ±	PRODUCT SPEC	-	NAME KEYSWITCH, SPST			
1 PLC ±.03	APPLICATION SPEC	-	SIZE	CAGE CODE	DRAWING NO	RESTRICTED TO
2 PLC ±.015			A4	00779	C-1571487	-
3 PLC ±.010						
4 PLC ±	WEIGHT	-				
ANGLES ±1/2	CUSTOMER DRAWING		SCALE	3:4	SHEET	1 OF 1
						REV A1