

4

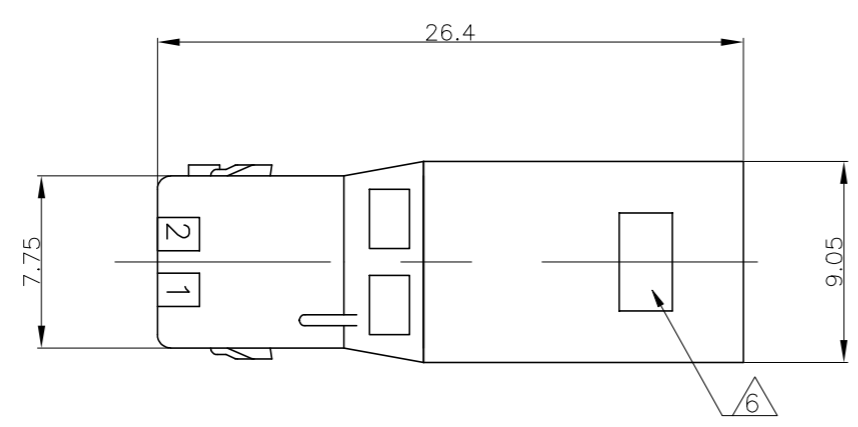
3

2

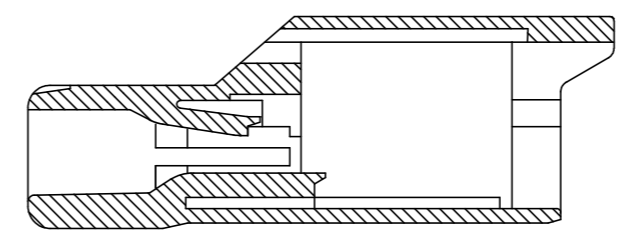
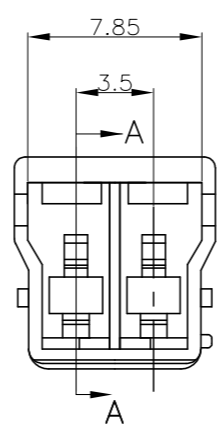
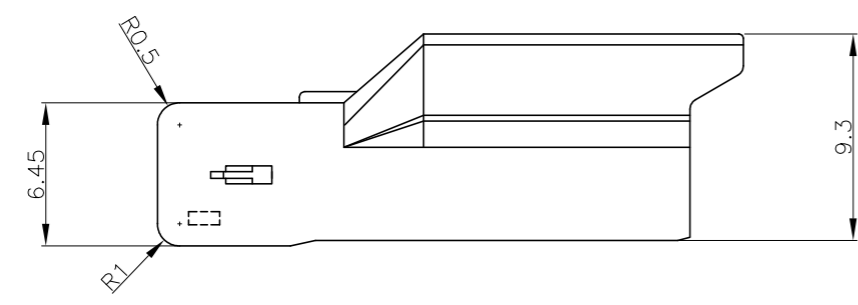
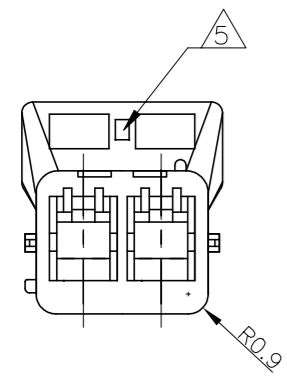
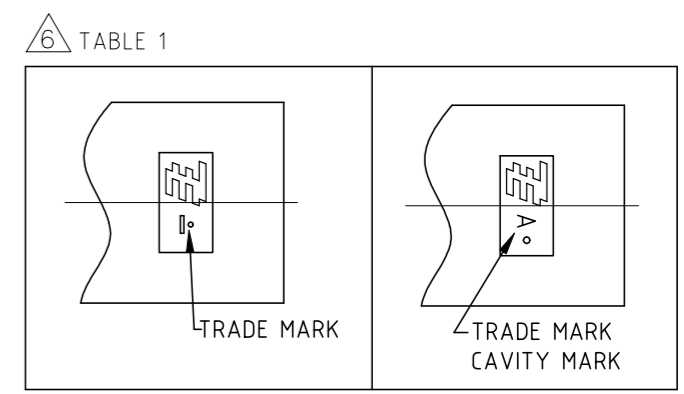
1

THIS DRAWING IS UNPUBLISHED. RELEASED FOR PUBLICATION
 © COPYRIGHT - TE Connectivity Ltd. ALL RIGHTS RESERVED.

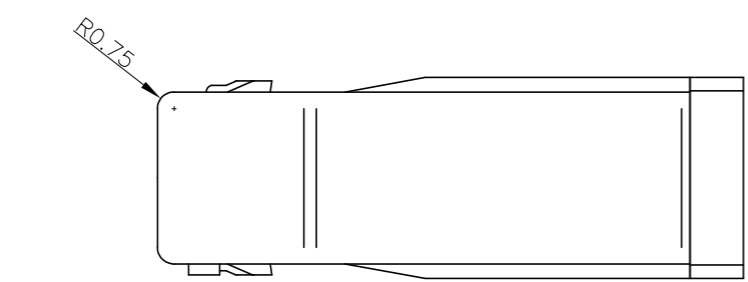
REVISIONS 変更				
P	LTR	DESCRIPTION	DATE	APVD
	C7	REVISED PER ECR-19-006394	24APR2019	SC D.Z



注) 1.一般公差:±0.25
 △材料: 66ナイロン ガラス無(UL94V-0)
 △かん合相手製品型番
 プラグハウジング: TABLE参照のこと
 タブコンタクト: 1565080-1,1612335-1
 4. 適応プレート型番: 1565089-1
 △表1参照
 △表1参照



断面A-A



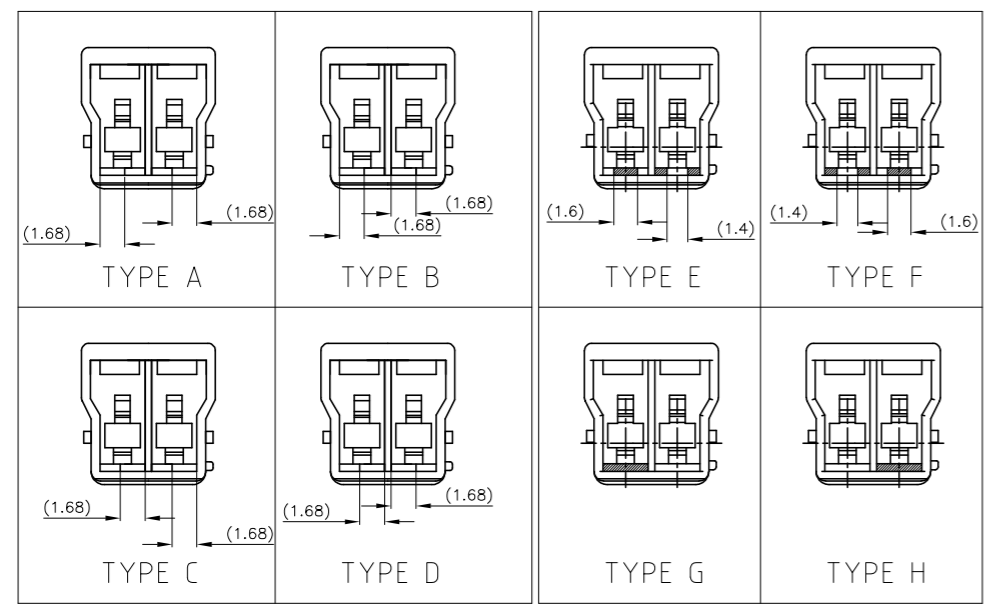
NOTES)
 1. GENERAL TOLERANCE: ±0.25
 △ MATERIAL: PA66(UL94V-0)
 △ MATING CONN. P/N
 PLUG HOUSING: SEE TABLE
 TAB CONTACT: 1565080-1,1612335-1
 4. APPLICABLE PLATE P/N:1565089-1
 △ SEE TABLE 1
 △ MATERIAL: PA66(UL94 V-0), PARTS COMPLY WITH
 GLOW WIRE REQUIREMENTS (GWT) PER IEC 60335-1
 △ PRELIMINARY P/N
 △ MATERIAL; PA66/6(UL94V-0)

THIS DRAWING IS A CONTROLLED DOCUMENT.		DWN A.OISHI 30 MAY. '02	TE Connectivity Ltd.													
DIMENSIONS: 単位: 耗 mm		CHK M.SHINDO 30 MAY. '02														
TOLERANCES UNLESS OTHERWISE SPECIFIED: 一般公差		APVD M.SHINDO 30 MAY. '02	NAME 名称 GRACE INERTIA CONNECTOR 3.5 2 POS CAP HOUSING													
<table border="1"> <tr><td>0 PLC</td><td>±</td></tr> <tr><td>1 PLC</td><td>±</td></tr> <tr><td>2 PLC</td><td>±</td></tr> <tr><td>3 PLC</td><td>±</td></tr> <tr><td>4 PLC</td><td>±</td></tr> <tr><td>ANGLES</td><td>±</td></tr> </table>		0 PLC	±	1 PLC	±	2 PLC	±	3 PLC	±	4 PLC	±	ANGLES	±	PRODUCT SPEC 製品規格 108-5810	グレイス・イナーシャ・コネクタ 3.5 2極 キャップハウジング	
0 PLC	±															
1 PLC	±															
2 PLC	±															
3 PLC	±															
4 PLC	±															
ANGLES	±															
MATERIAL 材料 △△△		FINISH 仕上 -	APPLICATION SPEC 取付適用規格 114-5306	RESTRICTED TO												
		WEIGHT -	SIZE A3	CAGE CODE 00779												
		CUSTOMER DRAWING	DRAWING NO 番号 C=1565085	SCALE 尺度 -												
			SHEET 1 of 2	REV C7												

THIS DRAWING IS UNPUBLISHED. RELEASED FOR PUBLICATION
 © COPYRIGHT - TE Connectivity Ltd. ALL RIGHTS RESERVED.

REVISIONS 変更				
P	LTR	DESCRIPTION	DATE	APVD
-	-	SEE SHEET 1	-	-

KEYING TYPE



9	4-1565081-4	H	ORANGE	4-1565085-4
	4-1565081-3	G	VIOLET	4-1565085-3
	4-1565081-2	F	BROWN	4-1565085-2
	4-1565081-1	E	DARK GRAY	4-1565085-1
7	1-1565081-6	A	BLACK	1-1565085-6
	1-1565081-5	A	GREEN	1-1565085-5
	3-1565081-5	D	YELLOW	3-1565085-5
	2-1565081-4	C	BLUE	2-1565085-4
	1-1565081-3	B	RED	1-1565085-3
	1-1565081-1	A	NATURAL	1-1565085-1
2	1565081-6	A	BLACK	1565085-6
	1565081-5	A	GREEN	1565085-5
	3-1565081-4	D	YELLOW	3-1565085-4
	2-1565081-3	C	BLUE	2-1565085-3
	1-1565081-2	B	RED	1-1565085-2
	1565081-1	A	NATURAL	1565085-1
MATERIAL	△ MATING HSG P/N	KEYING TYPE	COLOR	P/N

THIS DRAWING IS A CONTROLLED DOCUMENT.		DWN A.OISHI 30 MAY. '02	TE Connectivity Ltd. GRACE INERTIA CONNECTOR 3.5 2 POS CAP HOUSING	
DIMENSIONS: 單位: 耗 mm		CHK M.SHINDO 30 MAY. '02		
TOLERANCES UNLESS OTHERWISE SPECIFIED: 一般公差		APVD M.SHINDO 30 MAY. '02	NAME 名称	
		PRODUCT SPEC 製品規格 108-5810	RESTRICTED TO	
MATERIAL 材料 SEE TABLE		APPLICATION SPEC 取付適用規格 114-5306	SIZE A3	CAGE CODE 00779
FINISH 仕上		WEIGHT -	DRAWING NO 番号 C=1565085	REV C7
		CUSTOMER DRAWING	SCALE 尺度	SHEET 2 OF 2