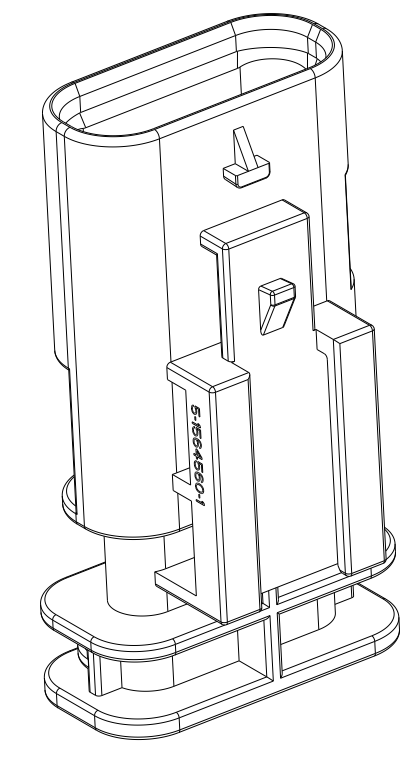
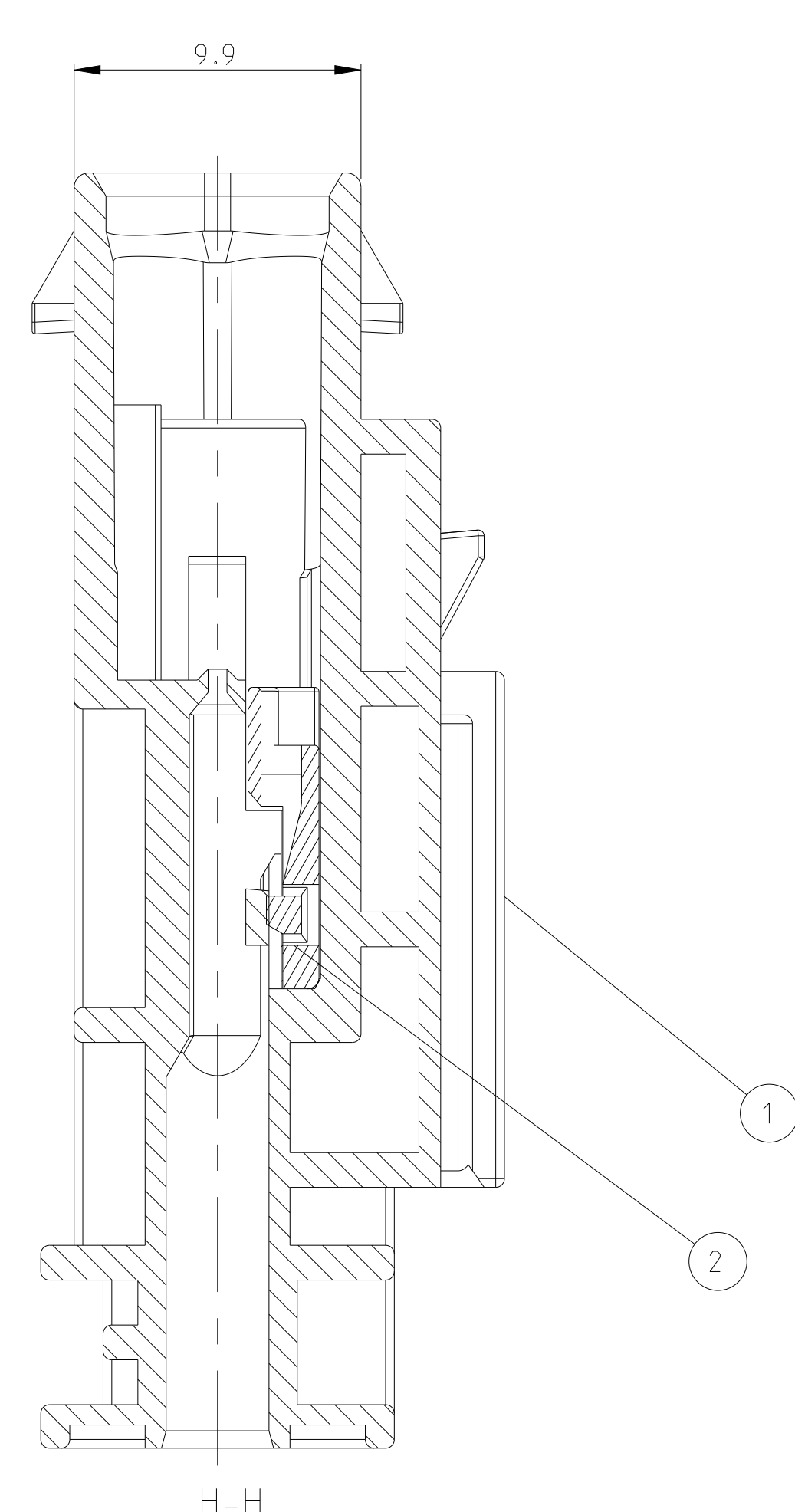
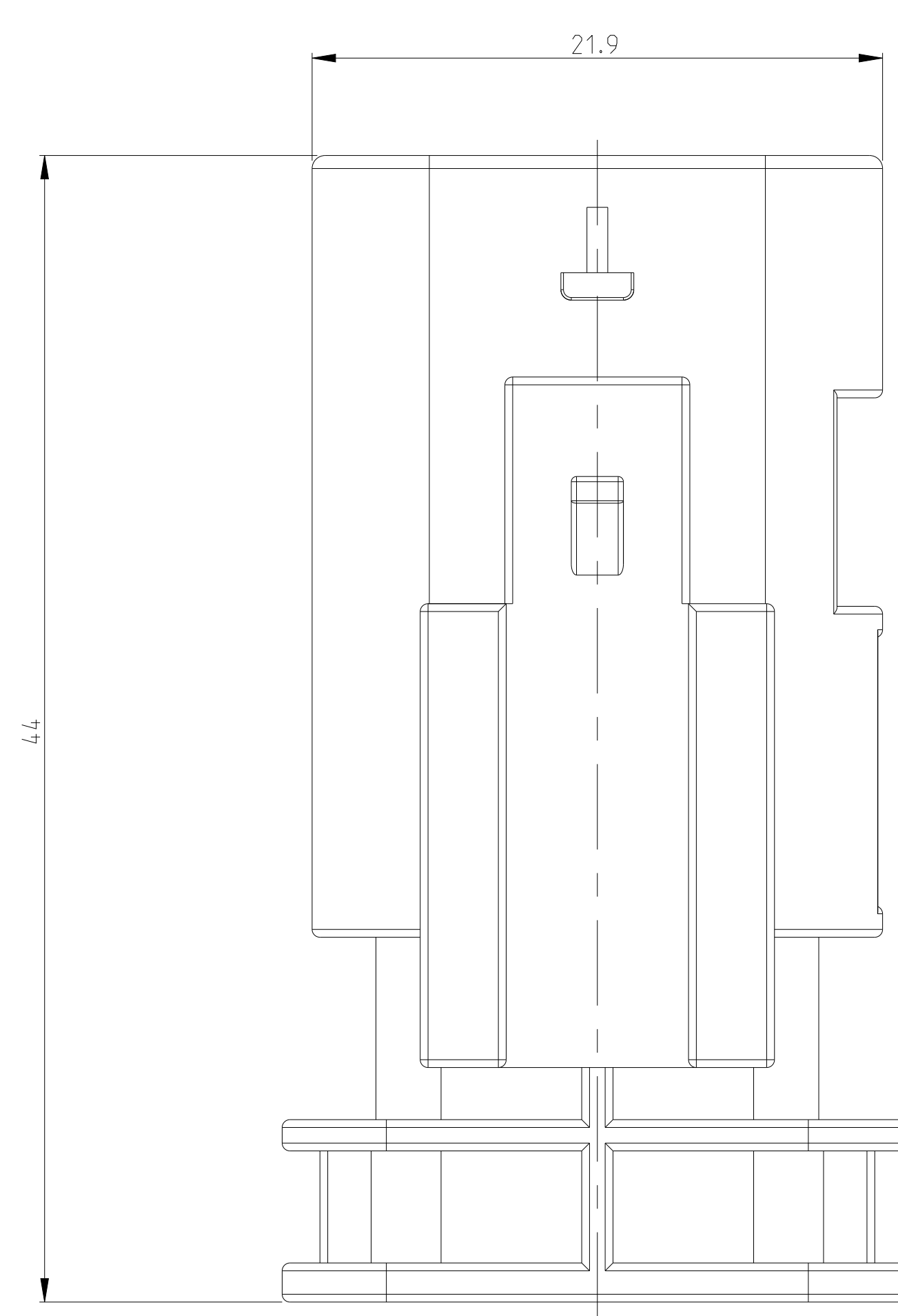
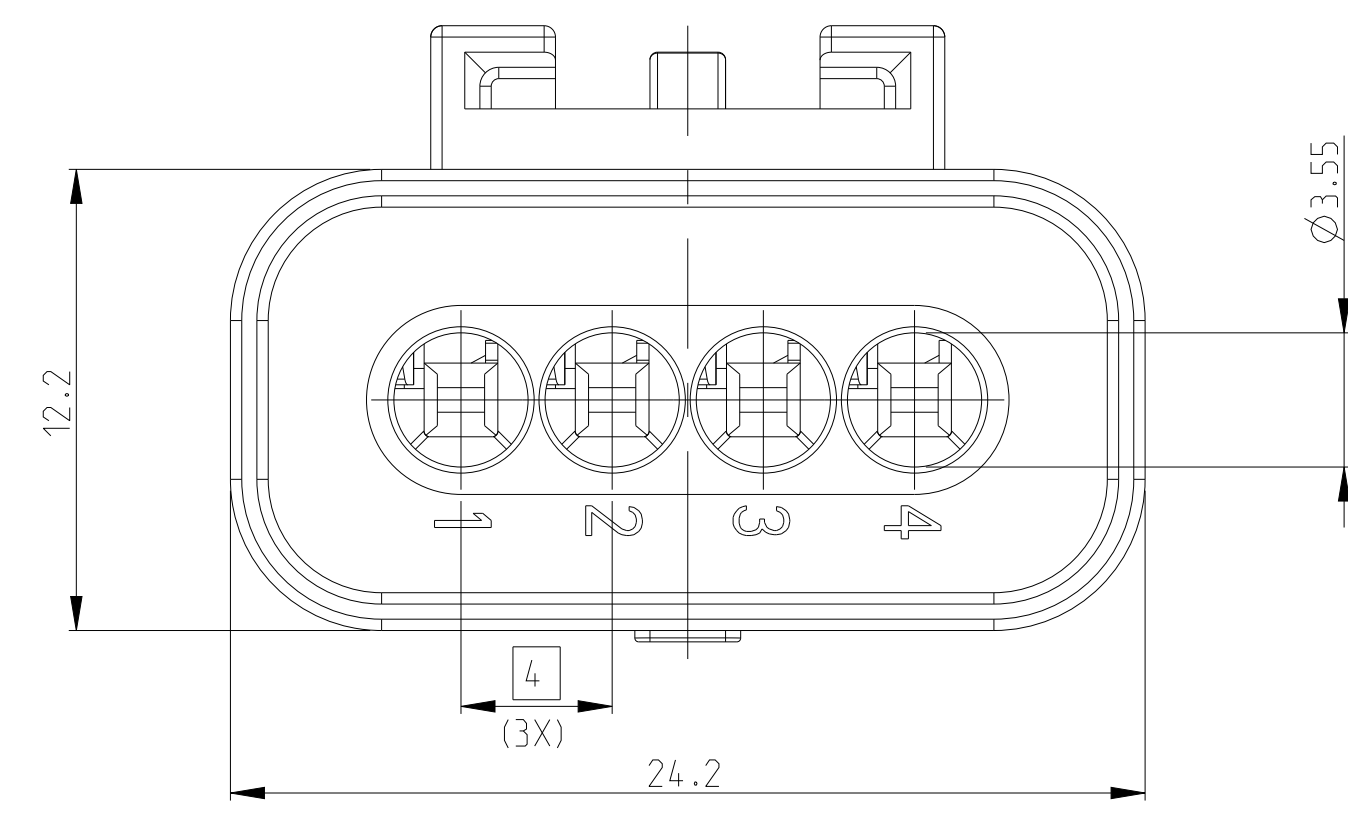


SHOWN 1-1564559-1

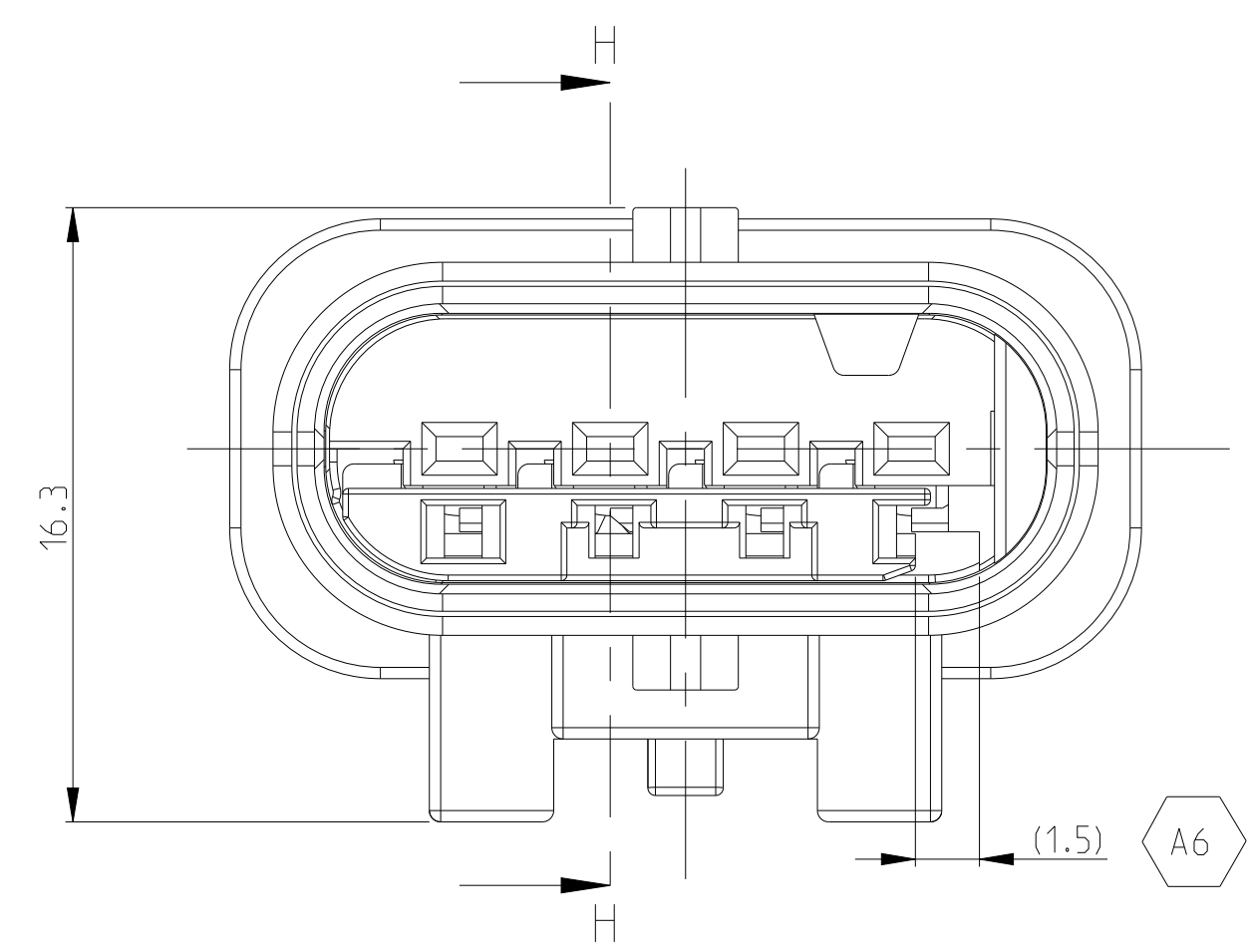


2:1

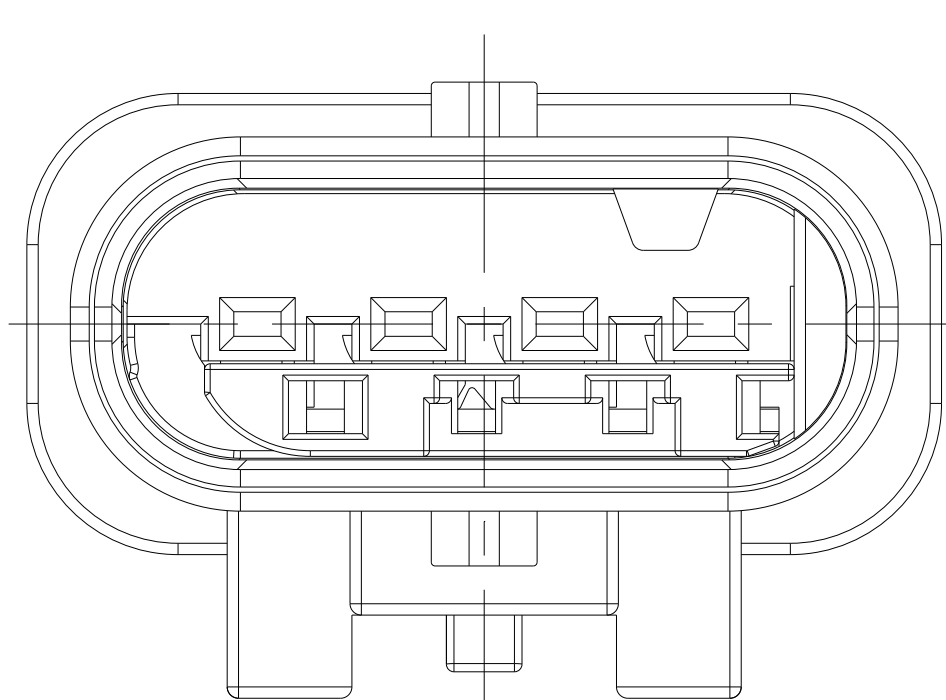


H-H

RETAINER IN PRE LOCKED POSITION
Kontaktsicherung in Vorraststellung

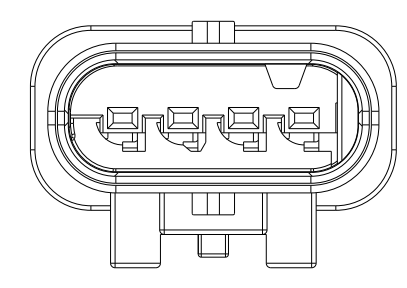


RETAINER IN FINAL LOCKED POSITION
2. Kontaktsicherung in Endraststellung

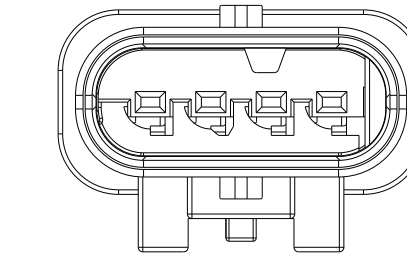


RETAINER MOVING DIRECTION
2. Kontaktsicherung Verschiebeweg

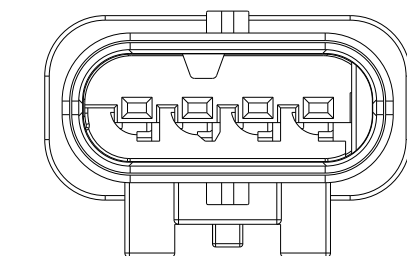
CODINGS 2:1



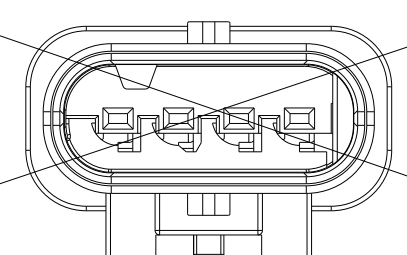
- A 1-1564559-1 (BLACK)
- 1-1564559-4 (YELLOW FOR GM)
- 5-1564559-1 (BLUE)



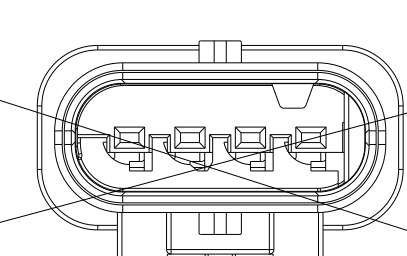
- B 2-1564559-1 (GREY)
- 2-1564559-4 (YELLOW FOR GM)



- C 3-1564559-1
- 3-1564559-4 (YELLOW FOR GM)

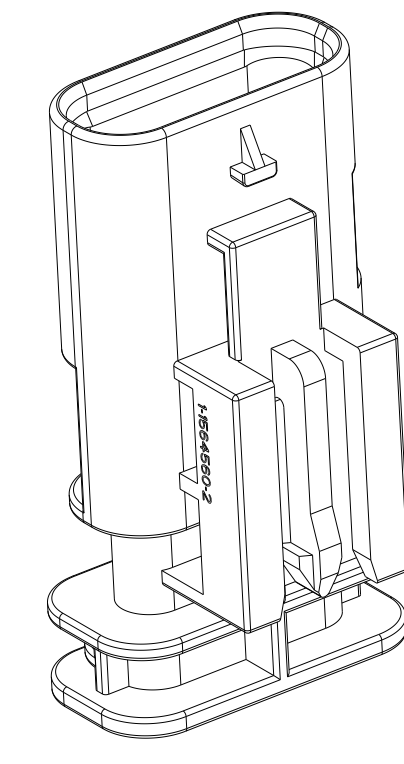


- D 4-1564559-1

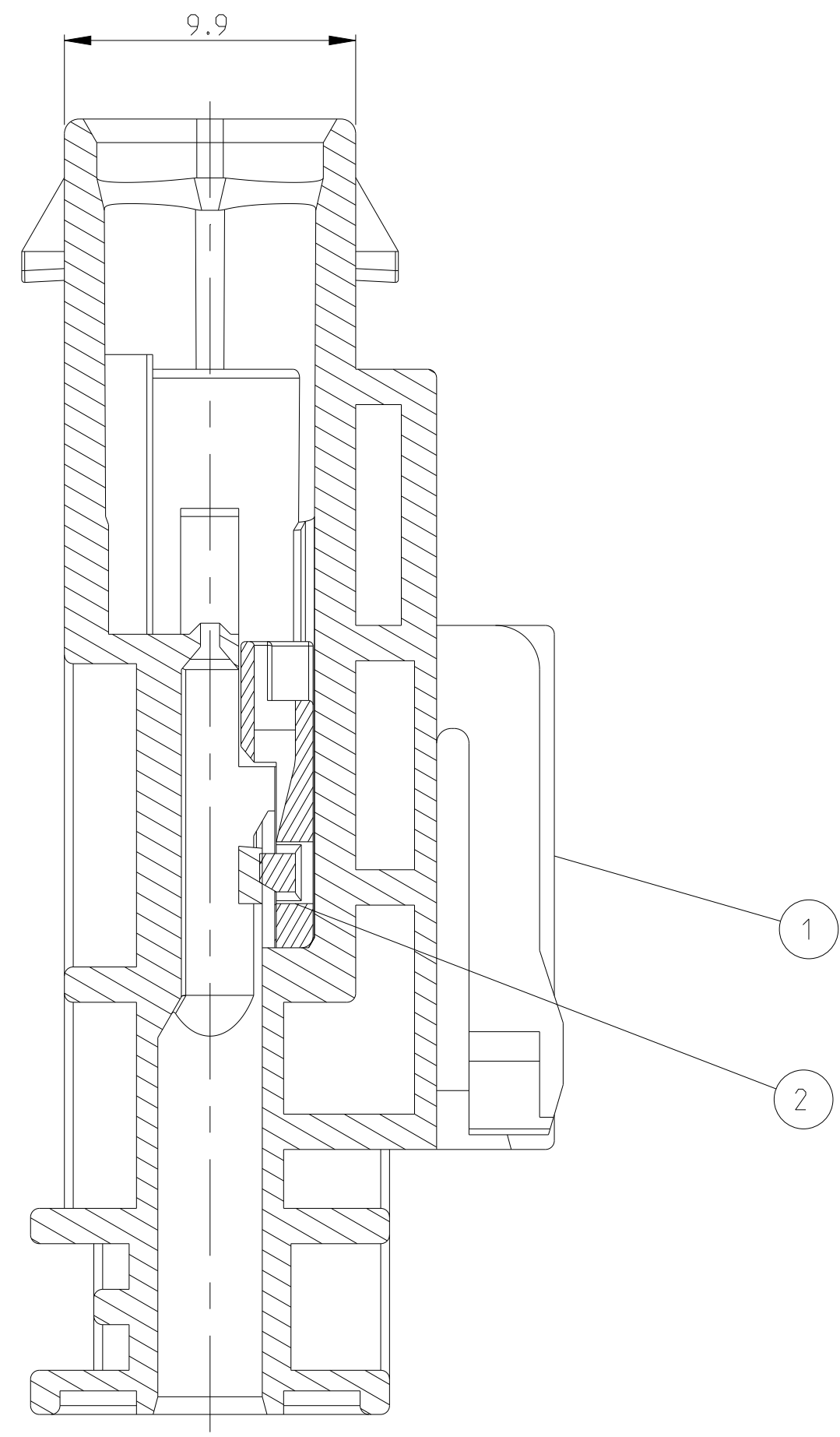
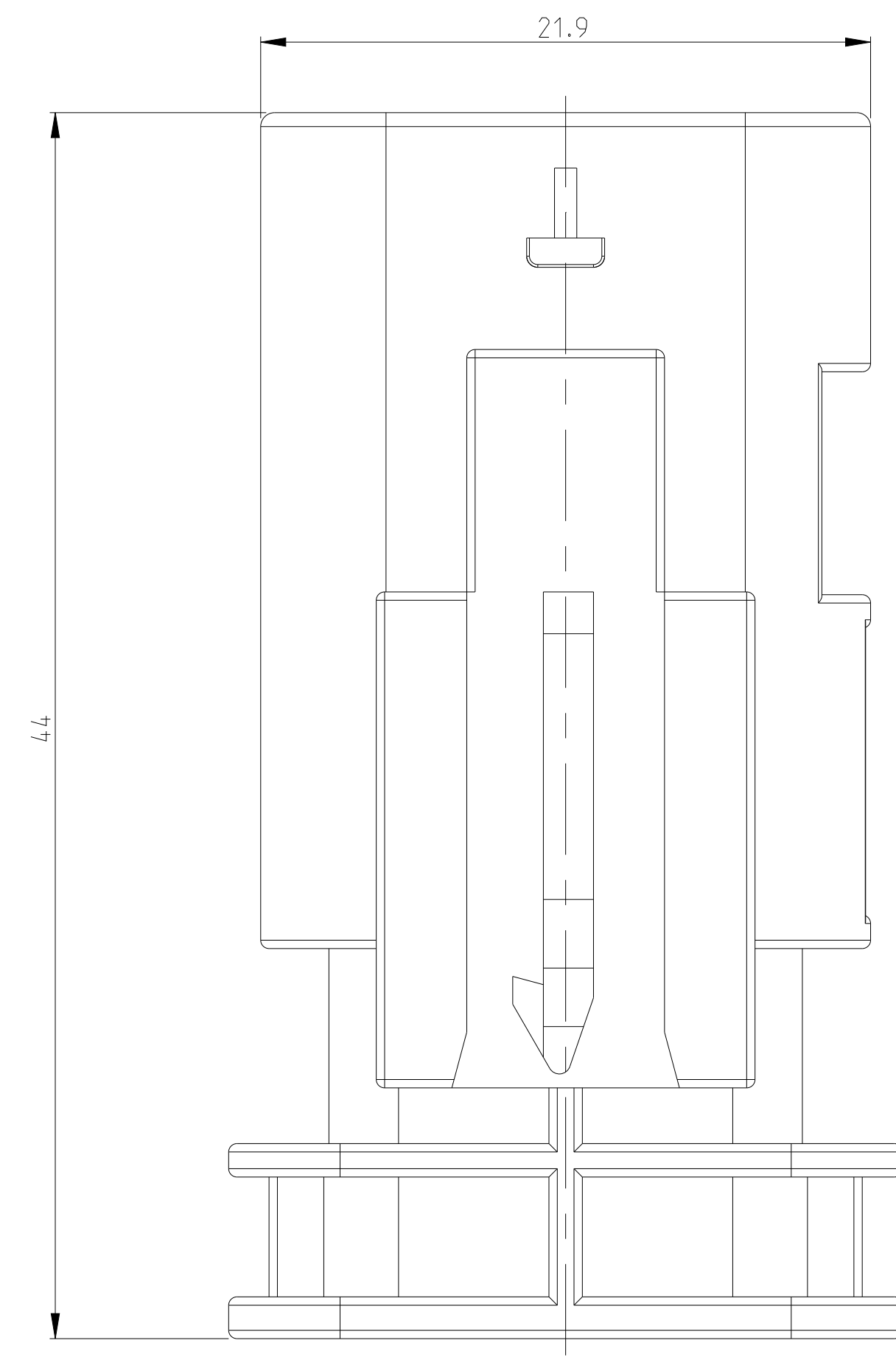
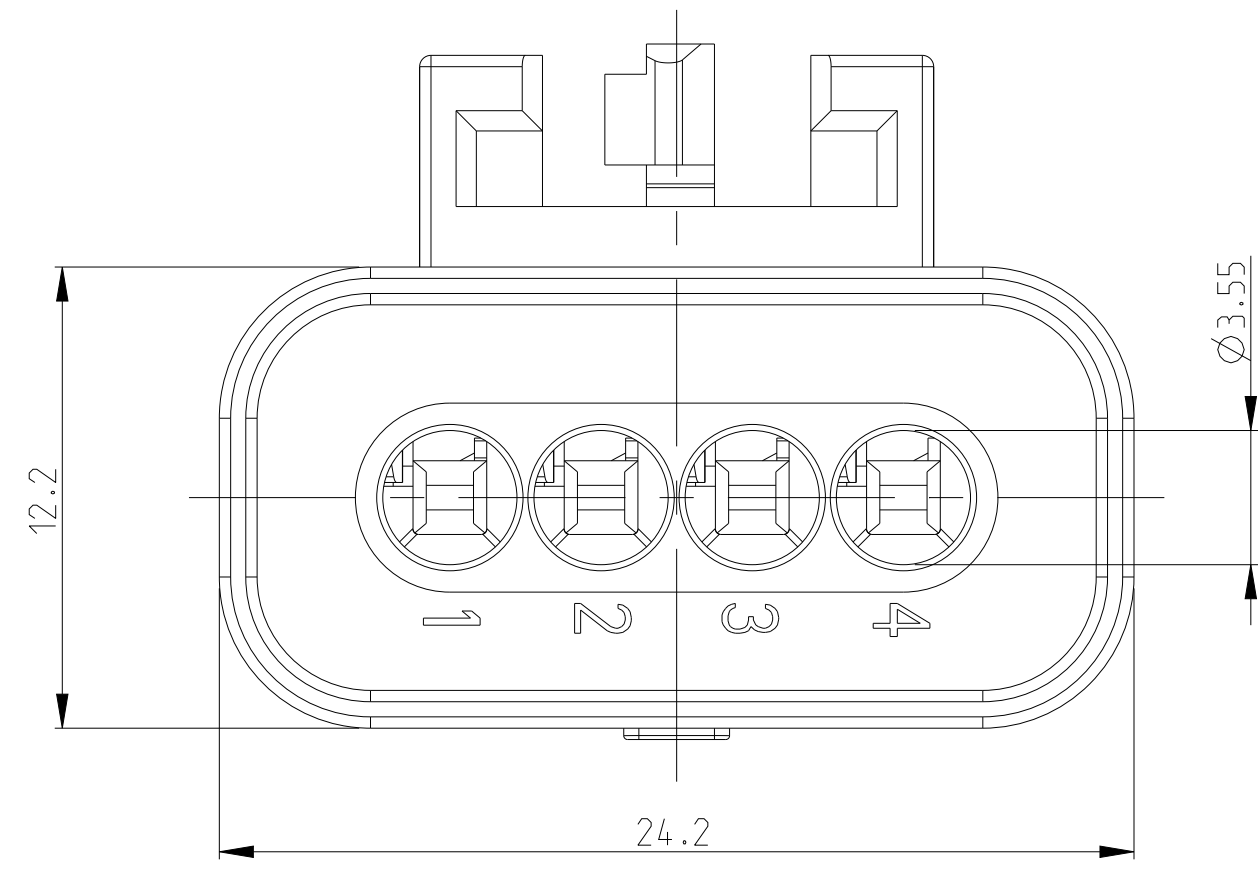


- Z 5-1564559-1

SHOWN 1-1564559-2

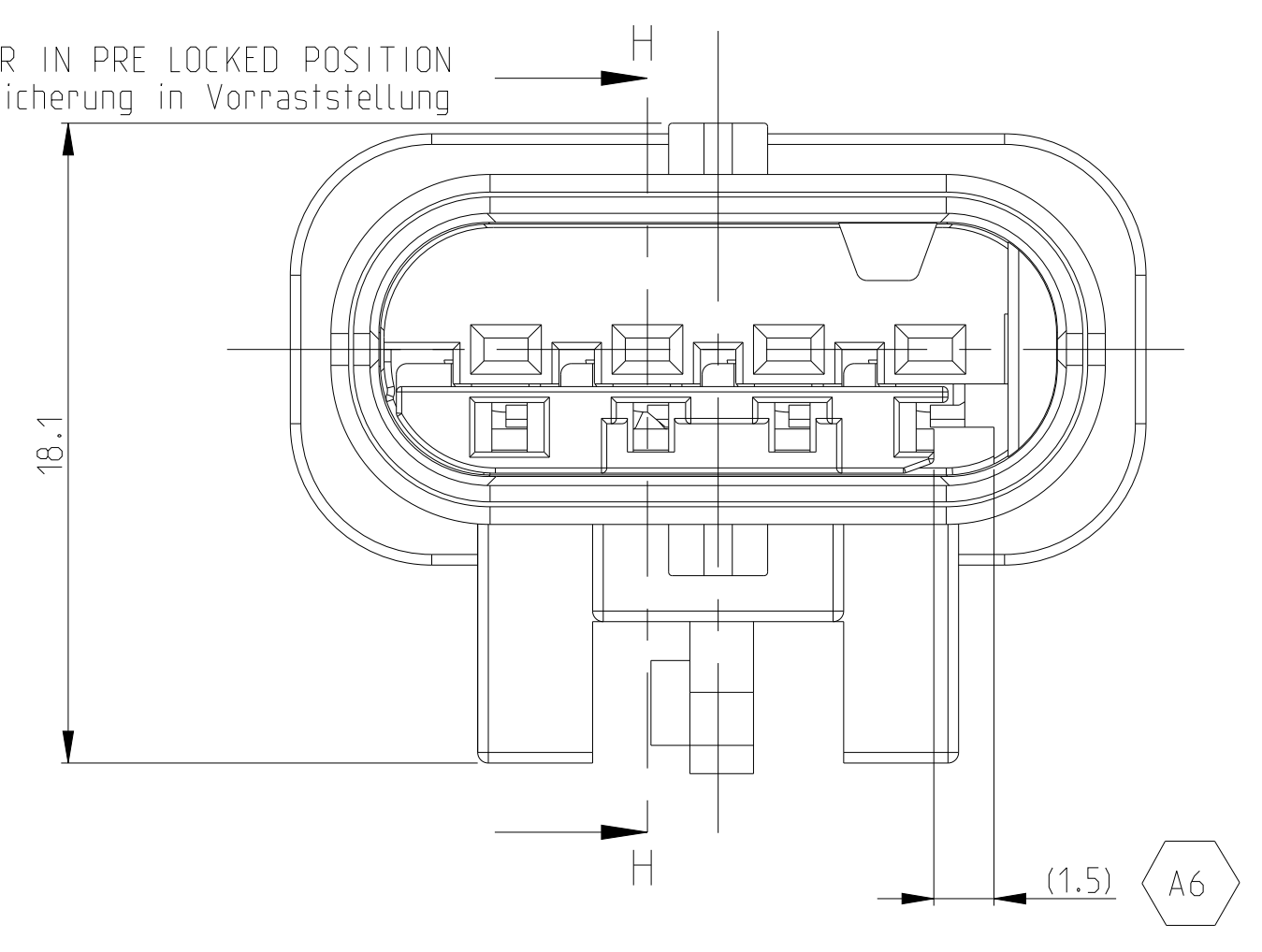


2:1

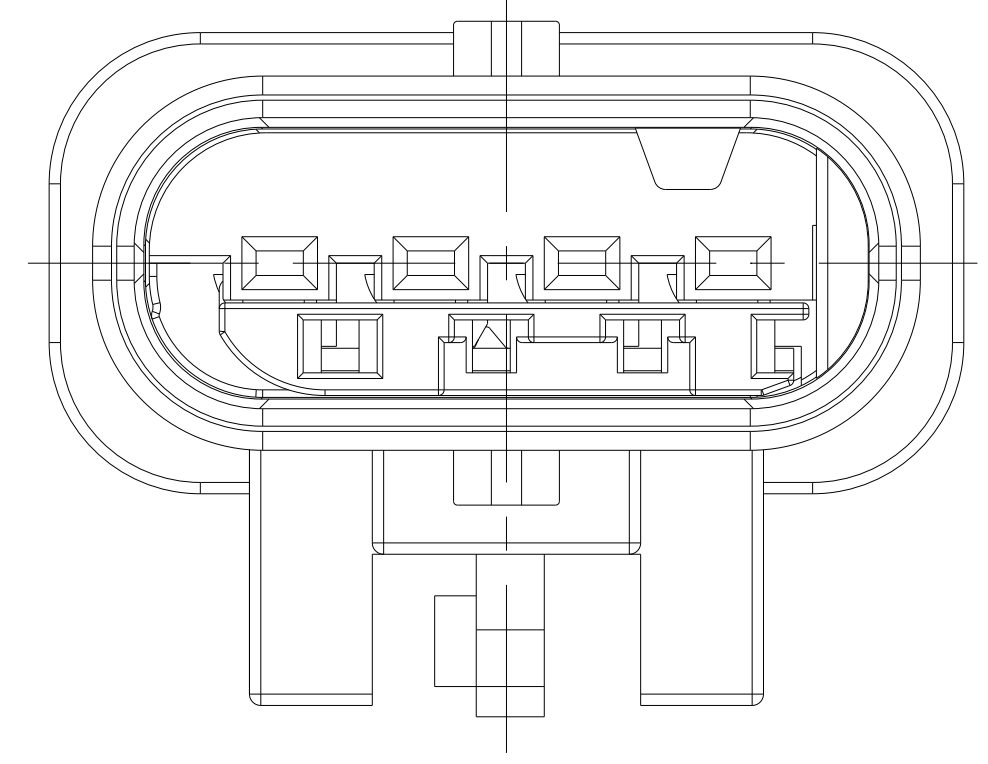


H-H

RETAINER IN PRE LOCKED POSITION
Kontaktsicherung in Vorraststellung



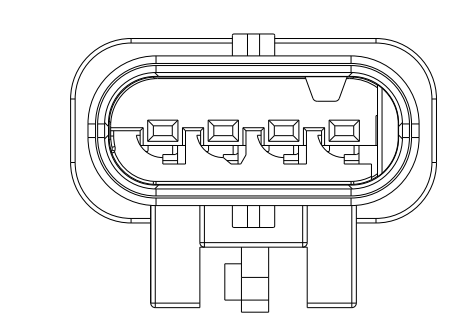
RETAINER IN FINAL LOCKED POSITION
2. Kontaktsicherung in Endraststellung



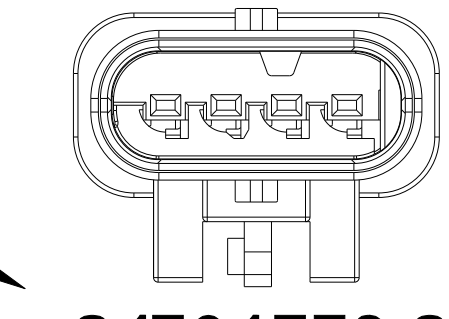
RETAINER MOVING DIRECTION
2. Kontaktsicherung Verschiebeweg

REV.	DATE	DESCRIPTION	BY	CHK	APPD.
A4	16APR2011	PCN-E-11-008327		MT	HR
A5	04OCT2014	PCN-E-14-014884		MT	HR
A6	28OCT2021	PCN-21-119051		BV	LSZ
A7	02AUG2023	ECN-23-224821		LSZ	SZN

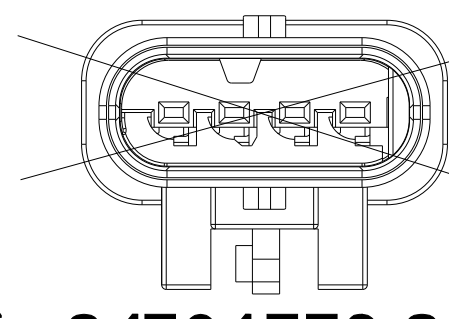
CODINGS 2:1



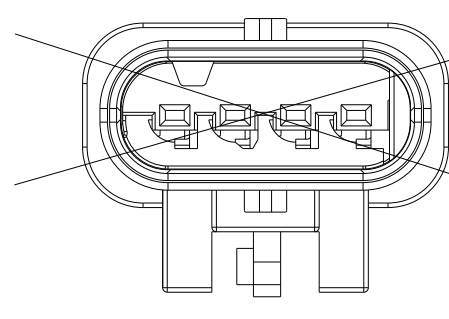
- A 1-1564559-2 (BLACK)



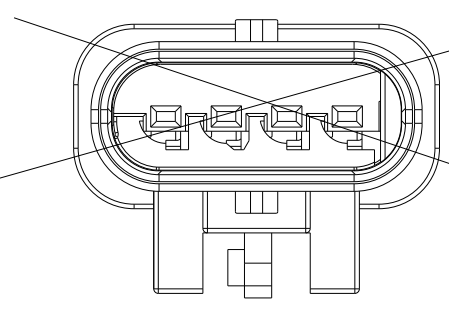
- B 2-1564559-2 (GREY)



- C 3-1564559-2



- D 4-1564559-2



- Z 5-1564559-2

TE-PN TERMINALS	WIRE RANGE	TE-PN SINGLE WIRE SEAL	TE-PN BLIND PLUG
2141868	0.08 - 0.22mm ²	967067-2	
1718758	0.25 - 0.35mm ²	967067-2	967056-1
1718760	0.5 - 0.75mm ²	967067-1	
1718762	1mm ²	967067-1	

TERMINAL TE-APPLICATION SPEC.: 114-18464.

TE SUITABLE FEMALE HSG. PASSENDE BUCHSENGEH.	TE- Bestell-Nr. ORDER-NO.	ASSY REV. CODE	Benennung TITLE	QTY	Benennung Einzelteil TITLE	Werkstoff MATERIAL	Oberflaeche/Farbe SURFACE/CLOUR	Pos. ITEM
	5-1564559-2	A	Z	1	Kontaktsicherung RETAINER	PA66-GF35	violett/VIOLET	2
	4-1564559-2	A	D	1	Stiftgehaeuse 4pol. MALE HOUSING 4POS.	PBT-GF30	schwarz/BLACK	1z
	3-1564559-2	A	C	1	Kontaktsicherung RETAINER	PA66-GF35	violett/VIOLET	2
	2-1670918-2	A	B	1	Stiftgehaeuse 4pol. MALE HOUSING 4POS.	PBT-GF30	schwarz/BLACK	1c
	1-1670918-2	A	A	1	Kontaktsicherung RETAINER	PA66-GF35	violett/VIOLET	2

1-1670918-1	5-1564559-1	A	A	1	Kontaktsicherung RETAINER	PA66-GF35	violett/VIOLET	2
3-1670918-1	3-1564559-4	A	C	1	Stiftgehaeuse 4pol. MALE HOUSING 4POS.	PA66-GF35	violett/VIOLET	2
2-1670918-1	2-1564559-4	A	B	1	Stiftgehaeuse 4pol. MALE HOUSING 4POS.	PBT-GF30	gelb/YELLOW	1a
1-1670918-1	1-1564559-4	A	A	1	Kontaktsicherung RETAINER	PA66-GF35	violett/VIOLET	2
	5-1564559-1	A	Z	1	Kontaktsicherung RETAINER	PBT-GF30	schwarz/BLACK	1z
	4-1564559-1	A	D	1	Stiftgehaeuse 4pol. MALE HOUSING 4POS.	PBT-GF30	schwarz/BLACK	1d
	3-1564559-1	A	C	1	Kontaktsicherung RETAINER	PA66-GF35	violett/VIOLET	2
2-1670918-1	2-1564559-1	A	B	1	Stiftgehaeuse 4pol. MALE HOUSING 4POS.	PA66-GF35	violett/VIOLET	2
1-1670918-1	1-1564559-1	A	A	1	Kontaktsicherung RETAINER	PBT-GF30	grau/GREY	1b
	5-1564559-1	A	Z	1	Kontaktsicherung RETAINER	PA66-GF35	violett/VIOLET	2
	4-1564559-1	A	D	1	Stiftgehaeuse 4pol. MALE HOUSING 4POS.	PBT-GF30	schwarz/BLACK	1c
2-1670918-1	2-1564559-1	A	B	1	Stiftgehaeuse 4pol. MALE HOUSING 4POS.	PBT-GF30	grau/GREY	1b
1-1670918-1	1-1564559-1	A	A	1	Kontaktsicherung RETAINER	PA66-GF35	violett/VIOLET	2
	5-1564559-1	A	Z	1	Kontaktsicherung RETAINER	PBT-GF30	schwarz/BLACK	1a

THIS DRAWING IS A CONTROLLED DOCUMENT. DATE: 07JUL2008. BY: LOECSER. CH: RIBBER. DATE: 07JUL2008. G: MUMBER. DATE: 08JUL2008. DIMENSIONS: 0 PFC Ø0.5, 1 PFC Ø0.5, 2 PFC Ø0.5, 3 PFC Ø0.5, 4 PFC Ø0.5. PRODUCT SPEC: 108-94.177-1. APPLICATION SPEC: 114-18910-1. MATERIAL: FINISH: ANGLE: 45°. WEIGHT: 6.76g. CUSTOMER DRAWING. SCALE: 5:1. SHEET: 1 OF 1. REV: A7.

MALE HOUSING, 4Pos., MCON 1.2 SEALED TOP / SIDE LATCH. Stiftgehaeuse, 4pol., MCON 1.2 gedichtet. A0 00779 C=1564559

REGRIND MAX. 25%