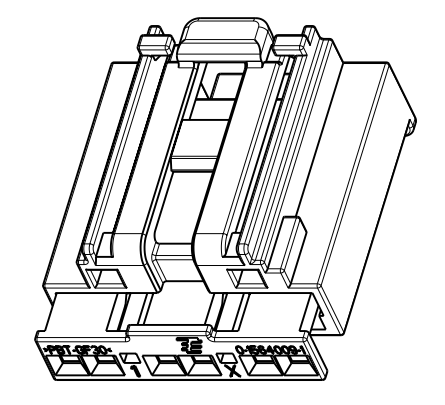
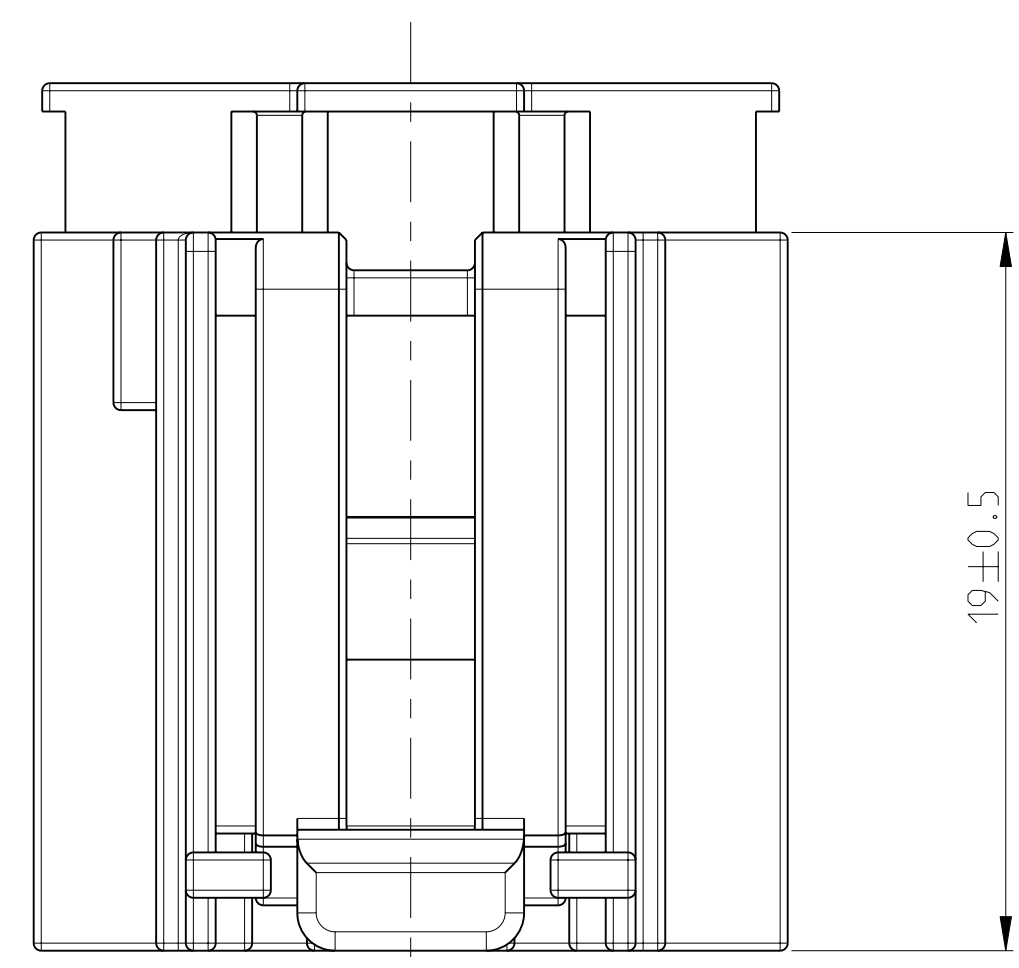
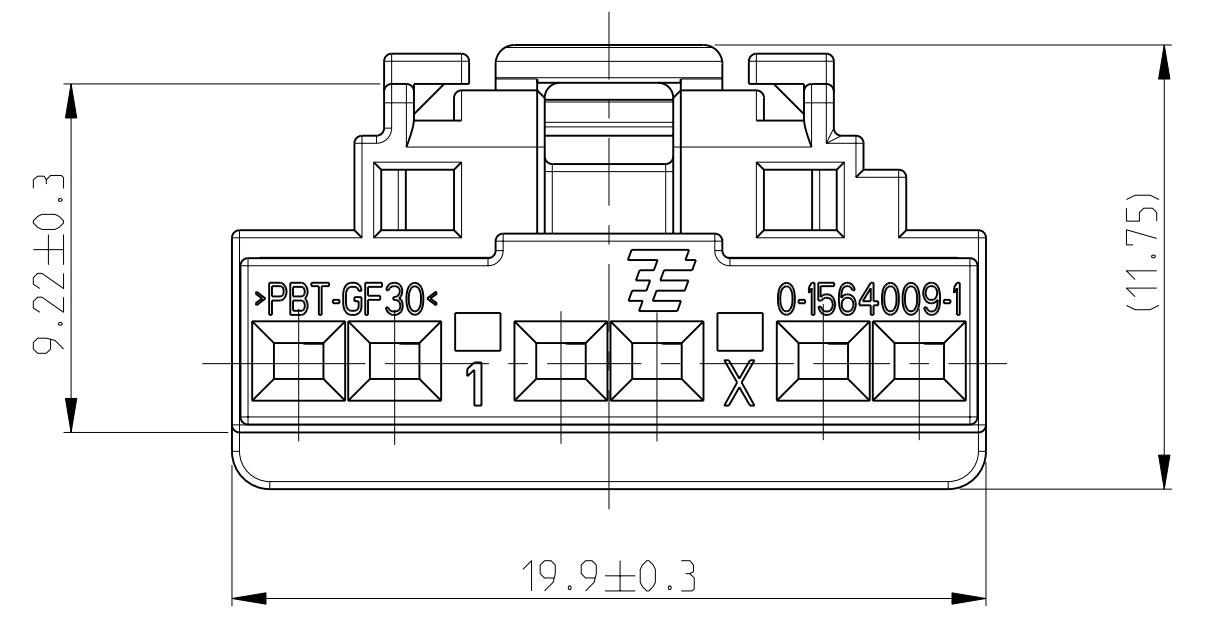
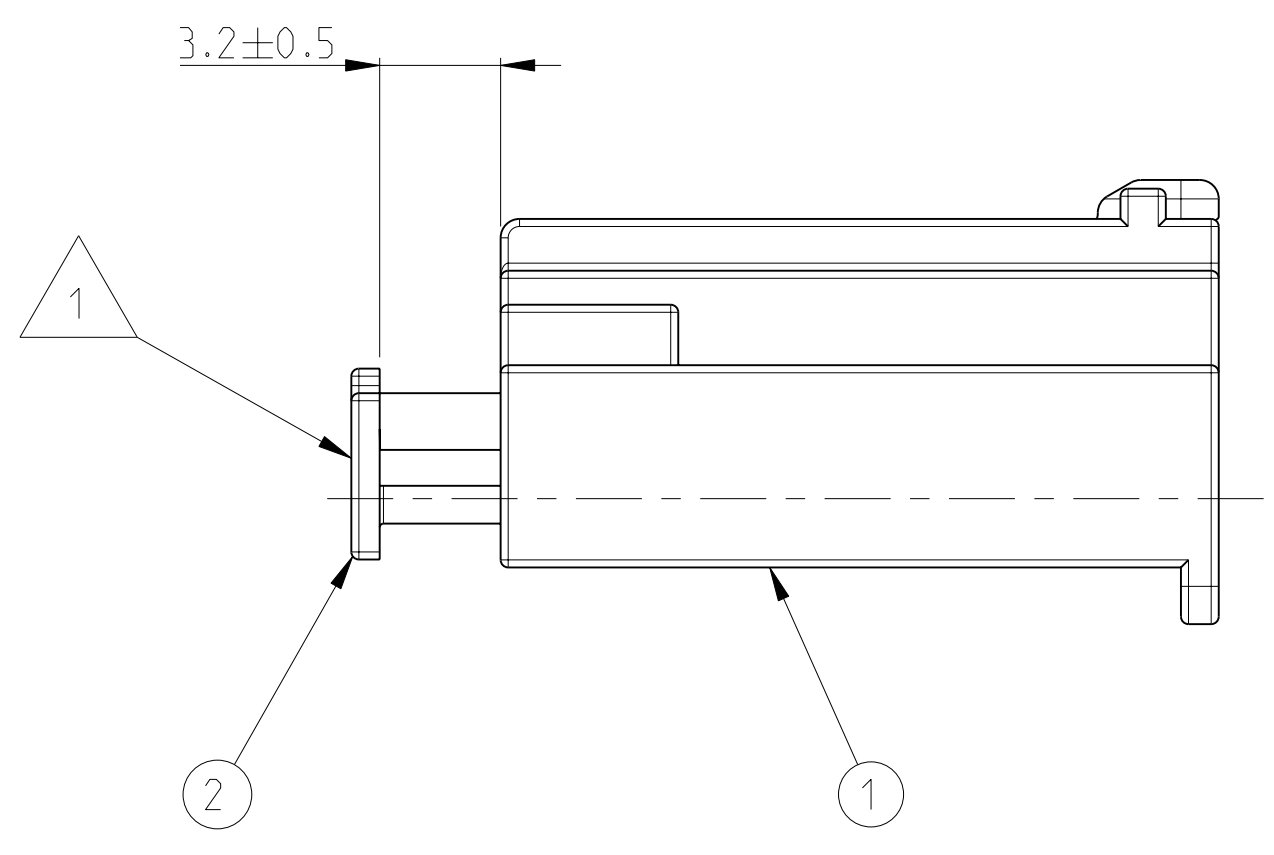
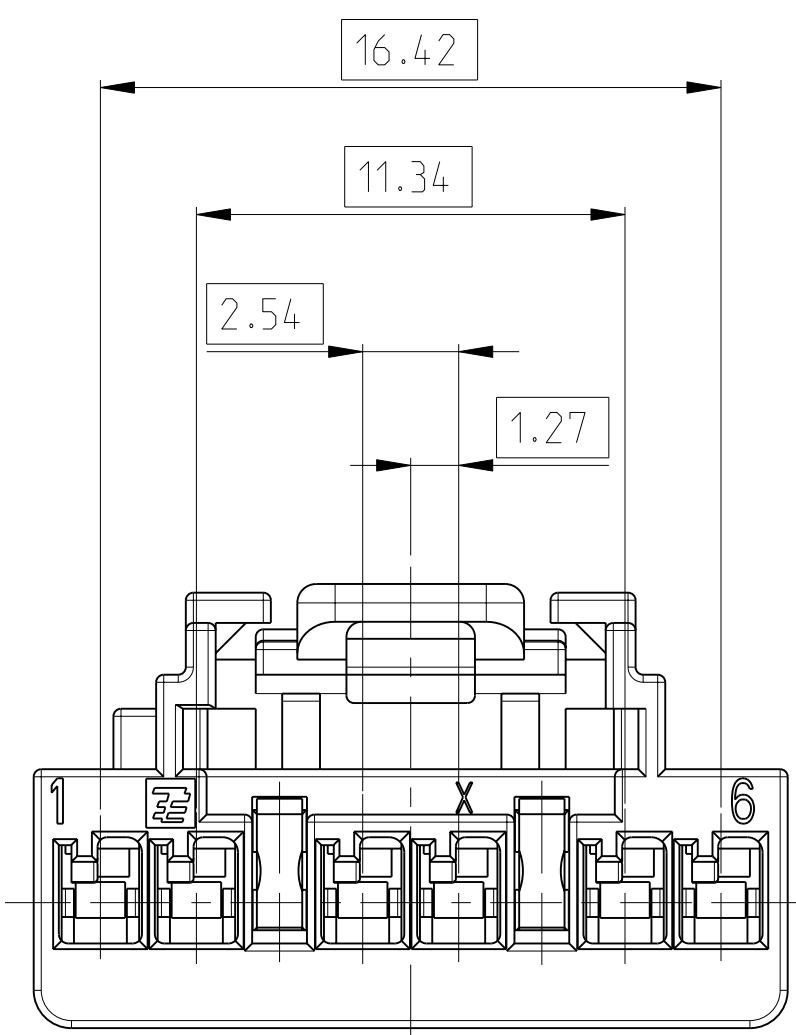
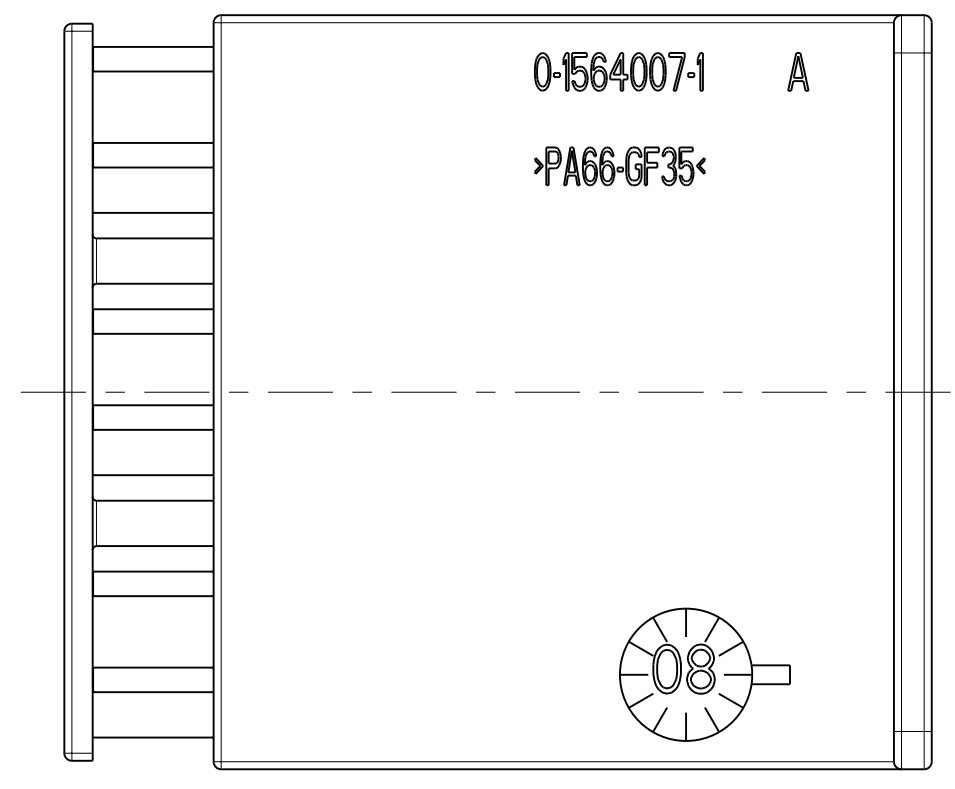


LOC	DIST	REV	DATE	DWN	APVD
A1	-	A	10 JUN 2008	HM	GS
		A1	17 SEP 2008	HM	GS



NOTES:
 Bemerkungen:

1 DELIVERY POSITION: SPACER IN PRE LOCK POSITION
 Auslieferungszustand: Spacer in Vorraststellung

2 PACKING: CORRUGATED LAYER PAD IN SHIPPING BOX
 Verpackung: Lagenverpackung

3 SUITABLE GET FEMALE TERMINALS:
 Passende GET Buchsenkontakte:

TE-PN	FORD-PN	WIRESIZE	FINISH
0-1393364-1	1L2T-14474-DA	0,22 / 0,35mm ²	GOLD
0-1393365-1	1L2T-14474-CA	0,50 / 0,75mm ²	GOLD

3 DENOTES BASIC DIMENSIONS HAVE ZERO TOLERANCE AND DESCRIBE THE THEORETICAL EXACT LOCATION (TRUE POSITION) OF A FEATURE OR CONTOUR.
 Theoretische Funktionsmasse, sie haben keine Toleranz und geben eine genaue Lage, Funktion oder Kontur an.

TE-ASSY PART-NO.	REV	QTY	DESCRIPTION	MATERIAL	COLOR	ITEM NO.
0-1564003-1	A	1	SPACER	PBT-GF30	RED	2
		1	REC. HOUSING	PA66-GF35	YELLOW	1

DIMENSIONS:	TOLERANCES UNLESS OTHERWISE SPECIFIED:
mm	0 PLC ±
	1 PLC ±
	2 PLC ±
	3 PLC ±
	4 PLC ±
	ANGLES ±
	FINISH ±

DWN	A. Loebser	04 DEC 2007	NAME	6POS. GET 0.64, REC HSG. ASSY
CHK	G. Steinbach	05 DEC 2007	SIZE	A 00779 C=1564003
APVD	E. Mumper	05 DEC 2007	SCALE	5:1
PRODUCT SPEC			SHEET	1 OF 1
APPLICATION SPEC			REV	A1
WEIGHT			CUSTOMER DRAWING	