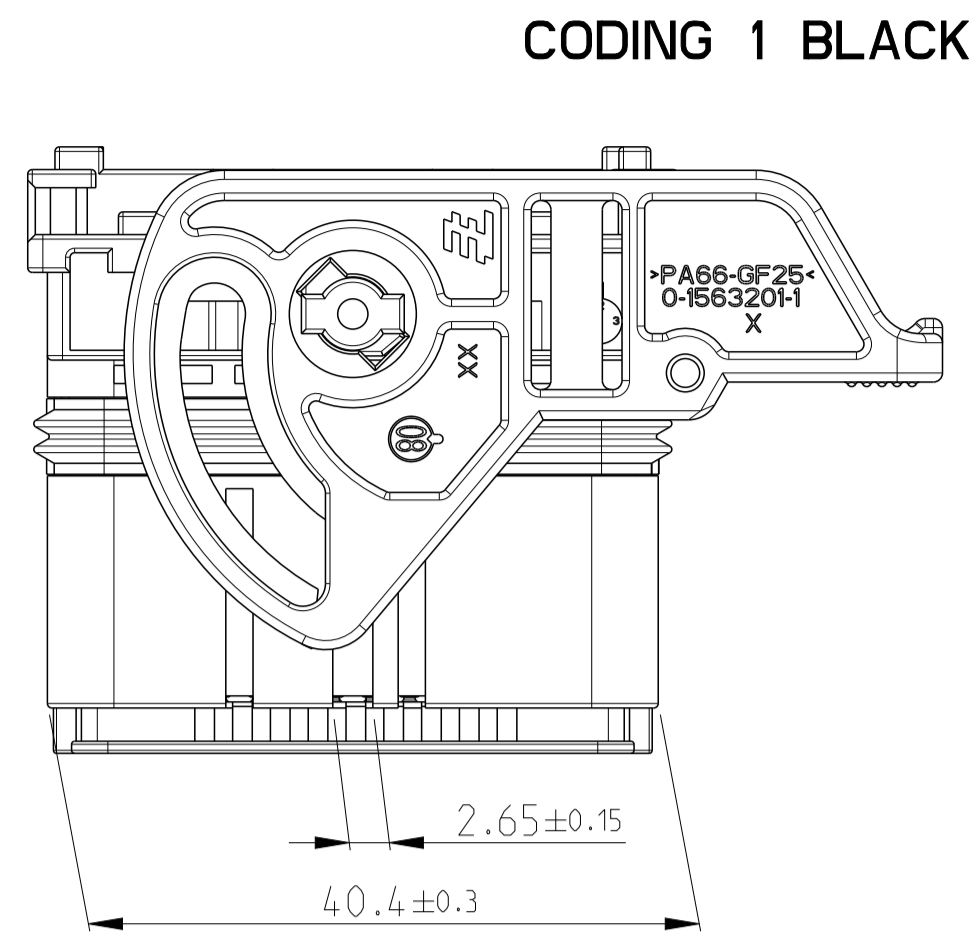
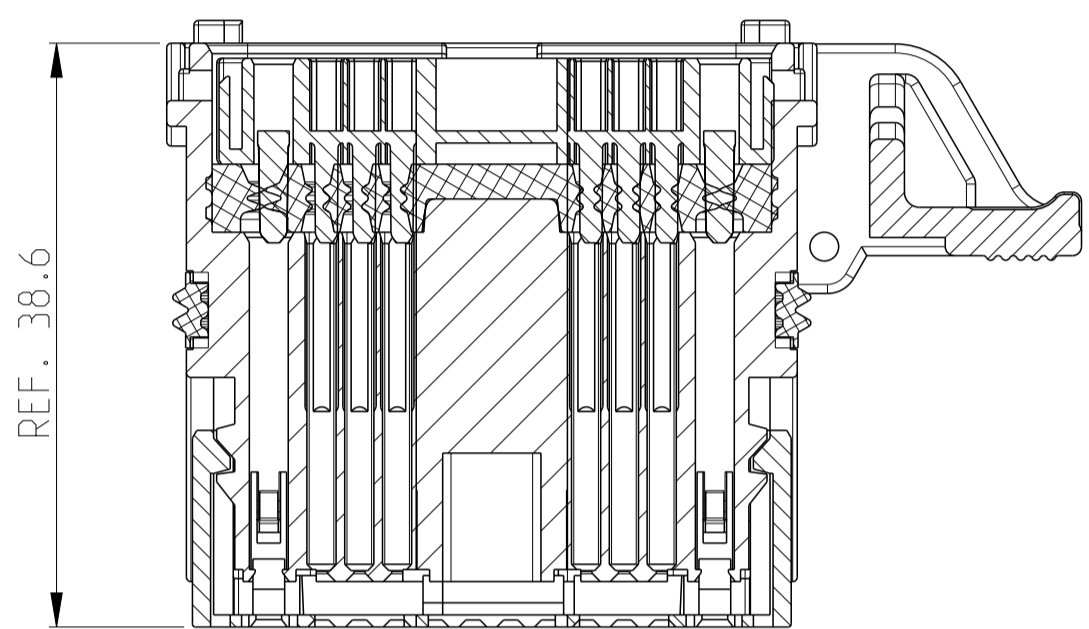


VIEW WITH COVER, LEVER IN END-LOCK POSITION. THE COVER IS A SEPARATE SALES PART. Ansicht mit Kappe, Hebel in Endraststellung. Die Kappe ist ein separates Verkaufsteil.

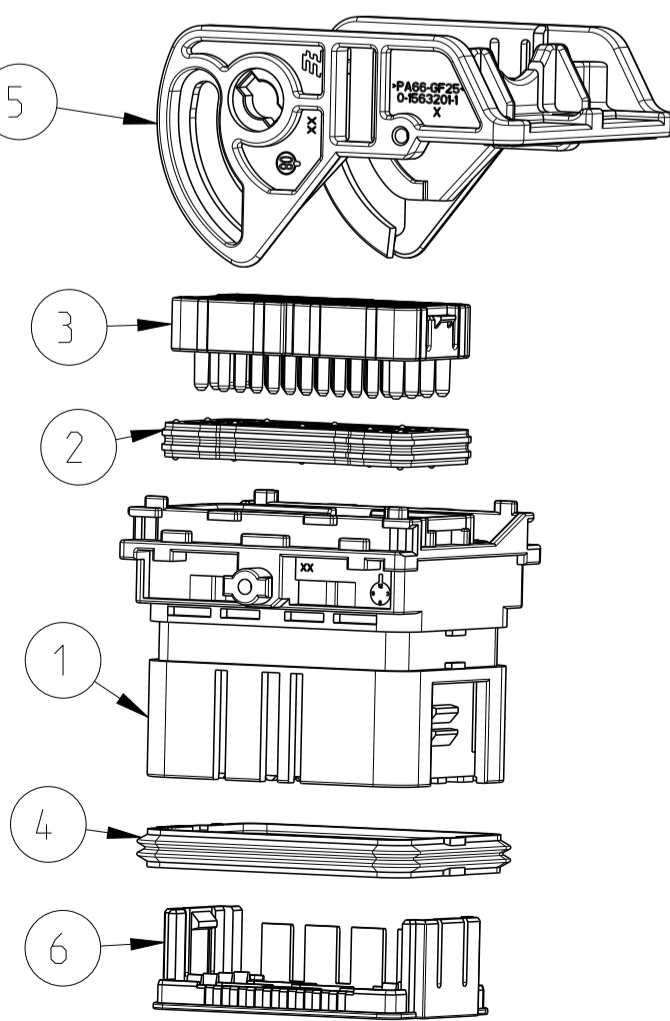
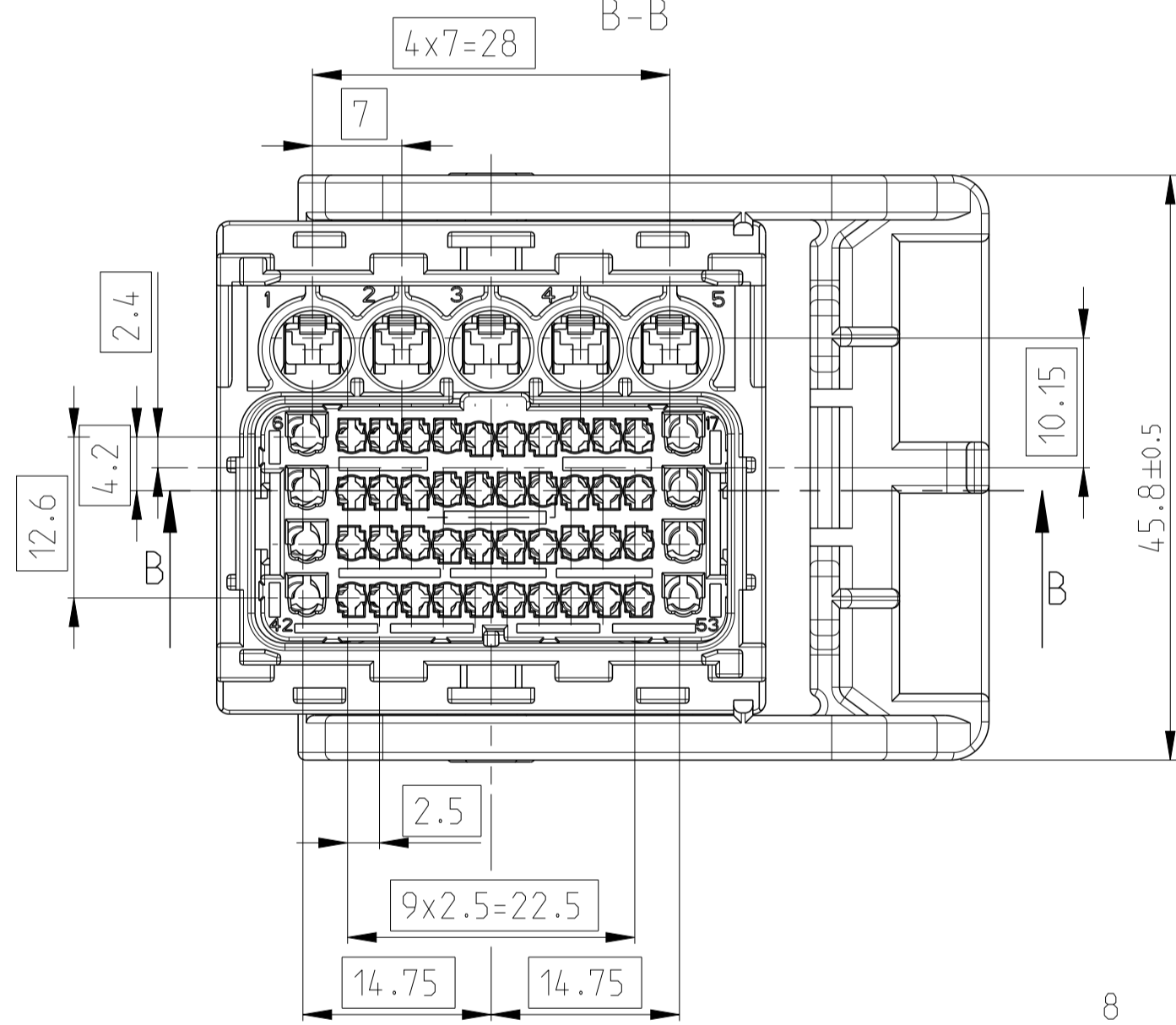
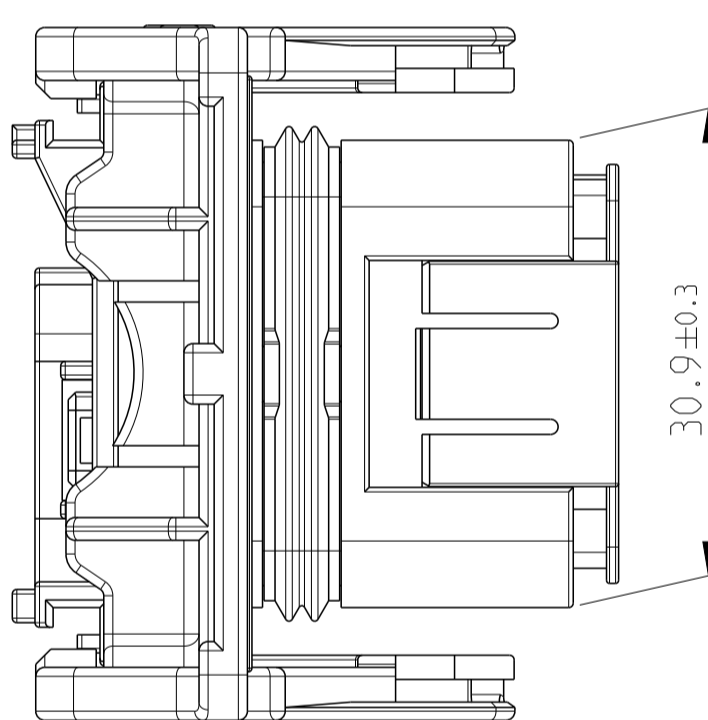


CODING 1 BLACK



REF. 38.6

B-B



1:1

NOTES:

Bemerkungen:

- PARTS MUST CONFORM TO USCAR 2, REV. 4
Teile entsprechen USCAR 2, Rev. 4
- CONNECTOR MATING / UNMATING FORCES MAX. 75N
Steckkraft / Oeffnungskraft max. 75N
- SEALING FUNCTION REQUIRES ONLY FOLLOWING WIRE SIZE DIAMETERS FOR THE TERMINALS:
Zur Sicherstellung der Dichtigkeit duerfen folgende Drahtquerschnitte bei den Kontakten verwendet werden:
MQS TERMINAL: 0.35mm² - 0.75mm² = OD Ø 1.2 - 1.9mm
TE 1.5 TERMINAL: 0.5mm² - 1.5mm² = OD Ø 1.4 - 2.4mm

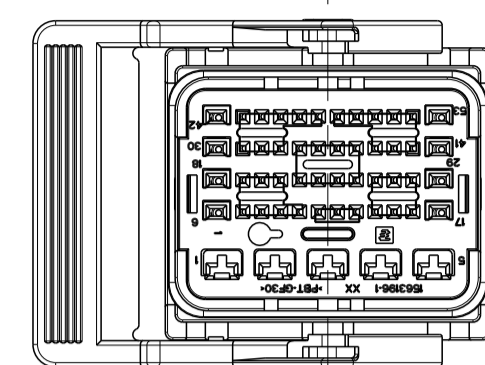
- MATED WITH:
Passend zu:
COVER 0-1563200-1/-2
Kappe 0-1563200-1/-2

- ⚠ SPACER IN PRE LOCK POSITION
Spacer in vorraststellung
- ⚠ MARKING WITH TE PN. SEE PINOUTCONFIGURATION TABLE
Markierung fuer TE PN. siehe Pinoutkonfigurationstabelle
- ⚠ A THREE DIGIT MARKING ACCORDING TABLE LOCATED ON SIDE OF THE FEMALE HOUSING SEE DRAWING 1563194
Eine dreistellige Markierung gemaess der Tabelle auf der Seite des Kontaktgehäuses siehe Zeichnung 1563194

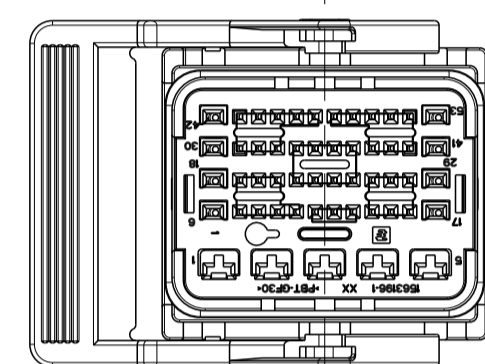
- PACKAGING WITH TRAY
Verpackung mit Tray
- NOTE 6 AND 7 ALWAYS TO BE MARKED ON THE OPPOSITE SIDE OF THE LEVER
Beschriftung von Note 6 und 7 immer auf der Gegeneberliegende Seite des Hebel

APPLICABLE TERMINALS							
MQS CB	968220-1	3MST-14474-AAA	PRE-TIN	0.35 - 0.5	Ø1.20 - 1.60	TYCO ELECTRONICS PN: 1394871-1	
MQS CB	968221-1	8NSN-14474-AA	PRE-TIN	0.5 - 0.75	Ø1.40 - 1.90		
1.5	638652-2	6C1T-14474-DBA	PRE-TIN	0.5 - 1.00	Ø1.40 - 2.30	TYCO ELECTRONICS PN: 1670108-1	
1.5	638652-1	6C1T-14474_DAA	PRE-TIN	1.00 - 1.50	Ø1.90 - 2.40		
AMP 2.8	1326032-1	1F1T-14474-EA	PRE-TIN	0.35		978G-10C930-EA	
AMP 2.8	1326032-2	1F1T-14474-FA	PRE-TIN	0.5		978G-10C930-FA	
AMP 2.8	1326032-3	1F1T-14474-GA	PRE-TIN	0.75 - 1.00		978G-10C930-GA	
AMP 2.8	1326032-5	1F1T-14474-JA	PRE-TIN	1.5 - 2.5			
TERMINALS SIZE Kontaktabmessung	TERMINALS TE PN TE Kontakt PN	FORD COMP. PART NO.	FINISH Oberflaeche	WIRE SIZE (mm ²) Drahtquerschnitt (mm ²)	WIRE SIZE DIAMETER Kabeldurchmesser	WIRE SEAL Ford PN.	BLIND PLUG

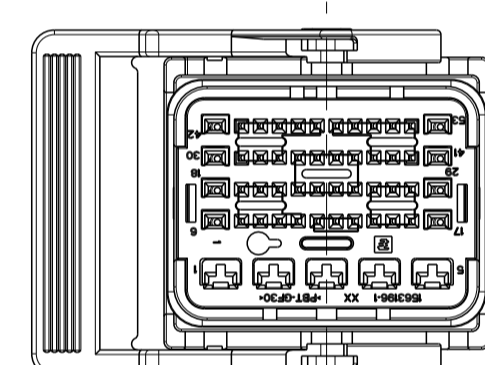
M 1:1



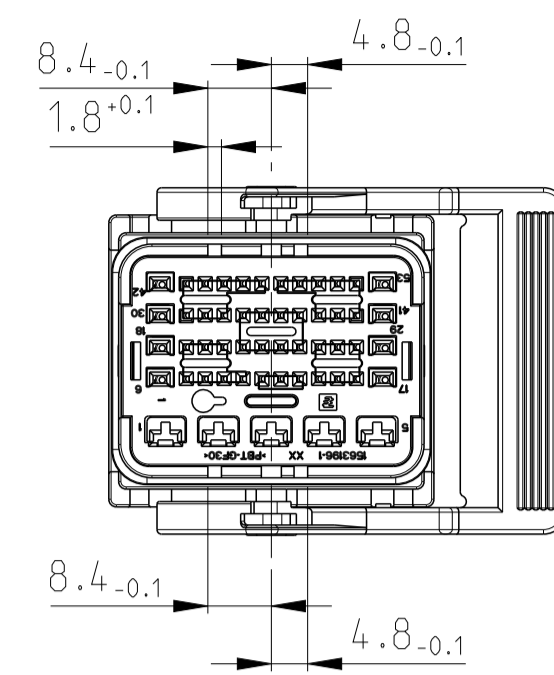
CODING 1 BLACK LEVER LEFT CABLE EXIT RIGHT PN 1563898



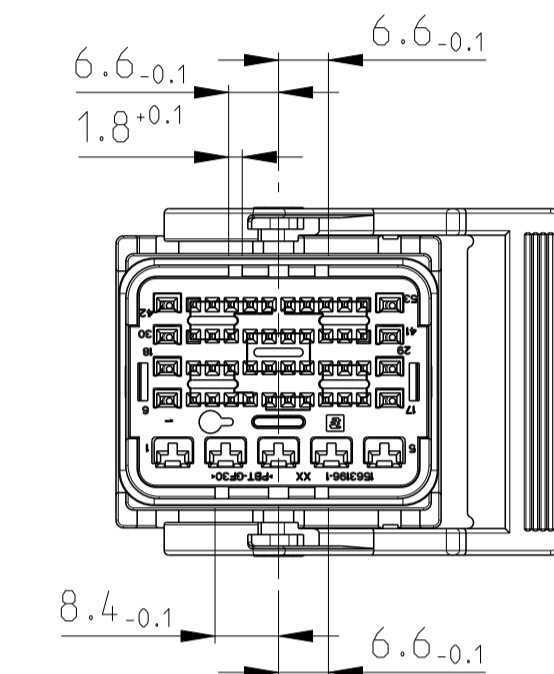
CODING 2 GREY LEVER LEFT CABLE EXIT RIGHT PN 1563900



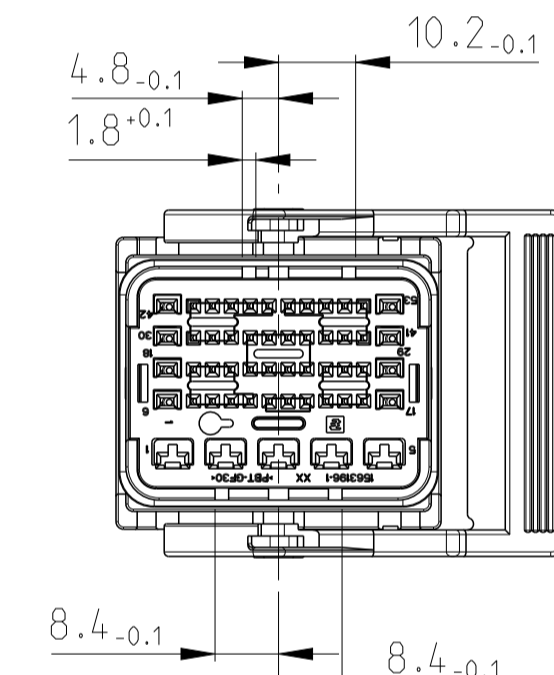
CODING 3 BROWN LEVER LEFT CABLE EXIT RIGHT PN 1563901



CODING 1 BLACK LEVER RIGHT CABLE EXIT LEFT PN 1563193



CODING 2 GREY LEVER RIGHT CABLE EXIT LEFT PN 1564294



CODING 3 BROWN LEVER RIGHT CABLE EXIT LEFT PN 1563194

PIN-OUT CONFIGURATION SEE DRAWING 1563194

LOC	DIST	REV	DATE	BY	CHK	APP'D	DESCRIPTION	DATE	BY	CHK	APP'D
A1	-	B3	E-09-025243					18NOV2009	MK	GM	
		C	ECR-10-012023					07JUN2010	GP	GM	
		D	E-12-020612					12DEC2012	MK	KR	

QTY	UNIT	PART NO.	DESCRIPTION	COLOR	ITEM NO.
1x	1x	PBT-GF30	53POS.CONNECTOR SPACER	RED	6
1x	1x	PA66-GF25	53POS.CONNECTOR LEVER LEFT	BLACK	5
		PA66-GF25	53POS.CONNECTOR LEVER RIGHT	BLACK	5
1x	MVQ	MVQ	53POS.CONNECTOR PERIPHERAL SEAL	ORANGE	4
1x	1x	PBT-GF20	53POS.CONNECTOR COVER FOR FAMILY SEAL	BLACK	3
1x	MVQ	MVQ	53POS.CONNECTOR FAMILY SEAL	LIGHT BLUE	2
1x	1x	PA66-GF35	53POS.CONNECTOR FEMALE HOUSING CODING 3	BROWN	1
		PA66-GF35	53POS.CONNECTOR FEMALE HOUSING CODING 2	GREY	1
		PA66-GF35	53POS.CONNECTOR FEMALE HOUSING CODING 1	BLACK	1
			MATERIAL DESCRIPTION	COLOR	ITEM NO.

PART NUMBER OF EACH ASSY						CODING LEVER POSITION	
LOC	DIST	REV	DATE	BY	CHK	APP'D	REVISION OF EACH ASSY
X-1563901-X	X-1563194-X	X-1563900-X	X-1564294-X	X-1563898-X	X-1563193-X		
CODING 3 LEFT	CODING 3 RIGHT	CODING 2 LEFT	CODING 2 RIGHT	CODING 1 LEFT	CODING 1 RIGHT		
D	D	D	D	D	D		

DIMENSIONS:		TOLERANCES UNLESS OTHERWISE SPECIFIED:		MATERIAL		FINISH		WEIGHT		CUSTOMER DRAWING	
mm	0 PLC	±0.30	±0.30	114-18903							
	1 PLC	±0.30	±0.30								
	2 PLC	±0.30	±0.30								
	3 PLC	±0.30	±0.30								
	4 PLC	±0.30	±0.30								
	ANGLES	±0.1	±0.1								

NAME	SIZE	CAGE CODE	DRAWING NO.	RESTRICTED TO
53 POS. PCM MIXED REC. HSG.	A1	00779	1563193	