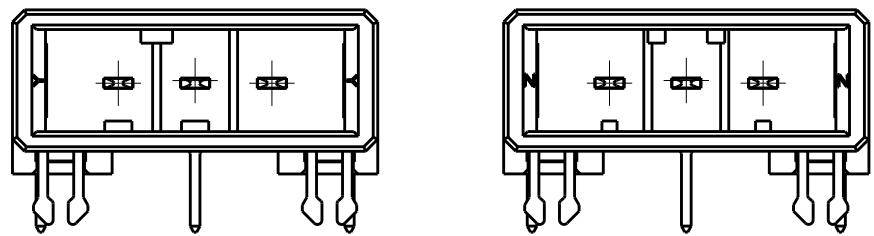
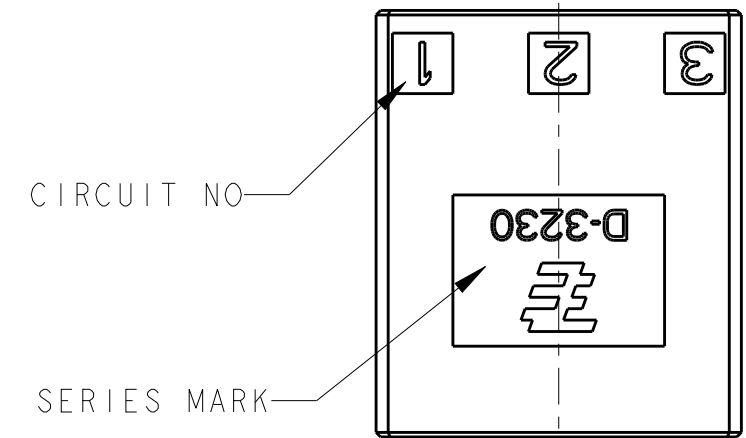
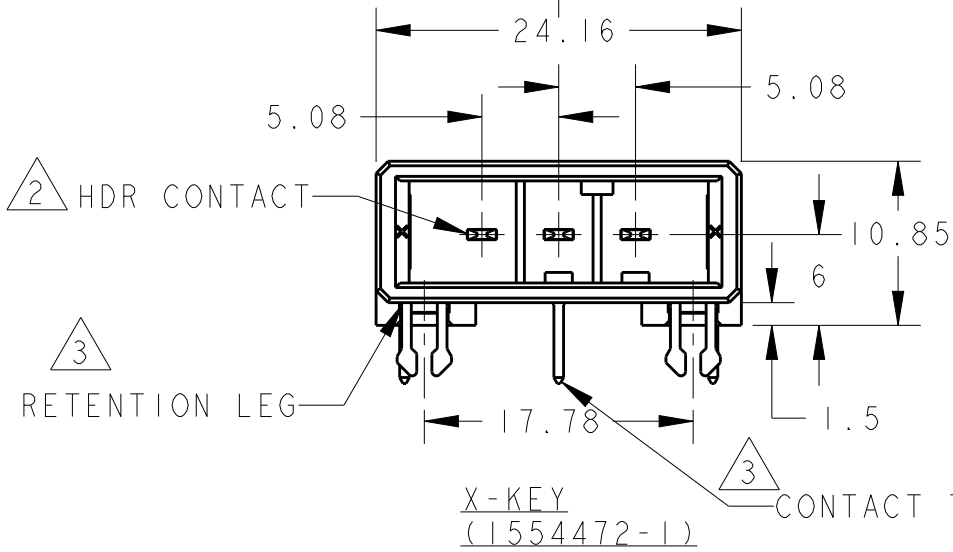


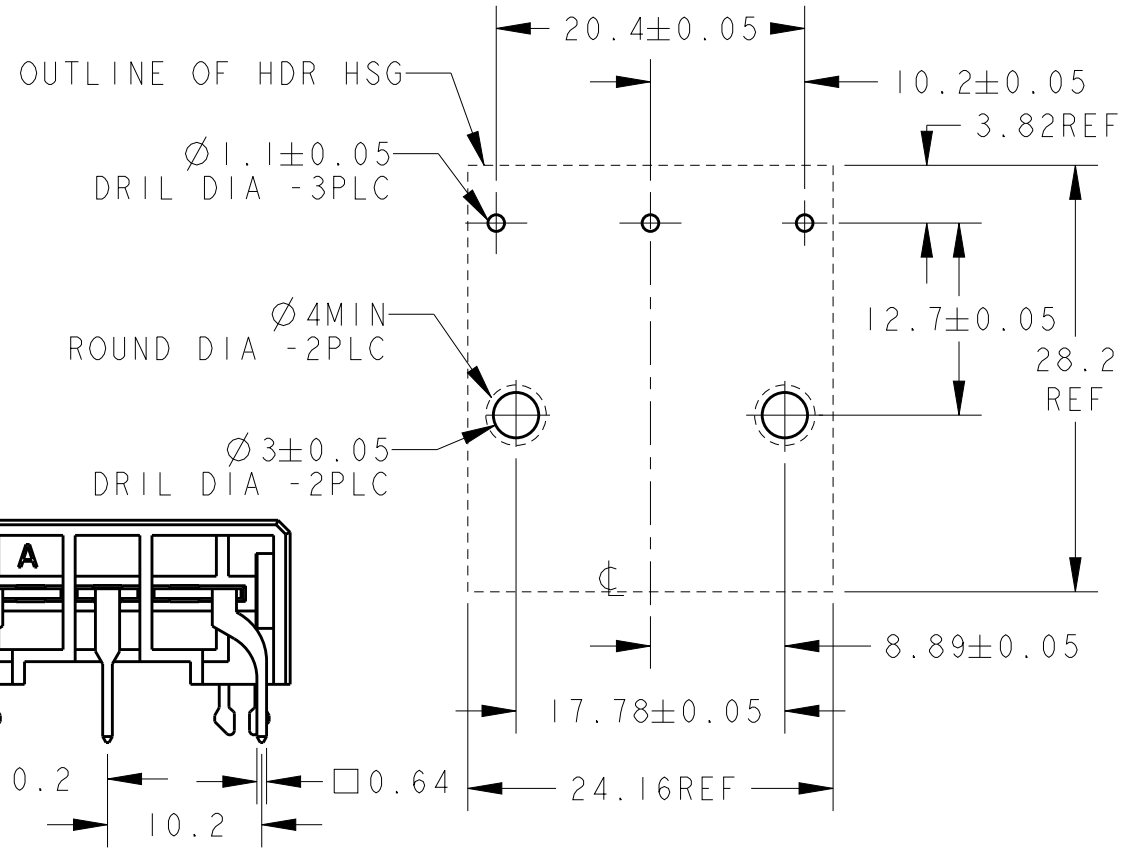
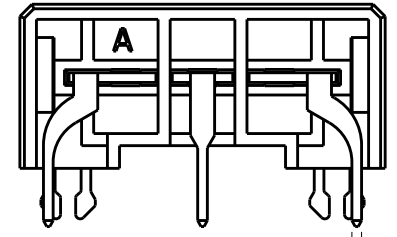
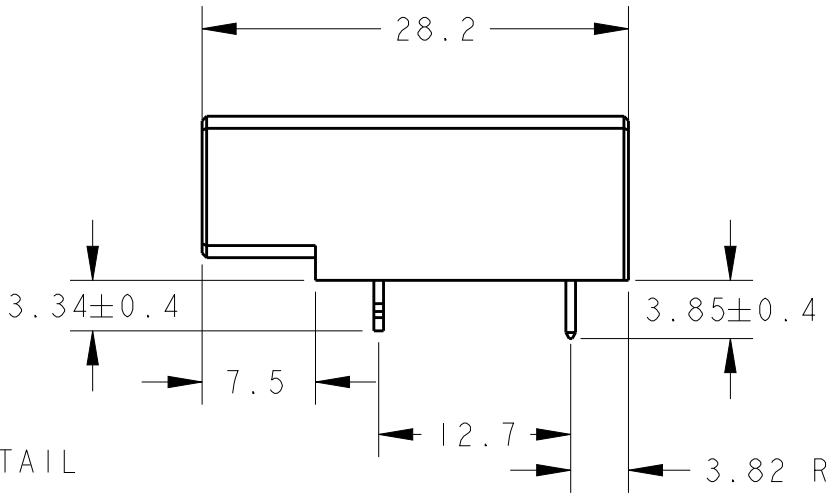
REVISIONS					
P	LTR	DESCRIPTION	DATE	DWN	APVD
	B	REVISED, ECR-17-000440	12JAN2017	H.O	N.Y



Y-KEY (1554472-2)
 Z-KEY (1554472-3)



X-KEY (1554472-1)
 CONTACT TAIL



NOTES
 1. MATERIAL: HOUSING: GLASS FILLED THERMO PLASTIC, POLYESTER
 CONTACT: COPPER ALLOY
 RETENTION LEG: COPPER ALLOY

- ②. FINISH: 0.38μm MIN GOLD PLATING OVER Ni PLATING
- ③. FINISH: TIN PLATING OVER NICKEL

- 注記
- 1. 材料: ハウジング: ガラス入り熱可塑性 ポリエステル樹脂
 コンタクト: 銅合金
 リテンションレグ: 銅合金
 - ②. めっき: 全面ニッケル下地
 接触部: 0.38μm MIN金めっき
 - ③. めっき: ニッケル下地の上に錫めっき

THIS DRAWING IS A CONTROLLED DOCUMENT.		DWN T. SAMI 11DEC2009	TE Connectivity	
DIMENSIONS: mm		CHK N. YAMASAKI 11DEC2009		
TOLERANCES UNLESS OTHERWISE SPECIFIED: ±0.3		APVD T. KIMURA 11DEC2009	NAME D3230 HDR ASSY 3POS.	
0 PLC ± 1 PLC ± 2 PLC ± 3 PLC ± 4 PLC ± ANGLES ±5		PRODUCT SPEC 108-5349	RESTRICTED TO	
MATERIAL		APPLICATION SPEC	SIZE A3	CAGE CODE 00779
FINISH		WEIGHT 5.31g	DRAWING NO C=1554472	
		CUSTOMER DRAWING	SCALE 2:1	SHEET 1 OF 1
			REV B	