

LOC	DIST	REVISIONS					
		P	LTR	DESCRIPTION	DATE	DWN	APVD
J	/		A	RELEASED	20APR12	YS	HY
			AI	REVISED ECR-24-200576	05FEB24	MO	RK

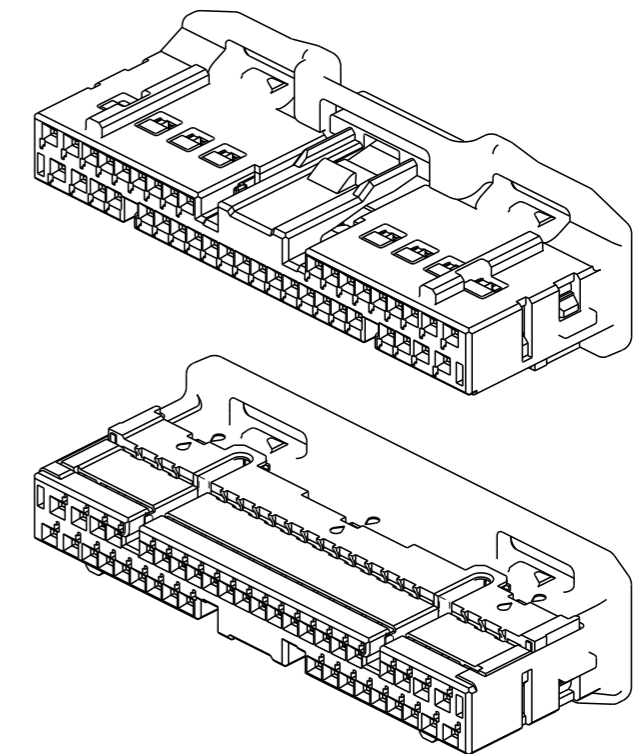
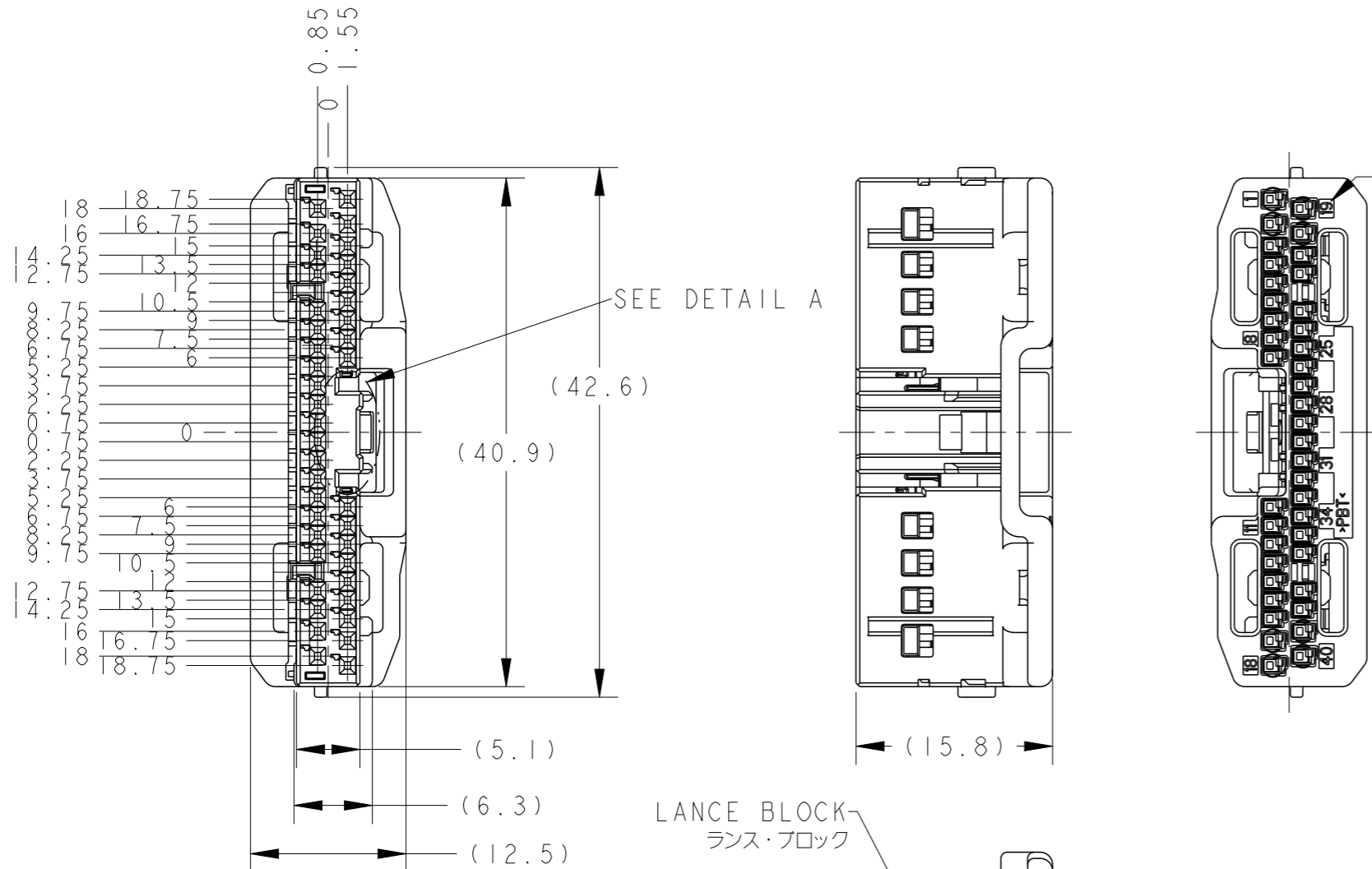
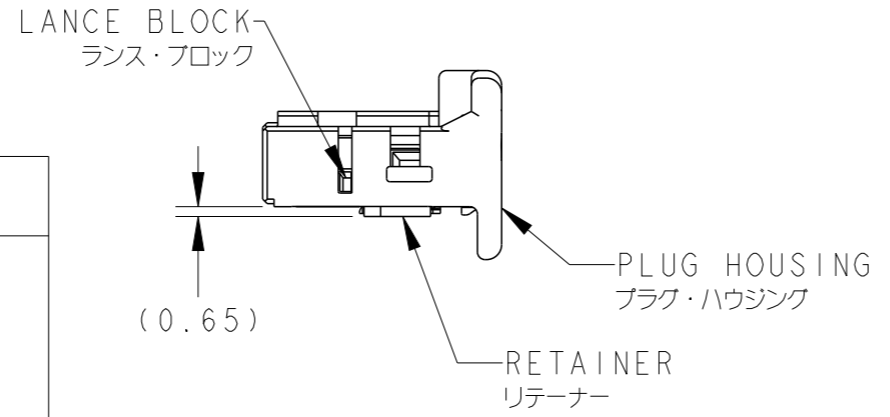


TABLE-3 AI

IDENTIFICATION MARK 識別マークの有無	DETAIL A
NO/無し	
YES/有り	



- 嵌合相手型番: 1554287-1
PART NUMBER OF CAP HOUSING TO BE MATED: 1554287-1
- キャビティ構成; TABLE-2参照
DETAIL OF CAVITIES; SEE TABLE-2
- 本製品の取扱は取扱説明書NO.411-78199に従うこと。
HANDLING OF THIS PART SHOULD FOLLOW THE INSTRUCTION SHEET NO.411-78199.
識別マーク TABLE-3 参照のこと

TABLE-1

PACKING STYLE	COLOR(色)	PART NUMBER(型番)
PAPER BOX ダンボール箱	BLACK(黒色)	1554289-1
PLASTIC BAG ビニール袋		
OUTER 外装		
INNER 内装		

TABLE-2

POS. 極数	CIRCUIT NO 回路番号	APPLIED CONTACT P/N 適用端子型番	APPLICABLE WIRE RANGE 適用電線 (mm ²)
32	3~16	1827855-1	AI CIVUS/CHFUS 0.22~0.35
	21~38	1827855-4	AI CIVUS/CHFUS 0.13~0.22
8	1, 2, 17, 18, 19, 20, 39, 40	1827855-1	AI CIVUS/CHFUS 0.22~0.35
		1827855-2	AI CIVUS/CHFUS 0.35~0.5
		1827855-3	AI CPEX 0.22

THIS DRAWING IS A CONTROLLED DOCUMENT.

DIMENSIONS: 単位: 概 mm

TOLERANCES UNLESS OTHERWISE SPECIFIED:
 一般公差 ±0.3
 0-PLC ±
 1-PLC ±0.1
 2-PLC ±0.01
 3-PLC ±0.001
 4-PLC ±0.0001
 ANGLES ±3'00"

MATERIAL 材料 PBT

FINISH 仕上 SEE TABLE-1

THIS DRAWING IS A CONTROLLED DOCUMENT.

DWN 20APR2012 Y. SUEMITSU
 CHK 20APR2012 R. KOMIYAMA
 APVD 20APR2012 H. YAMAGAMI

NAME 名称 PLUG ASSEMBLY 40POS, KEY TYPE 2, 0.50 SERIES CONNECTOR

PRODUCT SPEC 108-78208
 APPLICATION SPEC 114-5379

WEIGHT 2.8 g

CUSTOMER DRAWING

SCALE 2:1 SHEET 1 OF 1 REV AI