

REVISIONS					
P	LTR	DESCRIPTION	DATE	DWN	APVD
F4		DRAWING RE-ACTIVATED	25JUL2022	SCB	SS

- 1 MATERIAL: .0315±.0020 THICK, COPPER ALLOY
- 2 FINISH: .0002-.0006 BRIGHT TIN PLATE.
- 3 OBSOLETE PARTS: OBSOLETE CIS STREAMLINING PER D.RENAUD/D.SINISI

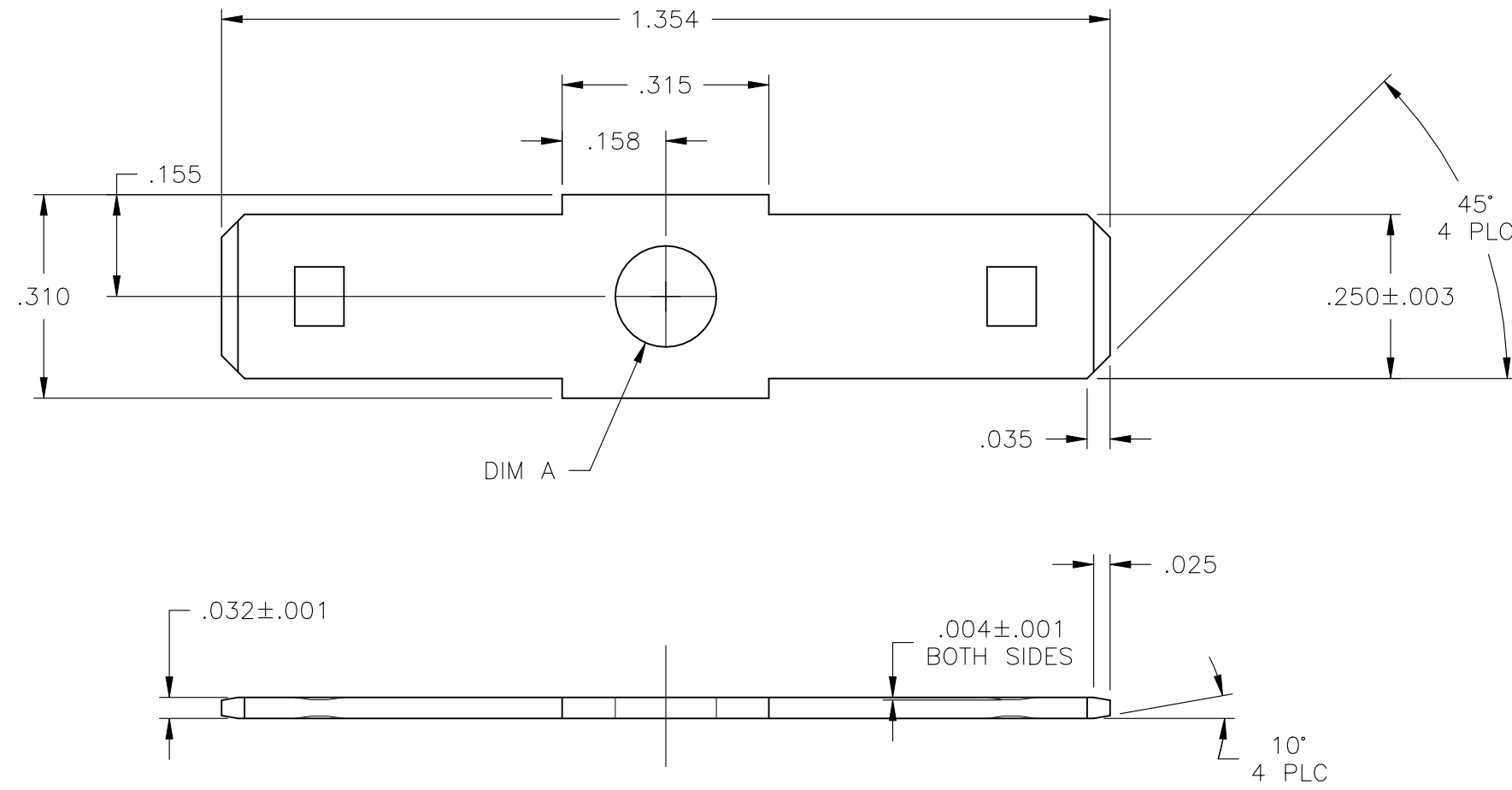


FIGURE 1

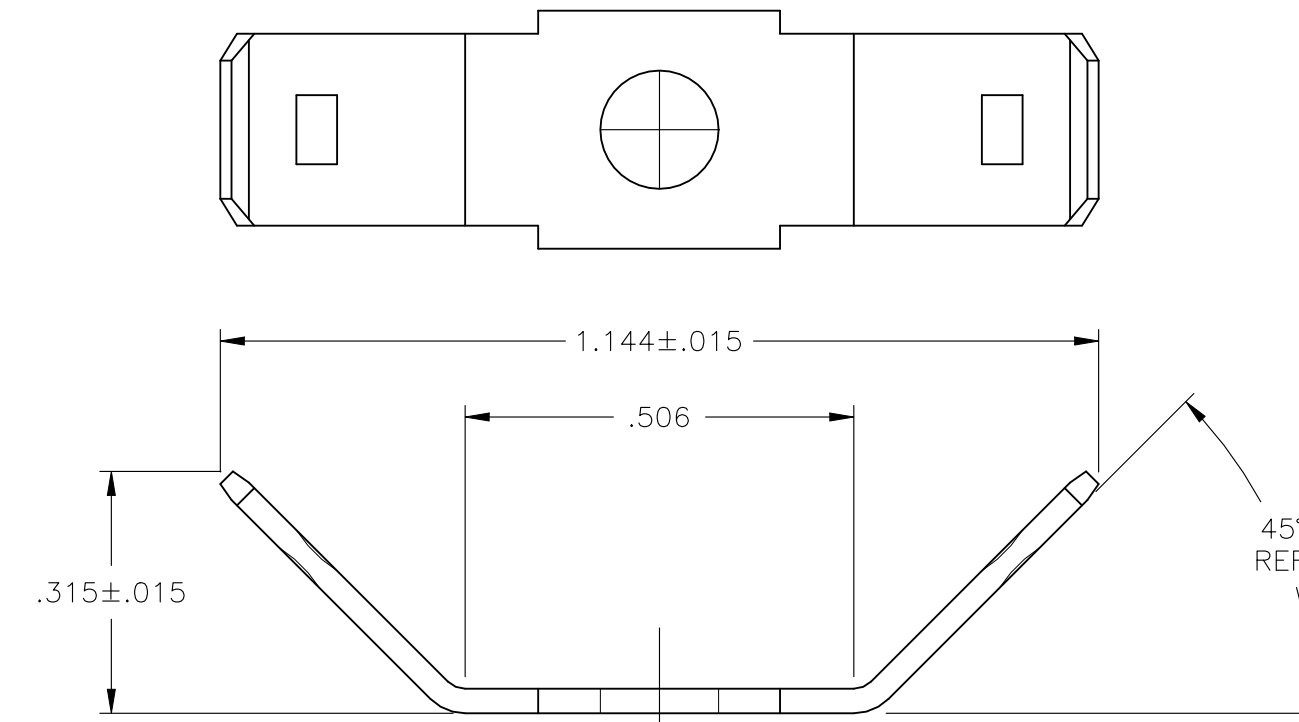


FIGURE 3

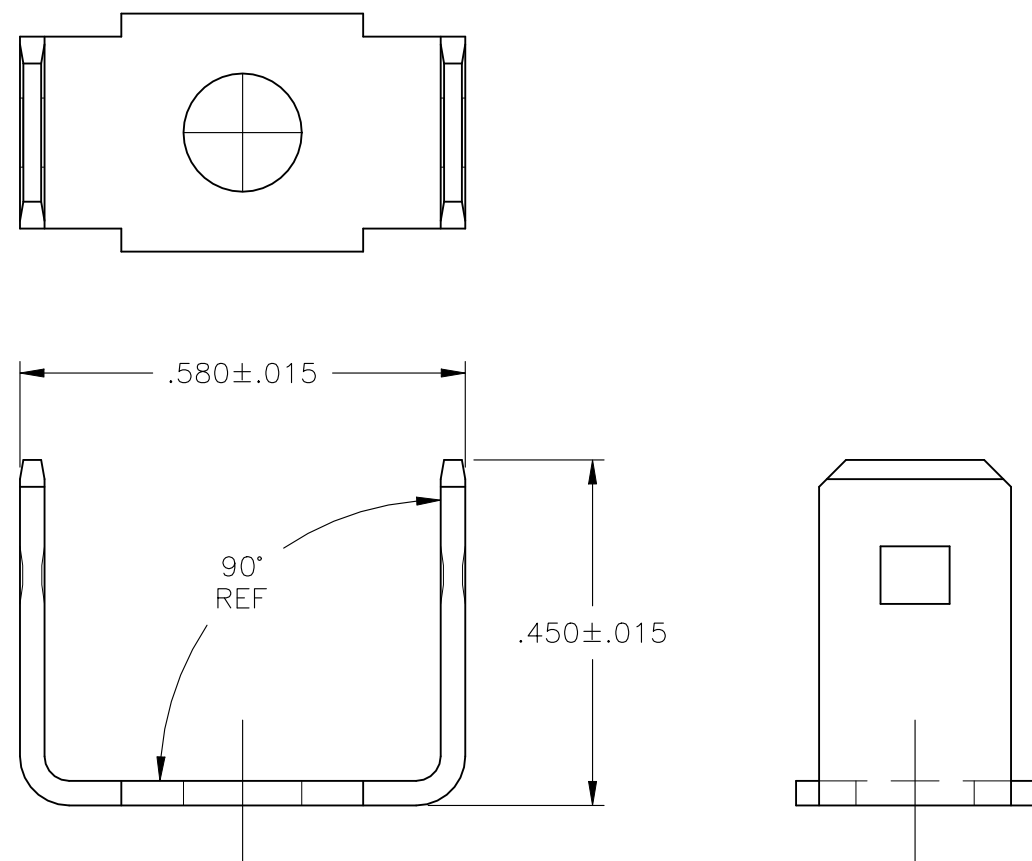


FIGURE 2

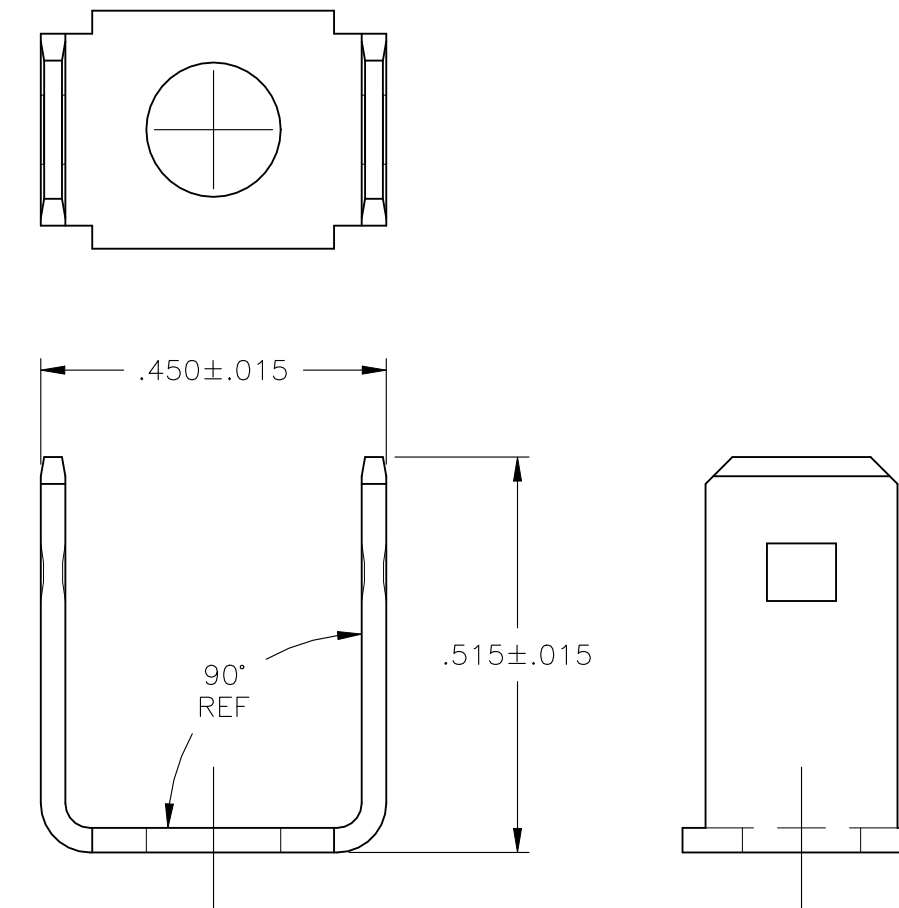


FIGURE 4

	.175	FIGURE 4	1546986-4
OBSOLETE	.154	FIGURE 3	-1546986-3
	.154	FIGURE 2	-1546986-2
OBSOLETE	.154	FIGURE 1	-1546986-1
	DIM A	FIGURE	PART NO.

THIS DRAWING IS A CONTROLLED DOCUMENT.		DWN	S SCHLEGEL	2/18/04		TE Connectivity							
DIMENSIONS: INCHES		CHK	S YODER	2/18/04		NAME							
TOLERANCES UNLESS OTHERWISE SPECIFIED:		APVD	S YODER	2/18/04		.250 WIDE QC TABS, DOUBLE SIDED							
0 PLC ± - 1 PLC ± - 2 PLC ± .01 3 PLC ± .005 4 PLC ± - ANGLES ± 2°		PRODUCT SPEC	-			JC6 & SSB7							
MATERIAL	1	FINISH	-			SIZE	A2	CAGE CODE	00779	DRAWING NO	C=1546986	RESTRICTED TO	-
CUSTOMER DRAWING						SCALE	4:1	SHEET	1 OF 1	REV	F4		