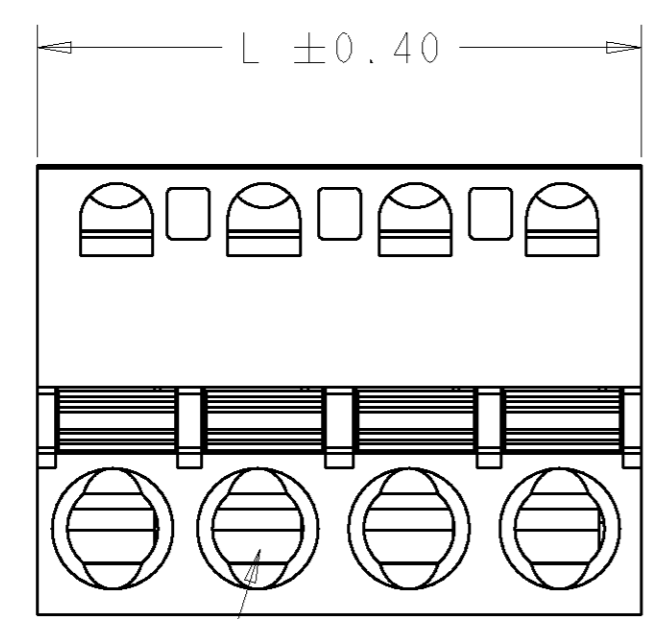
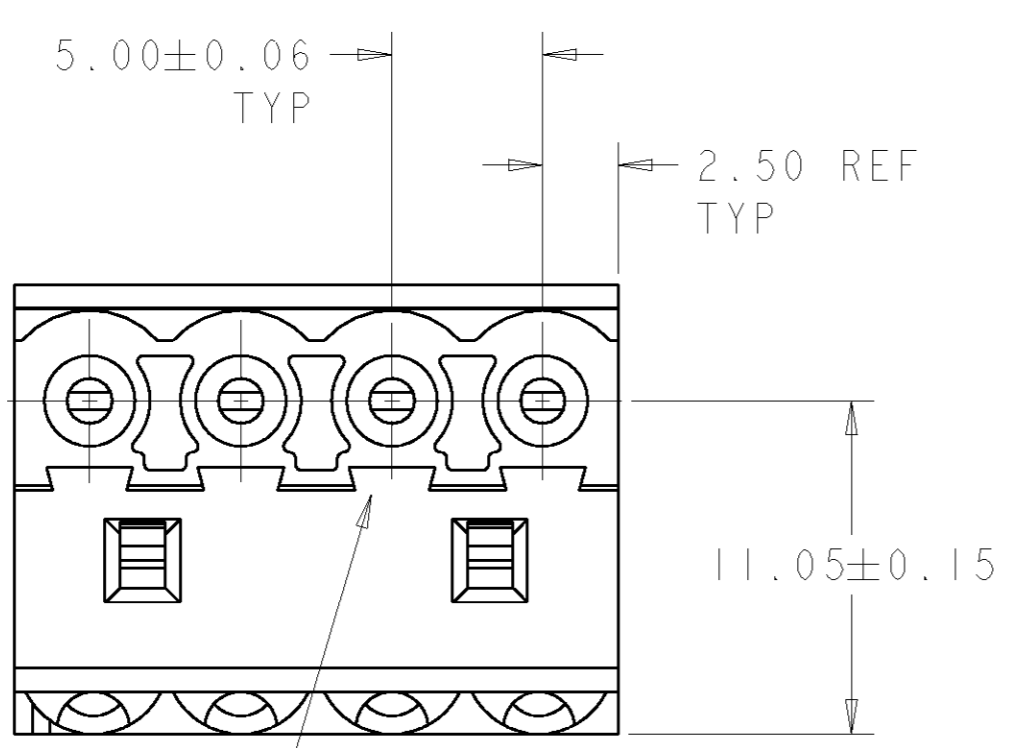
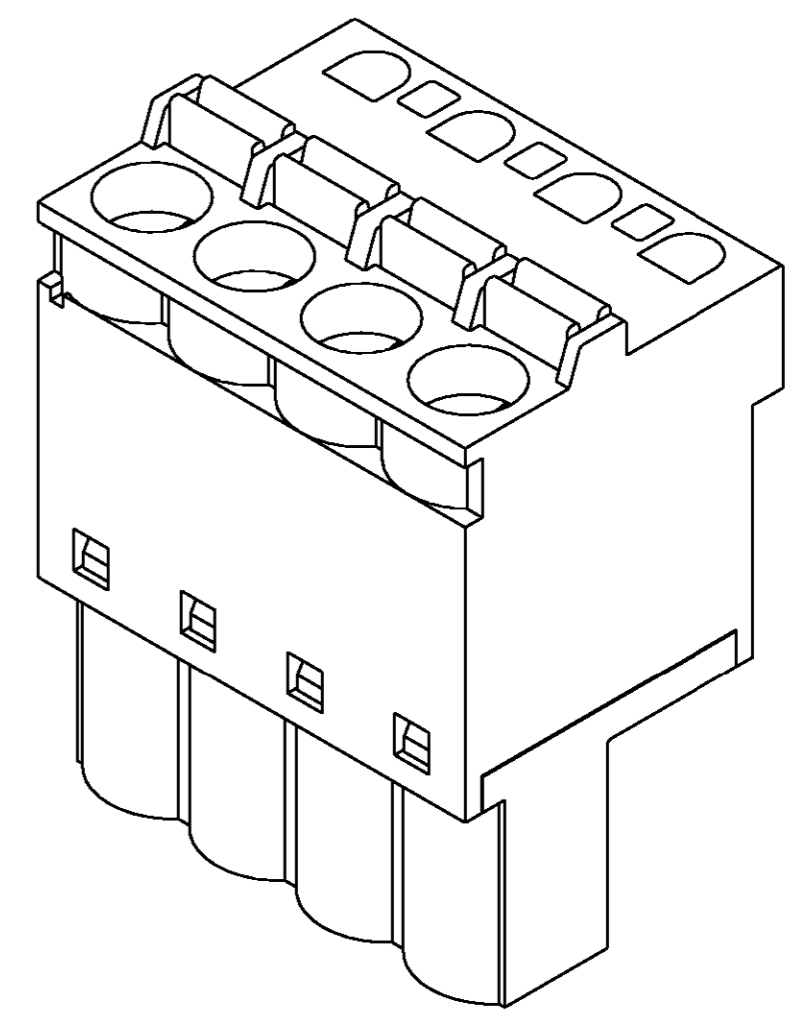
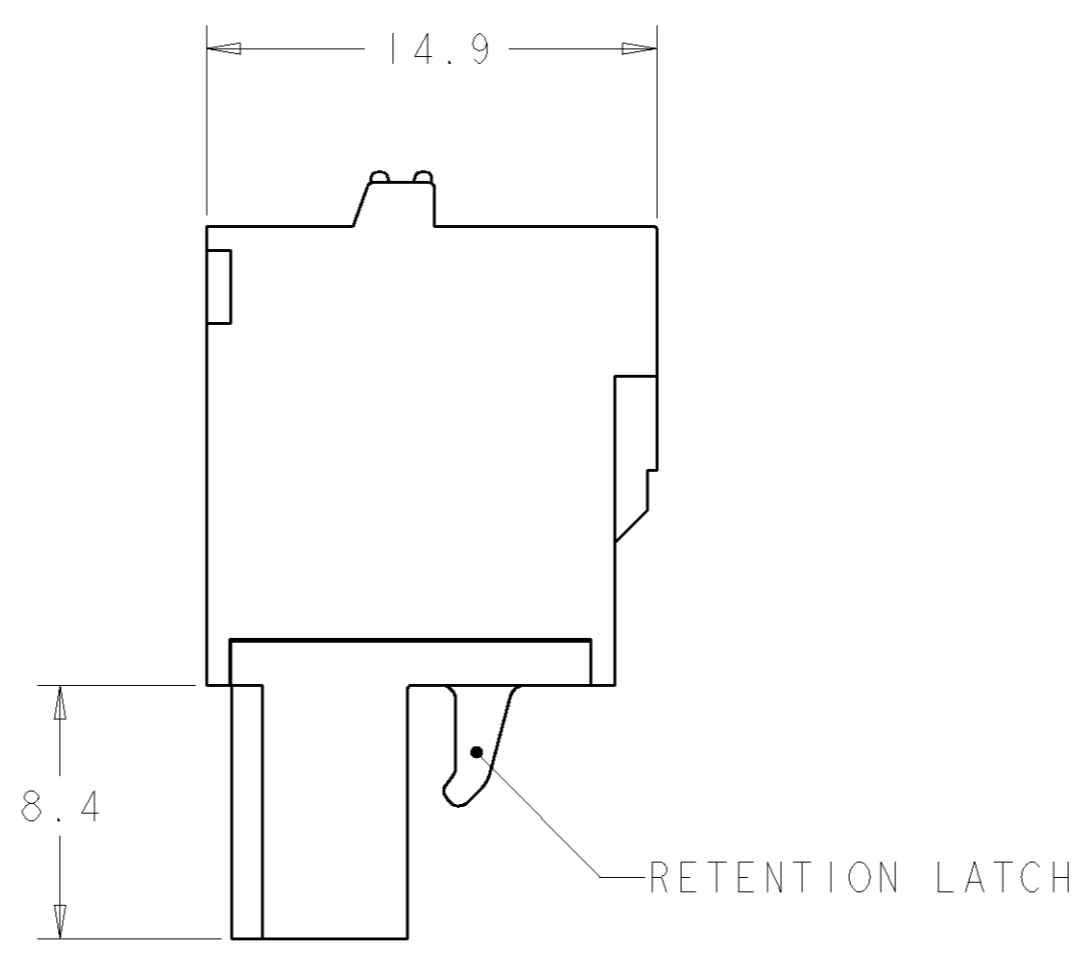
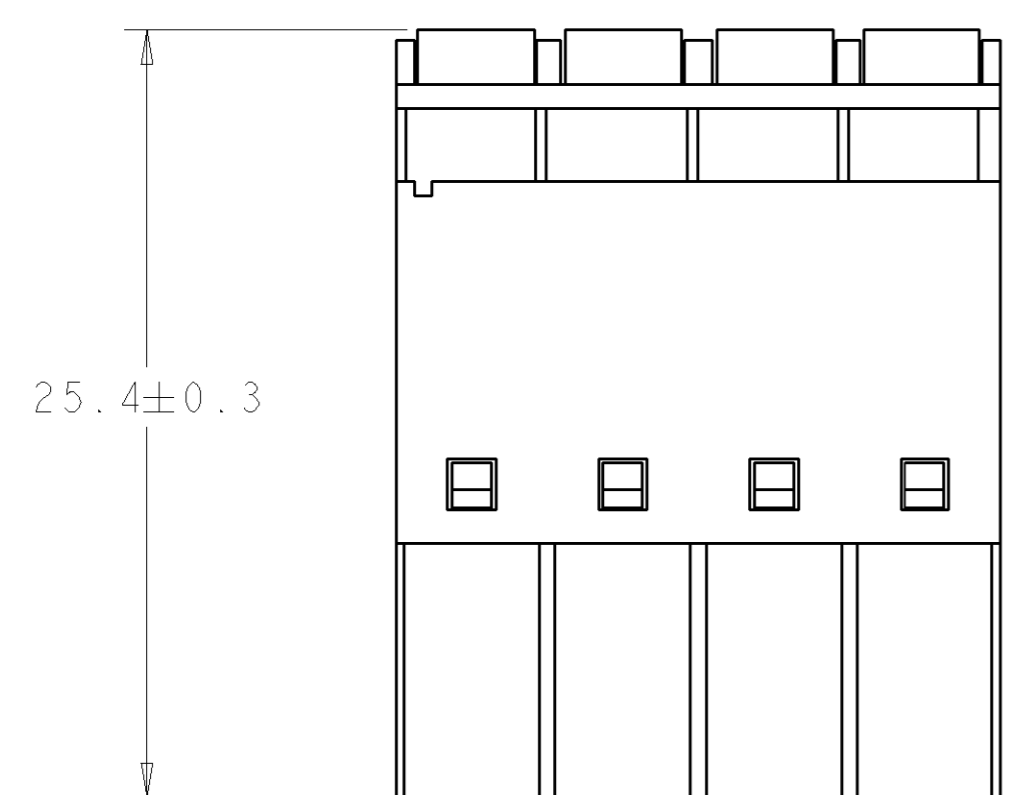


LOC	DIST	REVISIONS					
FT	0	P	LTR	DESCRIPTION	DATE	DWN	APVD
		0		RELEASED	07MAR2003	SW	CR
		A		REVISED EC 0G3B-0137-04	22MAR2004	SW	CR



- ⚠ MATERIALS AND FINISH:
 HOUSING: PA 6-6, UL 94 VO-RATED, COLOR: GREEN.
 CONTACT: PHOSPHOR BRONZE, TIN PLATED.
 CLAMPING SPRING: STEEL
- WIRE SIZE RANGE: 12-24 AWG.
 - CURRENT RATING: 12A
 OPERATING TEMPERATURE: -40°C TO +110°C

WIRE ENTRY



POLARIZATION KEY SLOT

L	POSN	PART NUMBER
90.00	18	1-1546557-8
85.00	17	1-1546557-7
80.00	16	1-1546557-6
75.00	15	1-1546557-5
70.00	14	1-1546557-4
65.00	13	1-1546557-3
60.00	12	1-1546557-2
55.00	11	1-1546557-1
50.00	10	1-1546557-0
45.00	9	1546557-9
40.00	8	1546557-8
35.00	7	1546557-7
30.00	6	1546557-6
25.00	5	1546557-5
20.00	4	1546557-4
15.00	3	1546557-3
10.00	2	1546557-2

THIS DRAWING IS A CONTROLLED DOCUMENT FOR TYCO ELECTRONICS CORPORATION IT IS SUBJECT TO CHANGE AND THE CONTROLLING ENGINEERING ORGANIZATION SHOULD BE CONTACTED FOR THE LATEST REVISION.		DWN 07MAR2003 S. WELDON CHK 07MAR2003 C. RICHARD APVD 07MAR2003 C. RICHARD	Tyco Electronics Harrisburg, PA 17105-3608 BUCHANAN
DIMENSIONS: mm 	TOLERANCES UNLESS OTHERWISE SPECIFIED: 0 PLC ± 1 PLC ±0.2 2 PLC ±0.25 3 PLC ±0.001 4 PLC ±0.0001 ANGLES ± FINISH	PRODUCT SPEC - APPLICATION SPEC - WEIGHT -	NAME TERMINAL BLOCK, CLIP CONNECTOR, FEMALE, 5.0mm PITCH SIZE CAGE CODE DRAWING NO RESTRICTED TO A2 00779 C-1546557 -
MATERIAL ⚠ -		CUSTOMER DRAWING	SCALE 4.1 SHEET 1 OF 1 REV A