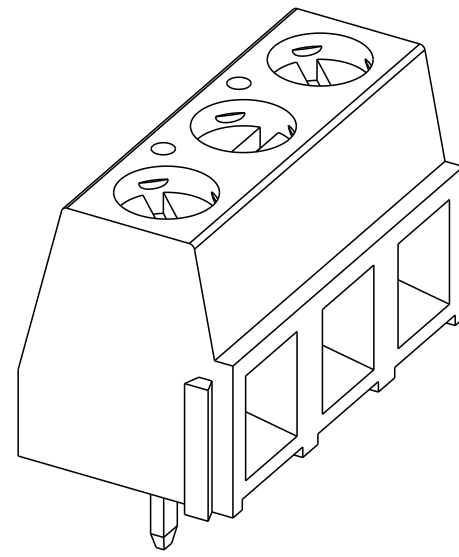
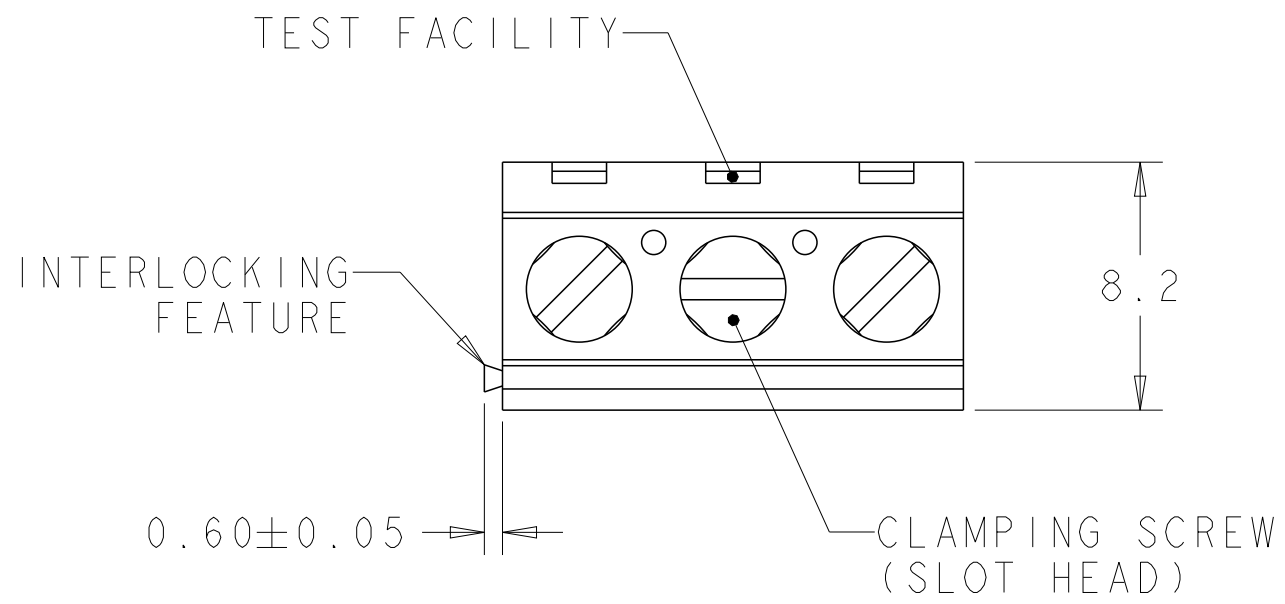
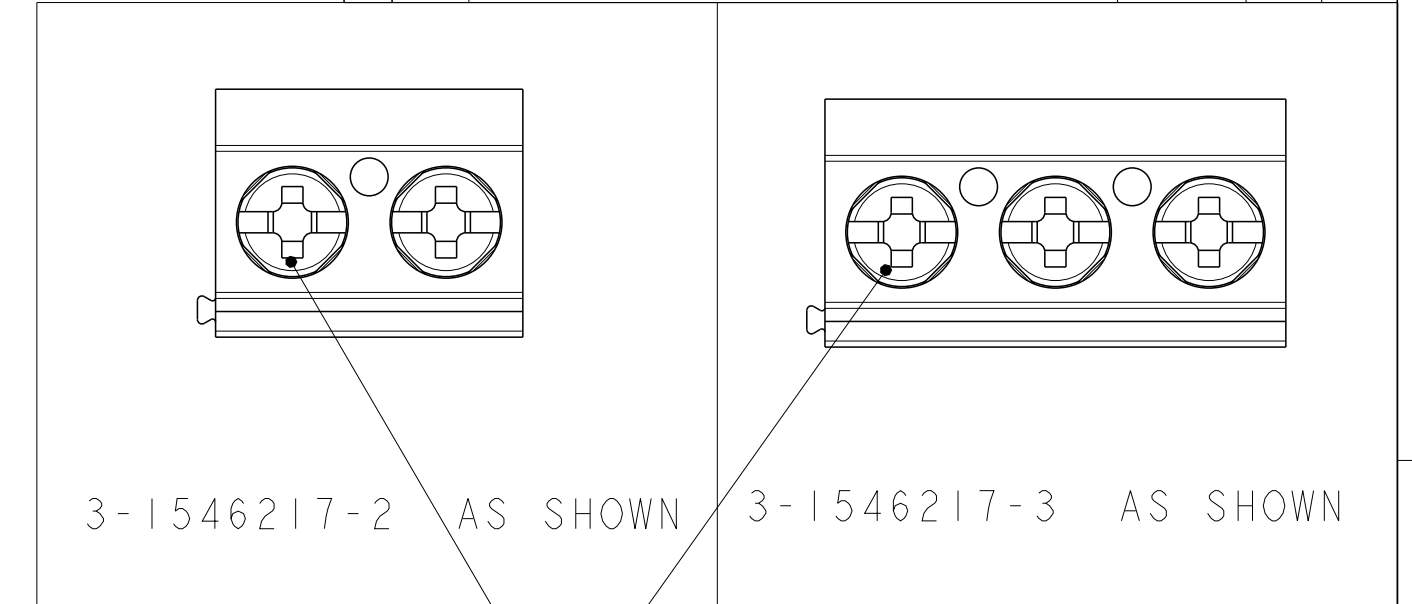


THIS DRAWING IS UNPUBLISHED. RELEASED FOR PUBLICATION 20  
 © COPYRIGHT 20 BY - ALL RIGHTS RESERVED.

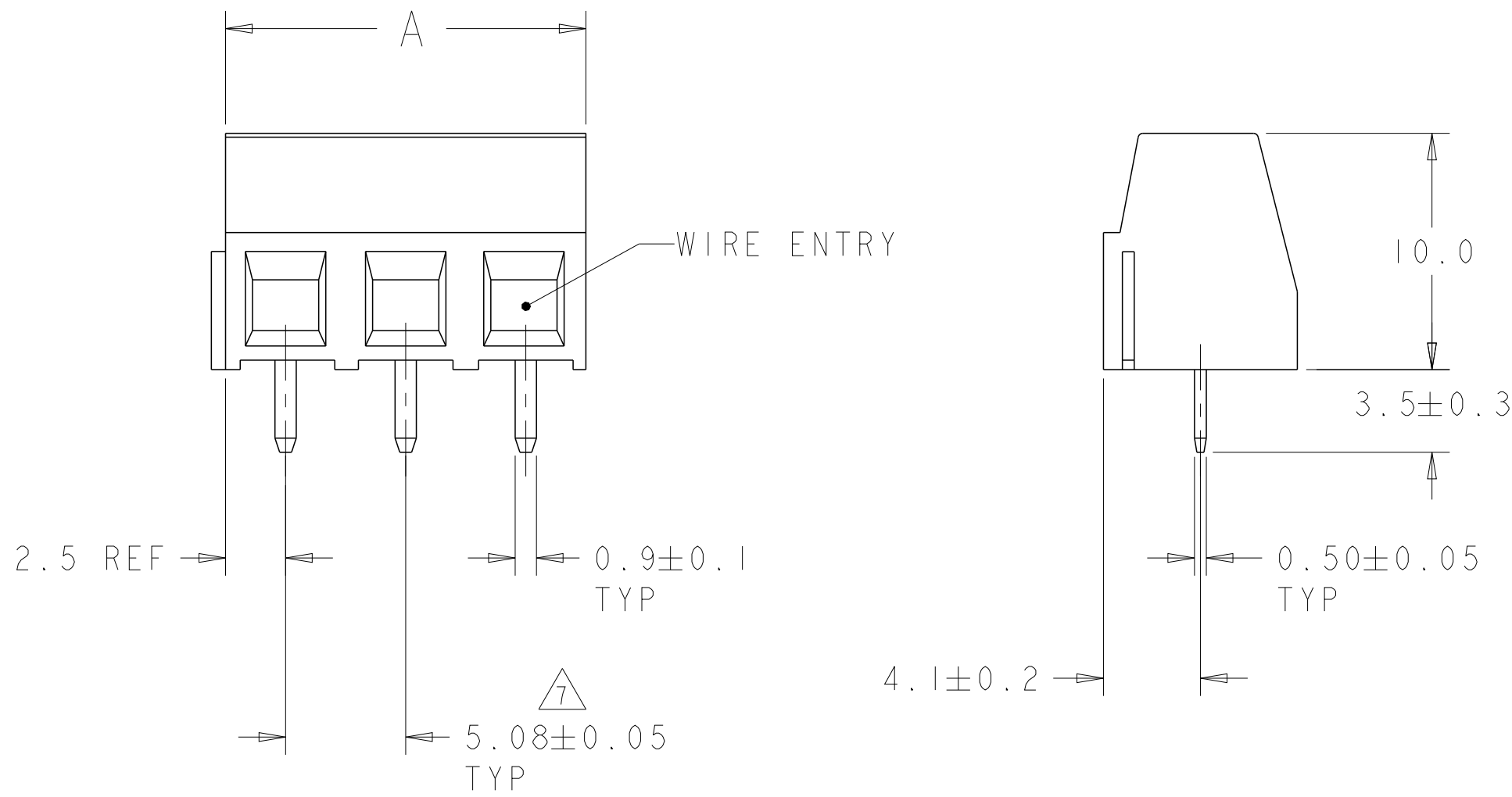
LOC	DIST	REVISIONS			
P	LTR	DESCRIPTION	DATE	DWN	APVD
FT	0	B2	PN CORRECTED IN TABLE	16JUL2018	RK PS



1546217-3 AS SHOWN

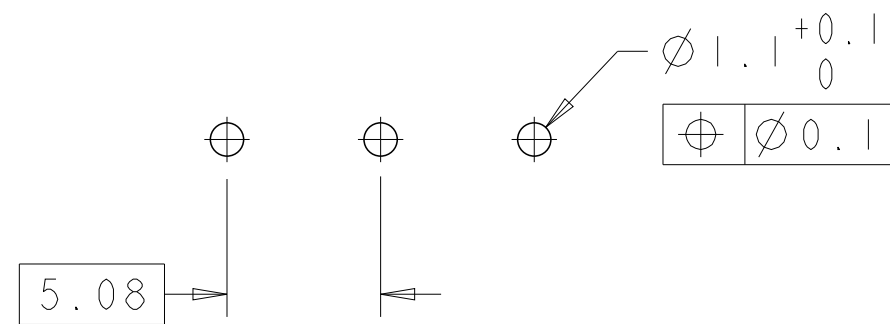


PHIL-SLOT HEAD SCREW



A	NO OF POSN	PART NUMBER
15.24	3	3-1546217-3
10.16	2	3-1546217-2
127.00	25	2-1546217-5
121.92	24	2-1546217-4
116.84	23	2-1546217-3
111.76	22	2-1546217-2
106.68	21	2-1546217-1
101.60	20	2-1546217-0
96.52	19	1-1546217-9
91.44	18	1-1546217-8
86.36	17	1-1546217-7
81.28	16	1-1546217-6
76.20	15	1-1546217-5
71.12	14	1-1546217-4
66.04	13	1-1546217-3
60.96	12	1-1546217-2
55.88	11	1-1546217-1
50.80	10	1-1546217-0
45.72	9	1546217-9
40.64	8	1546217-8
35.56	7	1546217-7
30.48	6	1546217-6
25.40	5	1546217-5
20.32	4	1546217-4
15.24	3	1546217-3
10.16	2	1546217-2

OBSOLETE



RECOMMENDED PC BOARD LAYOUT

THIS DRAWING IS A CONTROLLED DOCUMENT.

DWN S. WELDON 14APR2003  
 CHK C. RICHARD 14APR2003  
 APVD C. RICHARD 14APR2003

STE TE Connectivity

NAME: TERMINAL BLOCK, PCB MOUNT  
 SIDE ENTRY WIRE, STACKING  
 W/INTERLOCK, 5.08mm PITCH

PRODUCT SPEC: 108-20166  
 APPLICATION SPEC: 114-20079

SIZE: A2 CAGE CODE: 00779 DRAWING NO: C-1546217 RESTRICTED TO: B2


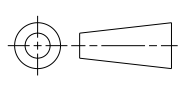

MATERIAL: FINISH: CUSTOMER DRAWING SCALE: 4:1 SHEET 1 OF 2 REV: B2

THIS DRAWING IS UNPUBLISHED.      RELEASED FOR PUBLICATION      20  
 © COPYRIGHT 20      BY -      ALL RIGHTS RESERVED.

LOC	DIST	REVISIONS					
FT	0	P	LTR	DESCRIPTION	DATE	DWN	APVD
		-		SEE SHEET 1	-	-	-

NOTES:

- 1. MATERIALS AND FINISH  
 HOUSING: PA 6-6, UL 94-V0, COLOR GRAY.  
 CLAMP: BRASS, NICKEL PLATED.  
 TERMINAL: BRASS, TIN PLATED.  
 CLAMPING SCREW: M3, BRASS, NICKEL PLATED.
- 2. MECHANICAL  
 WIRE STRIPPING LENGTH : 5.0-6.0 mm  
 MIN. PC BOARD HOLES DIAMETER : 1.1 mm  
 MAX. PC BOARD THICKNESS : 2.4 mm  
 RECOMMENDED TIGHTENING TORQUE FOR SCREW: 0.5 Nm.
- 3. ELECTRICAL  
 WIRE SIZE RANGE : 16-30 AWG.  
 MAX. VOLTAGE : 300 V  
 MAX CURRENT : 13.5 A  
 CONTACT RESISTANCE : <15 m Ohm  
 INSULATION RESISTANCE : > 1000 M Ohm (500V DC)
- 4. OPERATING TEMPERATURE RANGE: -40°C TO +110°C
- 5. END-TO-END STACKABLE W/INTERLOCK WITHOUT LOSS OF CENTERLINE SPACING.
- 6. RECOGNIZED UNDER THE COMPONENT PROGRAM OF UNDERWRITERS LABORATORIES INC., FILE NO E60677.
- 7. NOT CUMULATIVE TOLERANCE.
- 8. PACKED IN TRAY.
- 9. PHIL-SLOT HEAD SCREW: M3, BRASS, NICKEL PLATED.

THIS DRAWING IS A CONTROLLED DOCUMENT.		DWN S. WELDON 14APR2003	 TE Connectivity	
DIMENSIONS: mm		CHK C. RICHARD 14APR2003		
TOLERANCES UNLESS OTHERWISE SPECIFIED: 0 PLC ±- 1 PLC ±0.3 2 PLC ±0.25 3 PLC ±- 4 PLC ±- ANGLES ±2° FINISH		APVD C. RICHARD 14APR2003	NAME TERMINAL BLOCK, PCB MOUNT SIDE ENTRY WIRE, STACKING W/INTERLOCK, 5.08mm PITCH	
		PRODUCT SPEC 108-20166	RESTRICTED TO	
MATERIAL		APPLICATION SPEC 114-20079	SIZE A2	CAGE CODE 00779
		WEIGHT -	DRAWING NO G-1546217	SCALE 4:1
		CUSTOMER DRAWING	SHEET 2	OF 2
			REV B2	