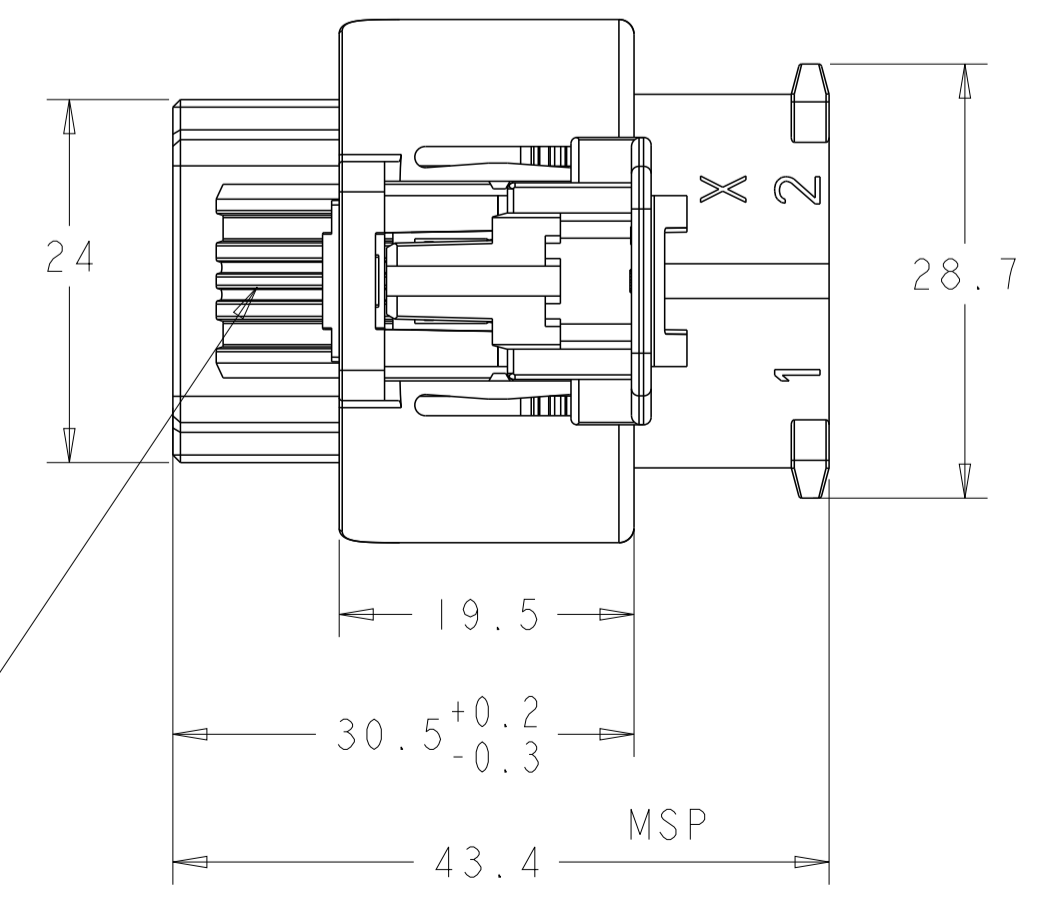
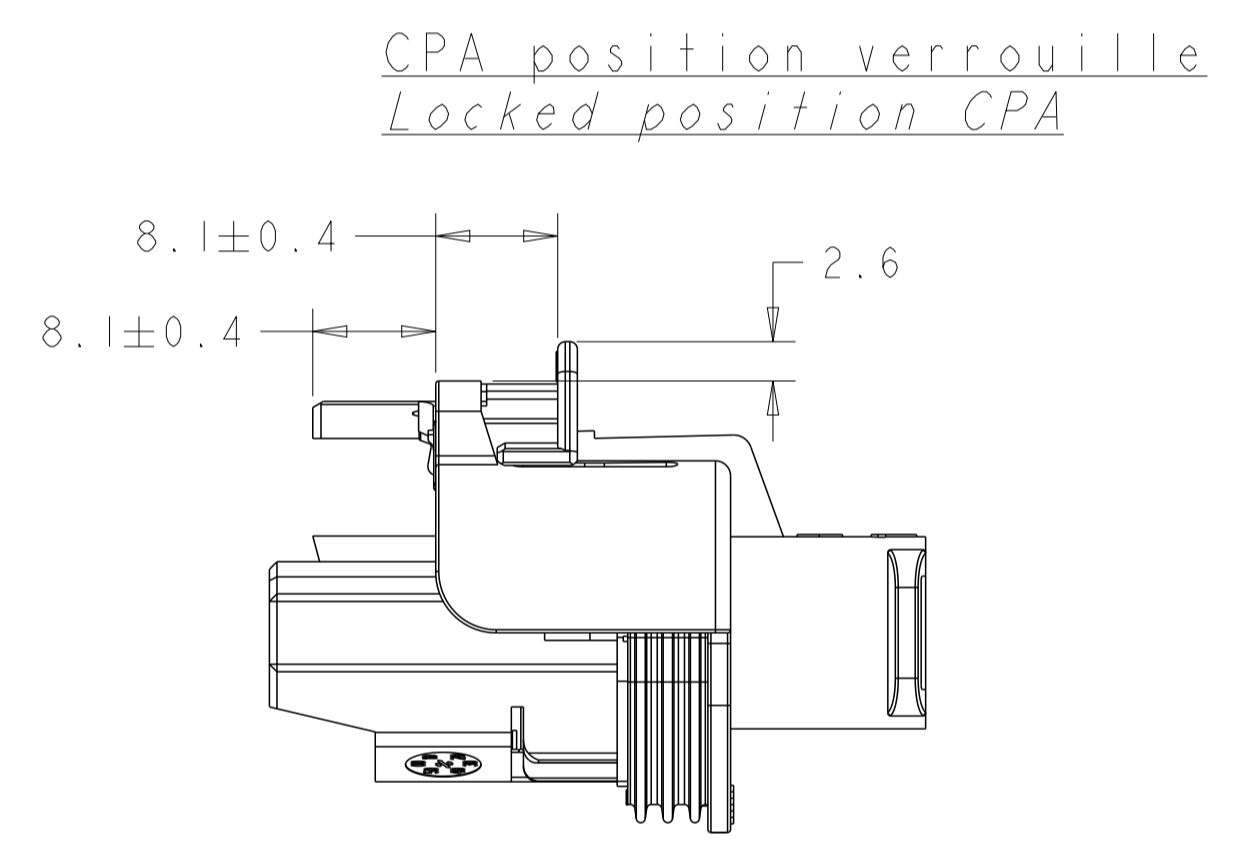
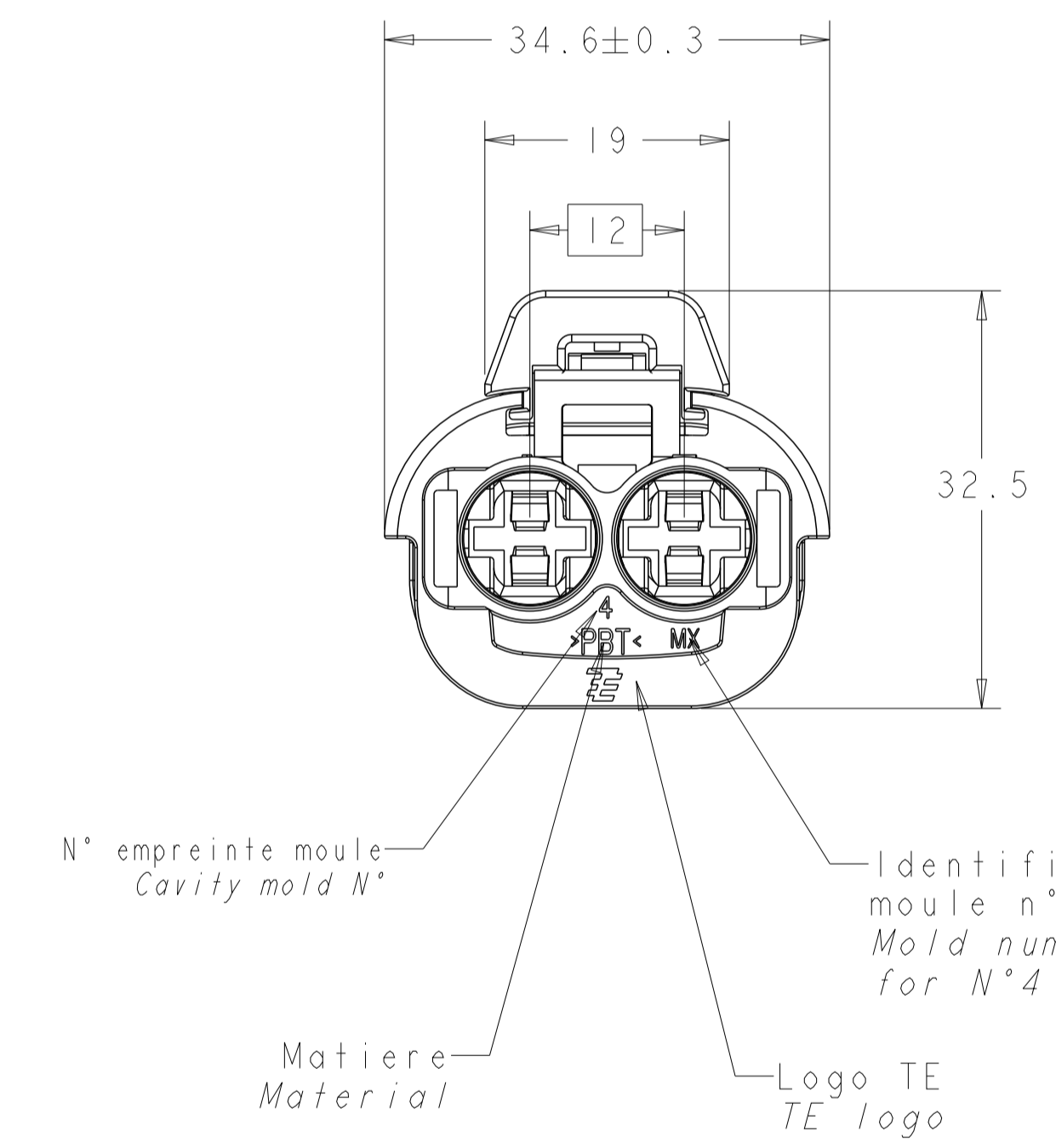
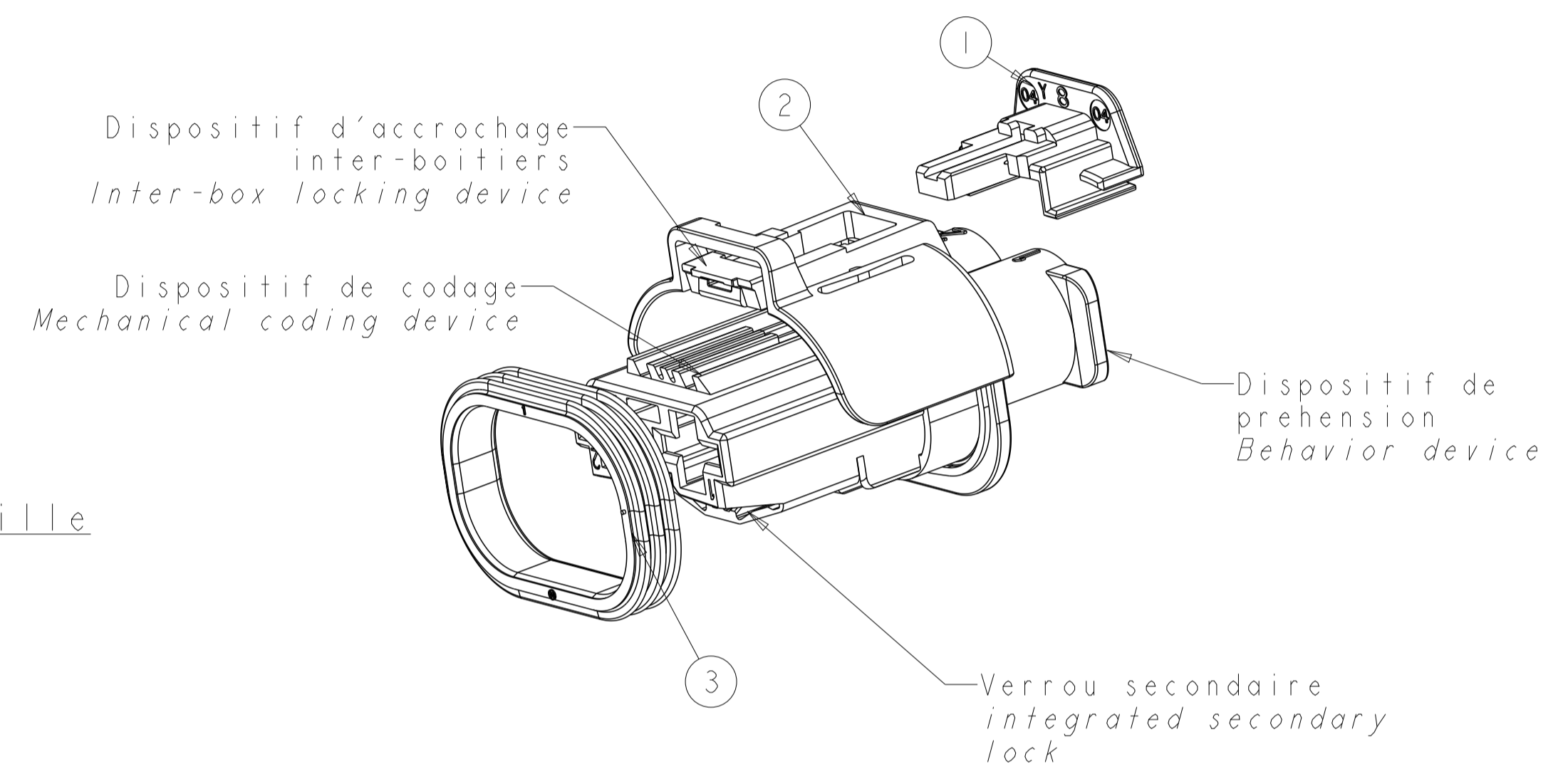
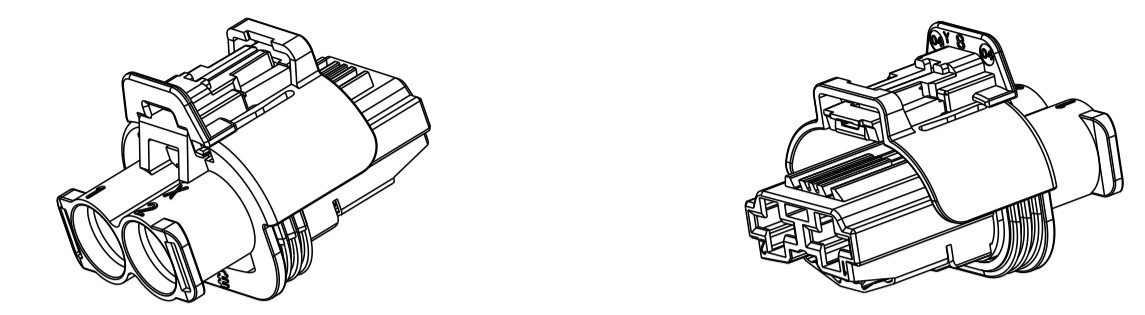
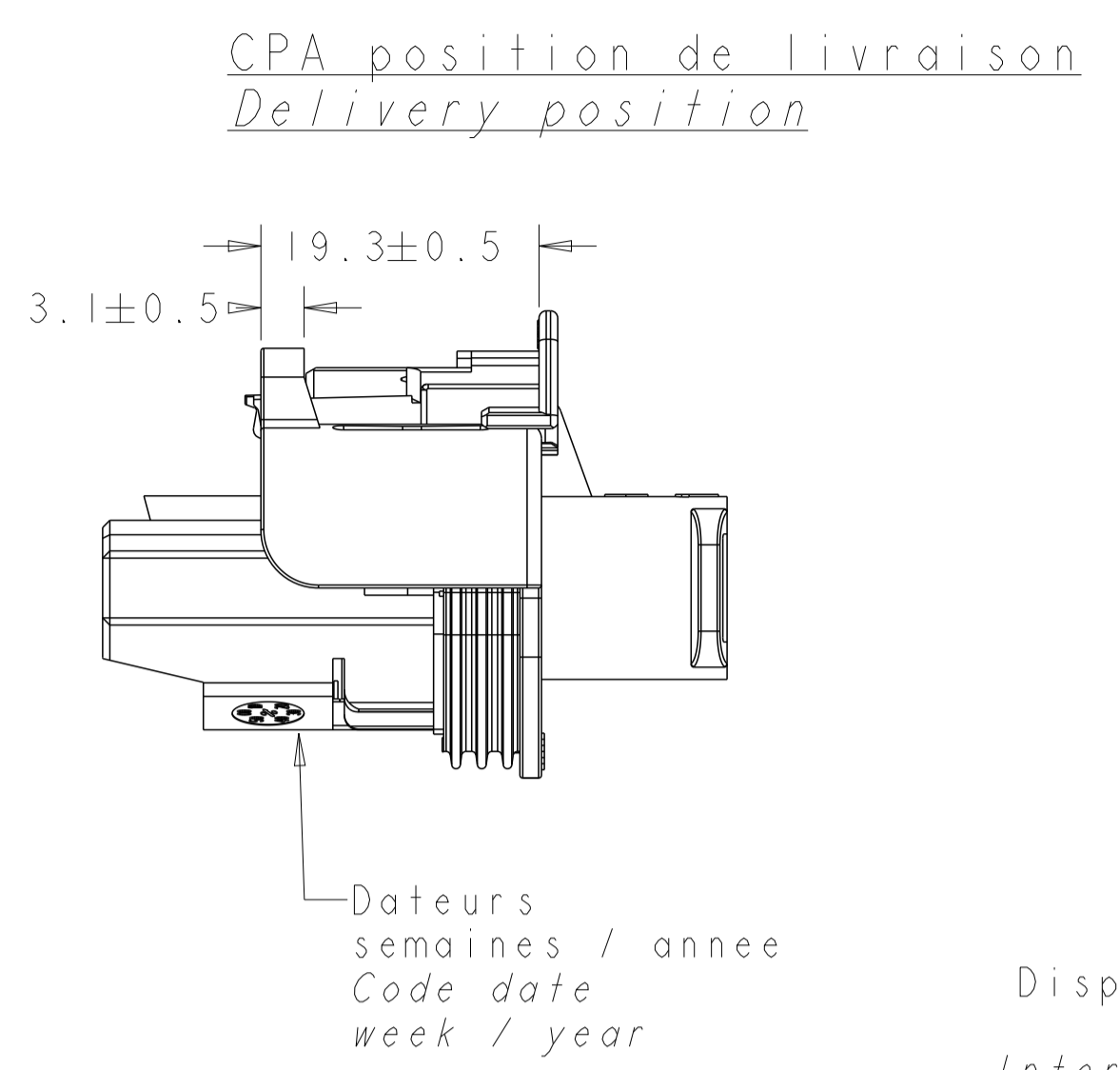
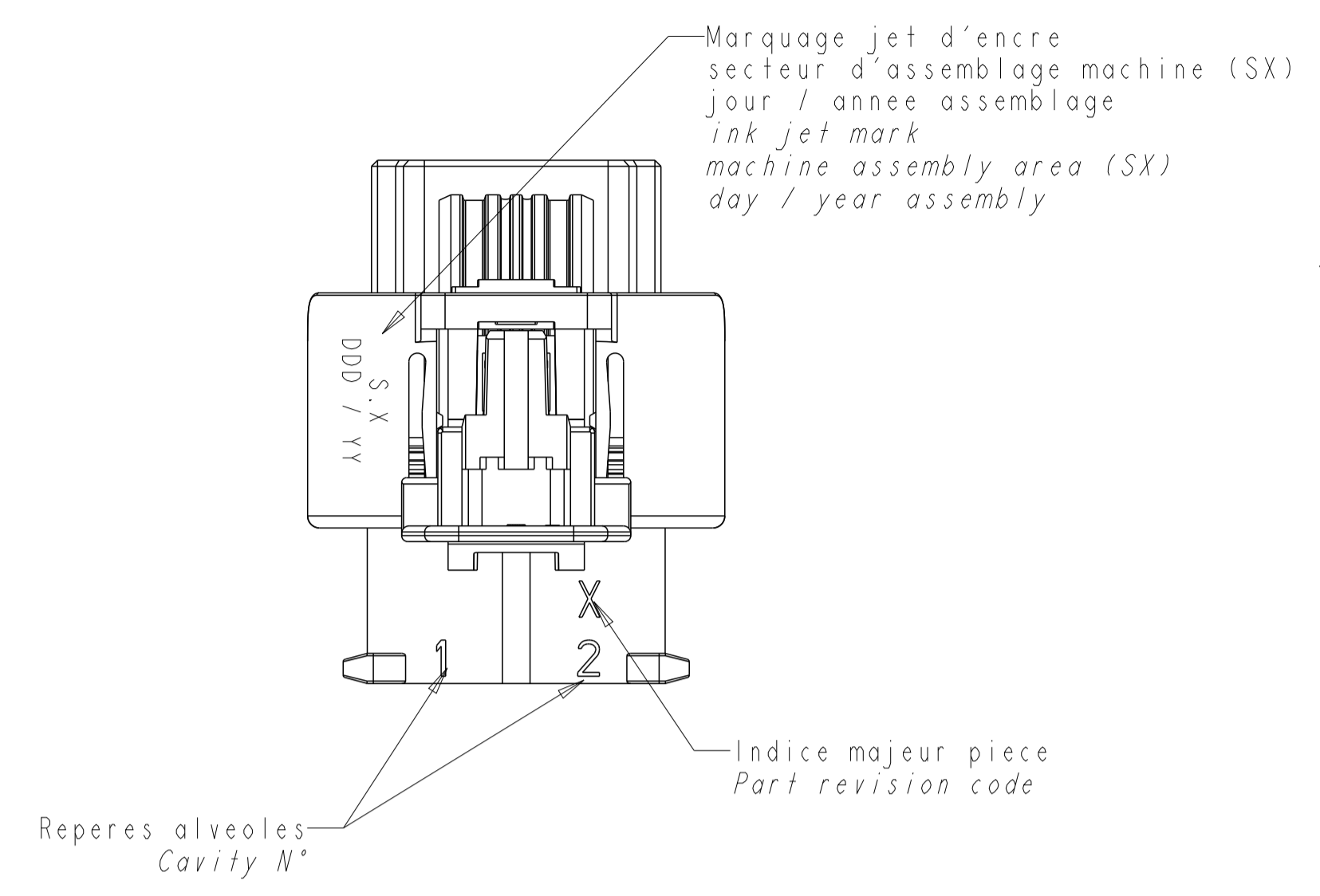


REVISIONS					
P	LTM	DESCRIPTION	DATE	DMN	APVD
C		30.5+0.2-0.3 was 30.5+0-0.3	06DEC2016	PB	XR

ECHELLE 1:1

NOTA					
	Description	Designation	Matiere	Couleur	Nbr
①	CPA lock	Verrou CPA	PBT 0% HB	Jaune	1
②	Housing	Porte clips	PBT 0% HB	Noir/Bleu/Gris	1
③	Seal	Joint	Silicone	Vert	1/0



Codage couleur identique au porte clip
N° : 1544317-1/-2/-3
Coding device same as drawing
N° : 1544317-1/-2/-3

REFERENCES PSA / PRONER COMATEL / TE pour CABLEURS
PSA / PRONER COMATEL / TE PART NUMBERS for WIRING MANUFACTURER

COMPOSANTS / COMPONENTS	REFERENCE / PART NUMBER	MATIERE / MATERIAL	COULEUR / COLOR
Clip / Receptacle 8mm NGI (4) Section 3 à 6 mm ² Wire-section from 3 to 6 mm ²	96 281 252 80 (1) P79101792751 (2) 1544227-1 (3)	Cuivre Micro allié / SM 182 Micro alloy copper / SM 182	/
Clip / Receptacle 8mm NGI (4) Section 7 à 10 mm ² Wire-section from 7 to 10 mm ²	96 281 253 80 (1) P79101792761 (2) 1544228-1 (3)	Cuivre Micro allié / SM 182 Micro alloy copper / SM 182	/
Joint unifilaire à sertir single seal Section 3 à 6 mm ² Wire-section from 3 to 6 mm ²	96 372 158 80 (1) P8010489526 (2) 1544316-1 (3)	Silicone 50 Sh A Autolubrifié Silicon 50 Sh A Self-lubricating	VERT GREEN
Joint unifilaire à sertir single seal Section 7 à 10 mm ² Wire-section from 7 to 10 mm ²	96 372 159 80 (1) P8010589526 (2) 1544316-2 (3)	Silicone 50 Sh A Autolubrifié Silicon 50 Sh A Self-lubricating	ORANGE ORANGE
Bouchon seal plug	96 372 160 80 (1) P8010689526 (2) 1544316-3 (3)	Silicone 50 Sh A Non-lubrifié Silicon 50 Sh A Non-lubricating	BLANC WHITE

AVEC CPA WITH CPA	COMPOSANTS COMPONENTS	COULEUR	TE
Seal part number Reference etanche	① + ② + ③	NOIR	1544678-1
		BLEU	1544678-2
		GRIS	1544678-3
Unseal part number Reference non etanche	① + ②	NOIR	1544679-1
		BLEU	1544679-2
		GRIS	1544679-3

SANS CPA WITHOUT CPA	COMPOSANTS COMPONENTS	COULEUR	TE
Seal part number Reference etanche	② + ③	NOIR	1544317-1
		BLEU	1544317-2
		GRIS	1544317-3
Unseal part number Reference non etanche	②	NOIR	1544567-1
		BLEU	1544567-2
		GRIS	1544567-3

THIS DRAWING IS A CONTROLLED DOCUMENT.

DMN: P. CHARLES 15JUN2004
CHK: - 15JUN2004

APVD: J. DAHER 15JUN2004

PRODUCT SPEC: 108-15333+108-15346
APPLICATION SPEC: 411-15697

WEIGHT: 0.00017

CUSTOMER DRAWING

SCALE: 2:1

SHEET 1 OF 1

REV C

TE Connectivity

PC 2VOIES 8NGI ETANCHE SANS JUPE
2 WAY 8NGI SEALED RECEPTACLE HOUSING WITHOUT SKIRT

SIZE: A1

RESTRICTED TO