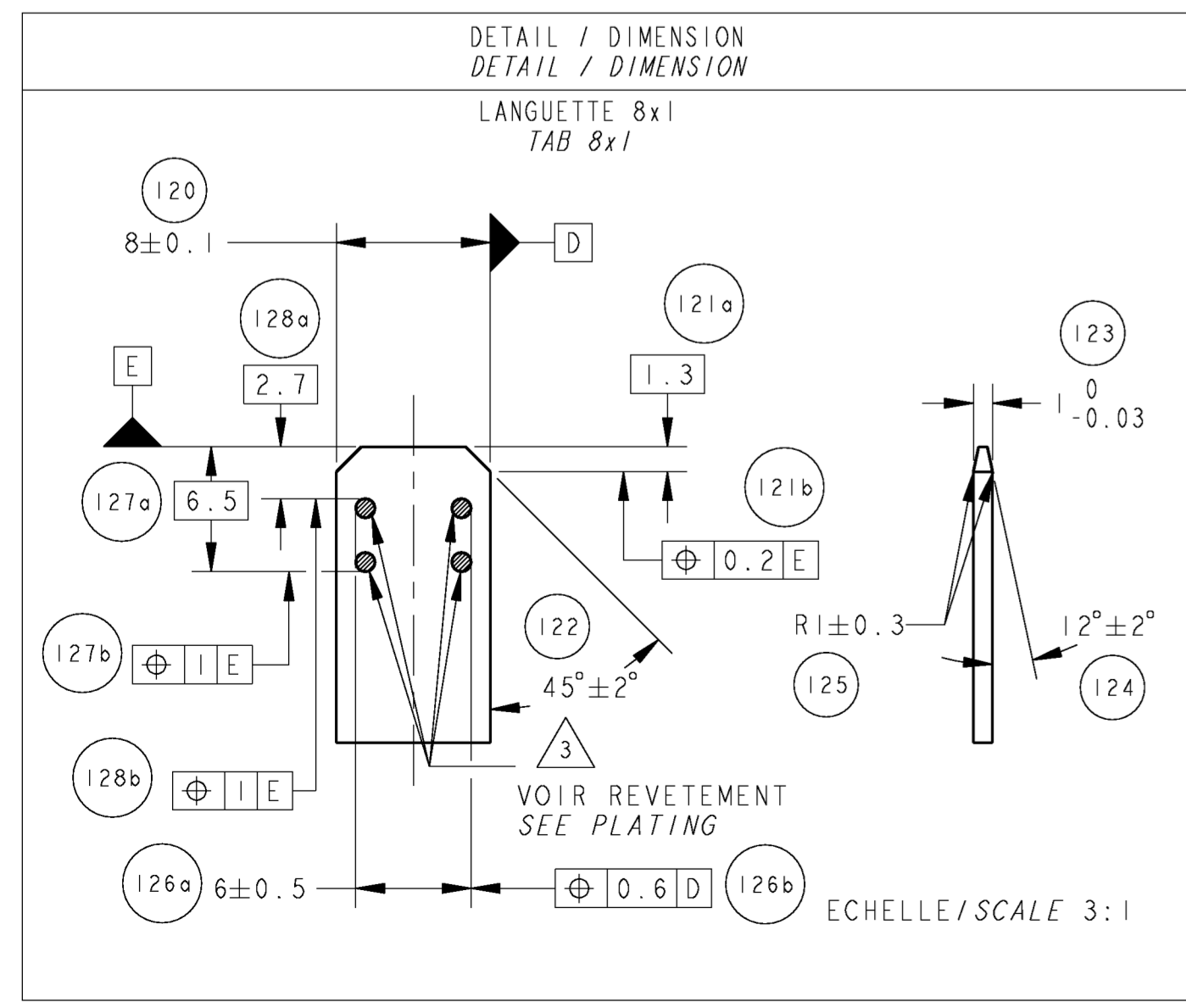
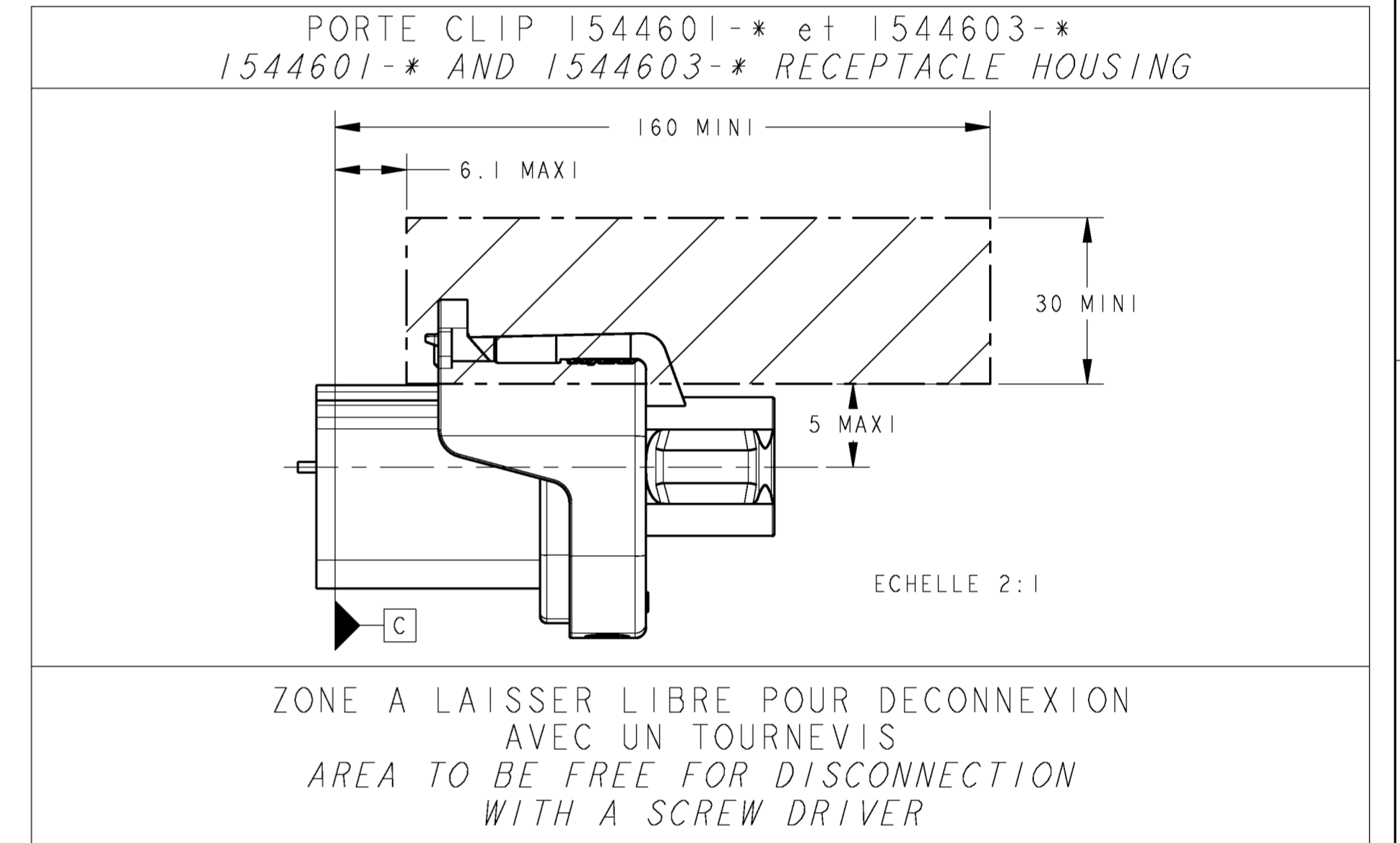
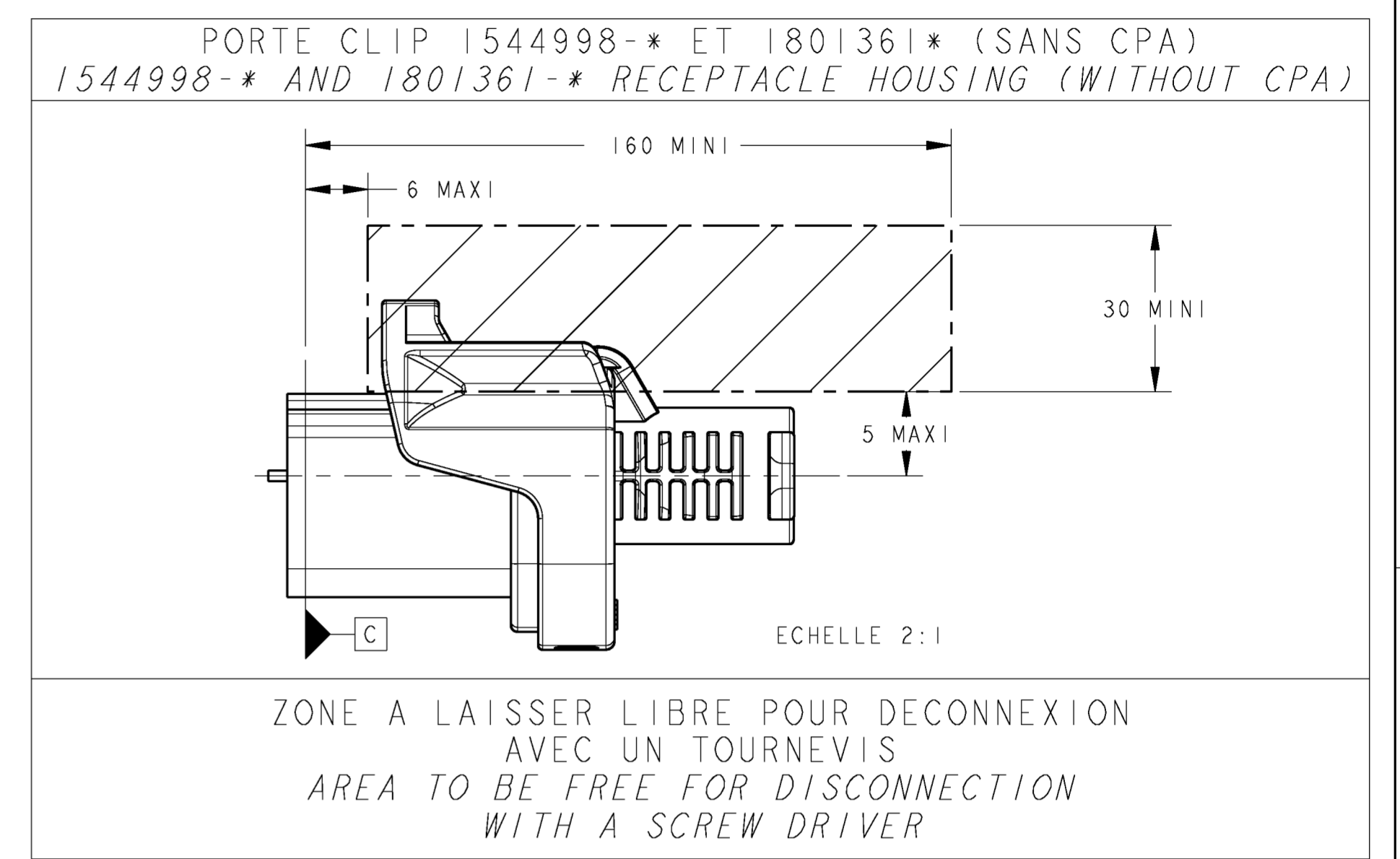
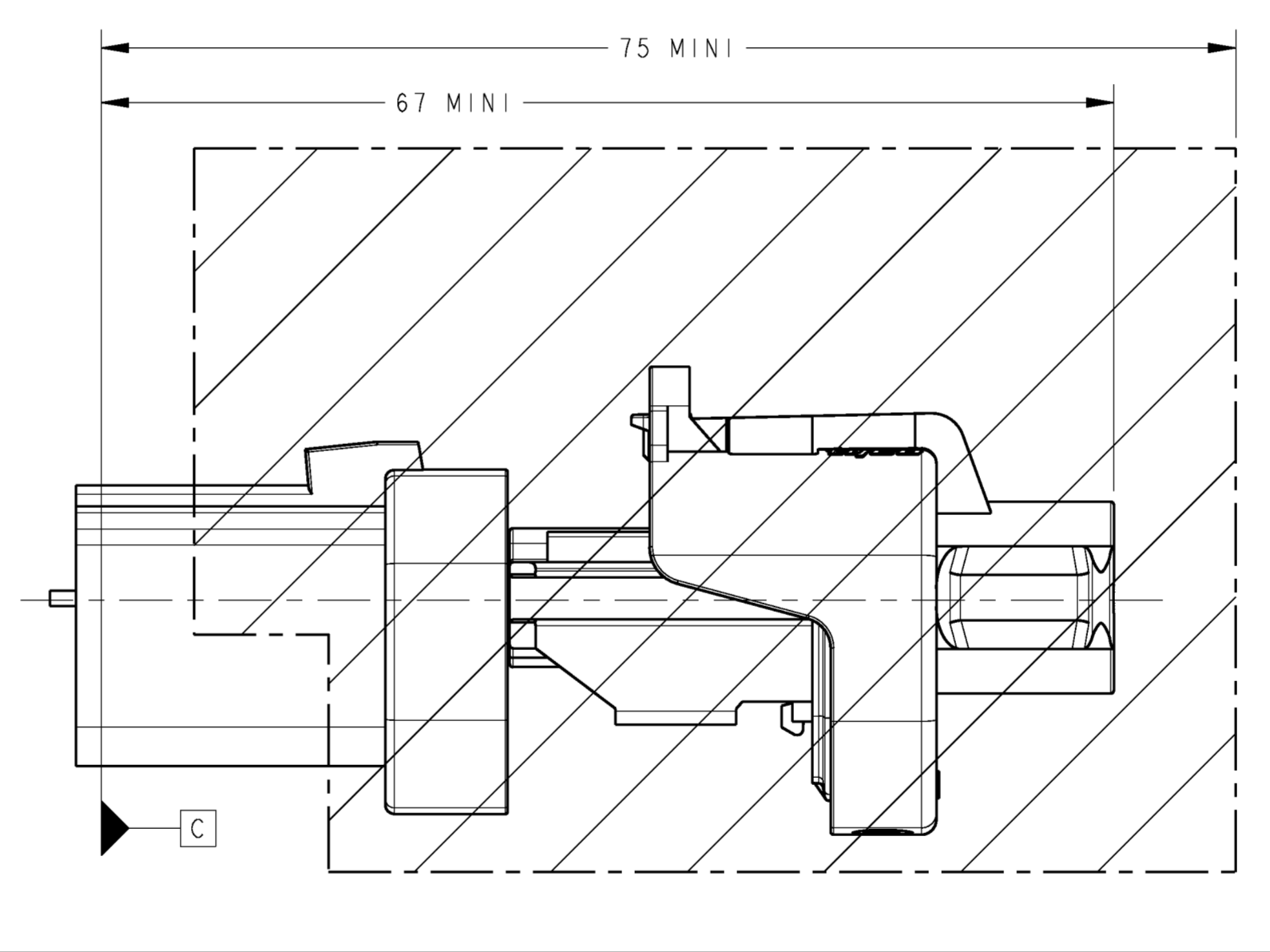
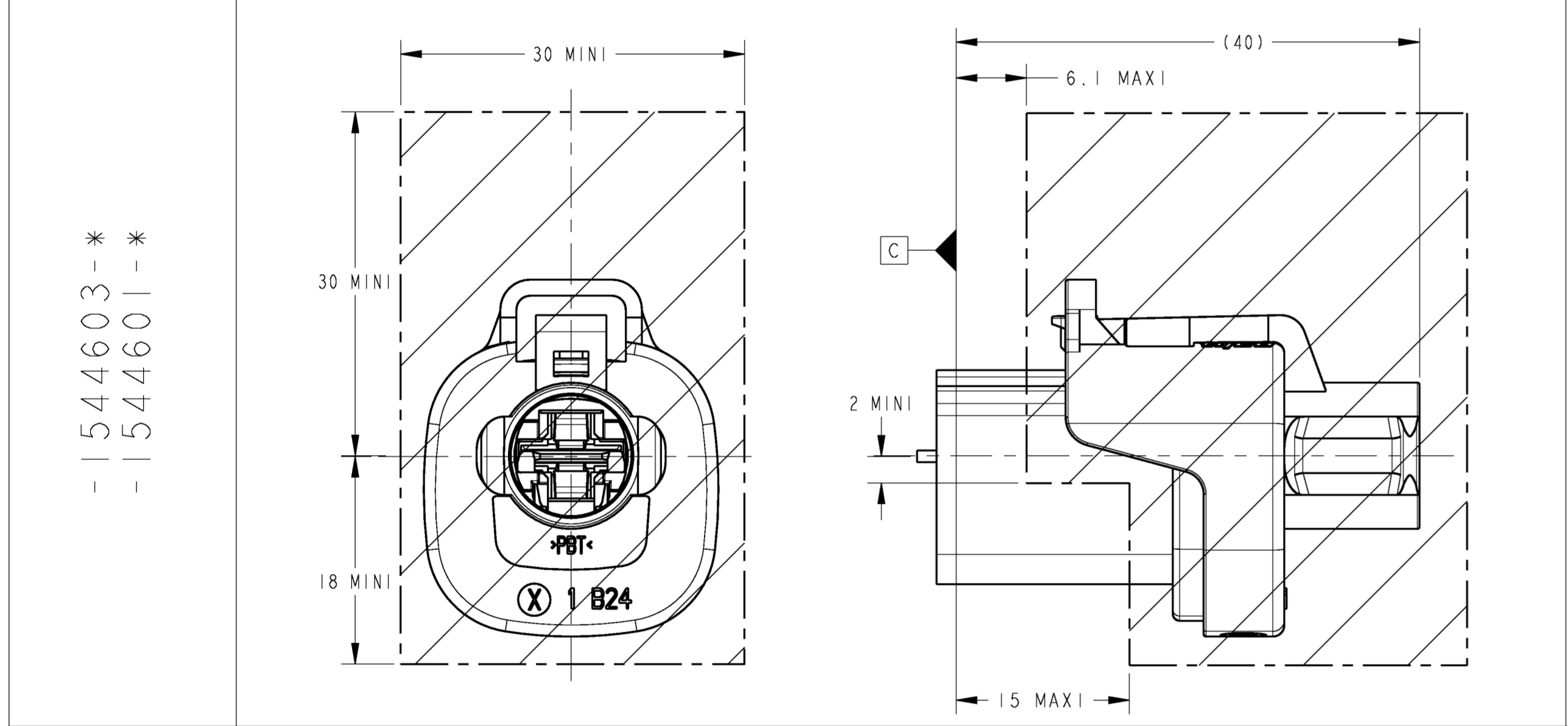
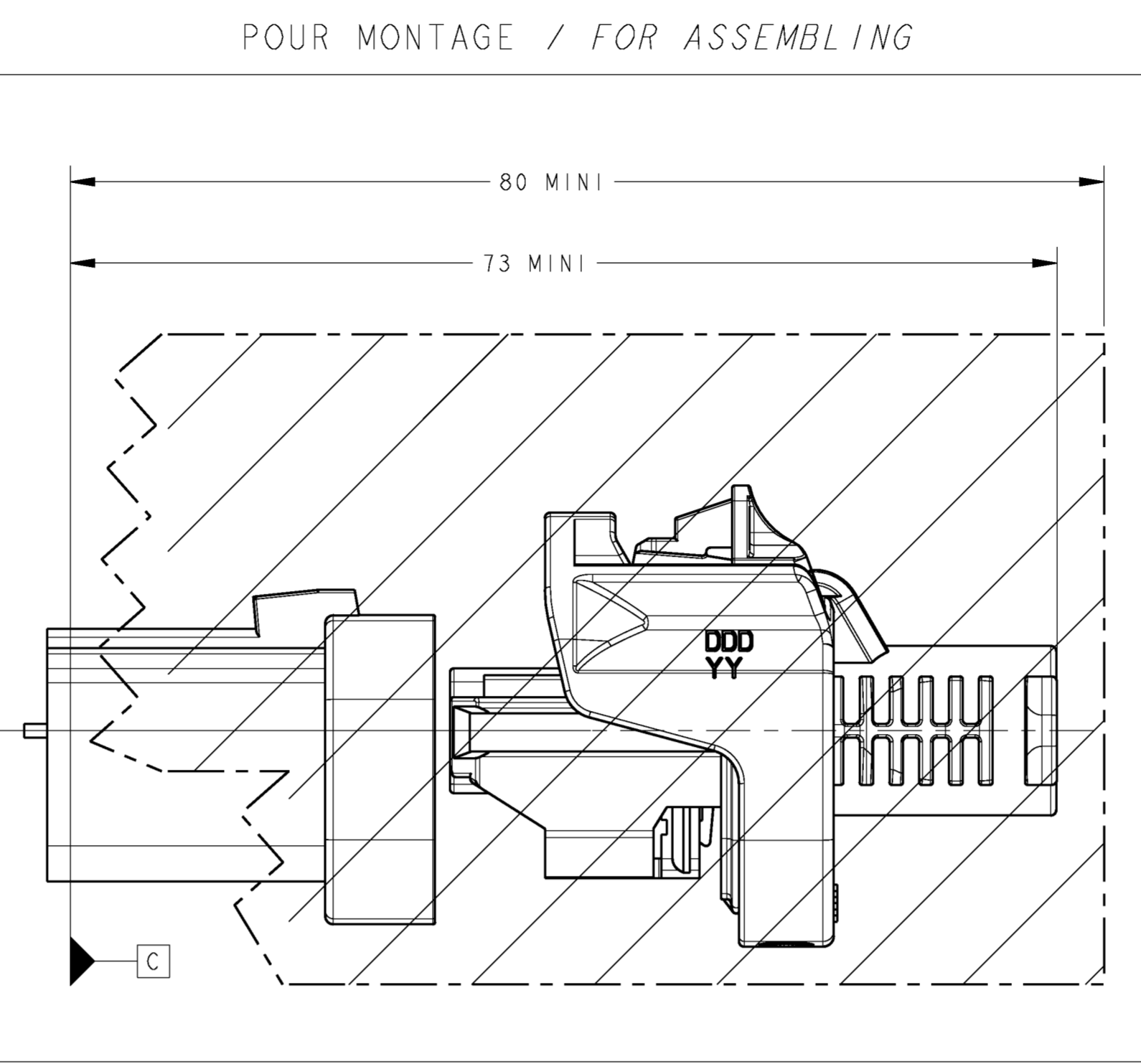
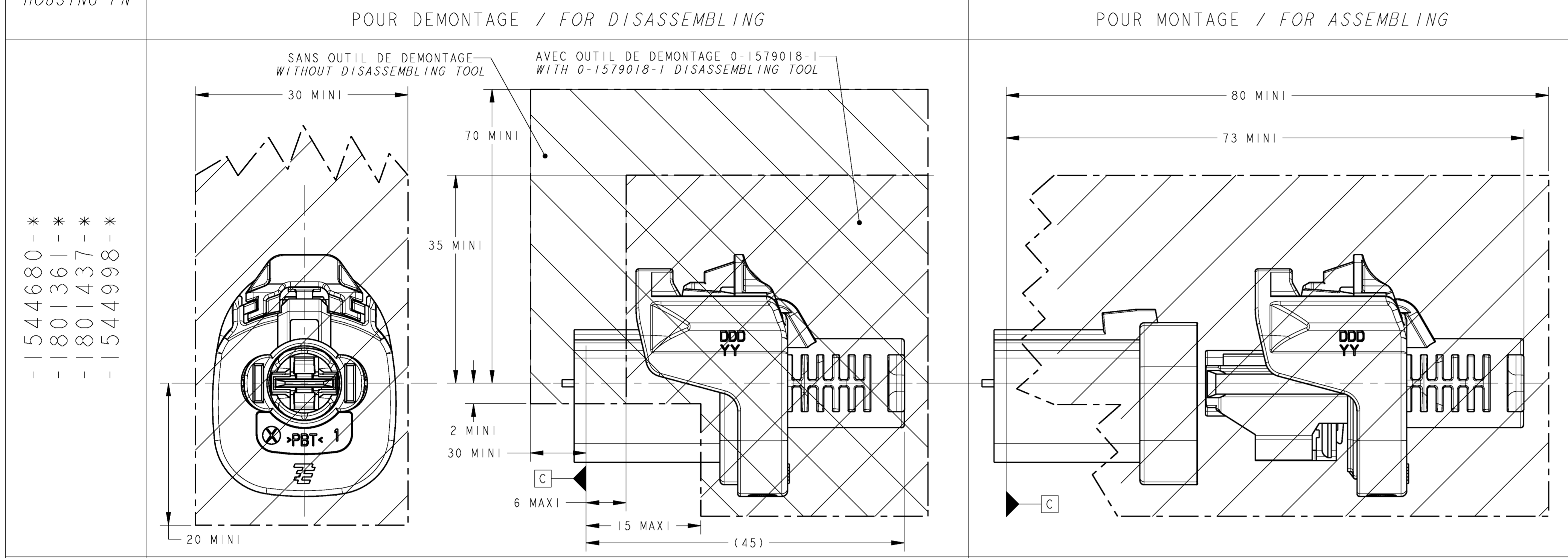


LOC	DIST	REVISIONS			
F	00	REV	DESCRIPTION	DATE	APPV
			SEE SHEET 1		

REF BOITIER HOUSING PN
 ZONE A LAISSER LIBRE AUTOUR DE L'EMBASE AVANT ET APRES ACCOUPLEMENT
 AREA TO BE FREE AROUND THE HEADER BEFORE AND AFTER ASSEMBLY



MATIERE / REVETEMENT MATERIAL / PLATING	TENUE MECANIQUE MECHANICAL RESISTANCE
<p>MATIERE: - CONDUCTIVITE ELECTRIQUE PRECONISEE >60% IACS</p> <p>MATERIAL: - RECOMMENDED ELECTRIC CONDUCTIVITY >60% IACS</p> <p>REJETEMENT: ETAMAGE</p> <p>3: 4 POINTS DE MESURE SUR LES 2 FACES</p> <p>PLATING: TIN PLATED</p> <p>3: 4 MEASUREMENT POINTS ON BOTH FACES</p> <p>Ni 0.5-1µm Sn 0.8-3µm</p>	<p>Fh = 200N (<=>) Ft = 40N (<=>) Fh = 200N (<=>) Ft = 40N (<=>) Fh = 100N (<=>) Ft = 100N (<=>)</p> <p>LES FORCES DOIVENT ETRE APPLIQUEES AU MILIEU DE L'ARETE OU DE LA FACE DESIGNEE THE FORCES MUST BE APPLIED AT THE MIDDLE OF THE EDGE OR THE SURFACE AS SHOWN</p> <p>Fh Ft FL</p> <p>ECHELLE 6:1</p>

COMPOSANTS ASSOCIES ASSOCIATED COMPONENTS		
COMPOSANTS COMPONENTS	REF TE PN TE	MATIERE MATERIAL
PORTE-CLIP 1 VOIE 8mm NGI ETANCHE 1-WAY 8mm NGI SEALED RECEPTACLE HOUSING	1544603-*	PBT HB
PORTE-CLIP 1 VOIE 8mm NGI 1-WAY 8mm NGI RECEPTACLE HOUSING	1544601-*	PBT HB
PORTE-CLIP 1 VOIE 8mm NGI GENE2 ETANCHE AVEC CPA 1-WAY 8mm NGI SEALED RECEPTACLE HOUSING GENE2 WITH CPA	1544680-*	PBT HB
1/PORTE-CLIP 1 VOIE 8mm NGI GENE2 ETANCHE 1-WAY 8mm NGI SEALED RECEPTACLE HOUSING GENE2	1801361-*	PBT HB
PORTE-CLIP 1 VOIE 8mm NGI GENE2 AVEC CPA 1-WAY 8mm NGI RECEPTACLE HOUSING GENE2 WITH CPA	1801347-*	PBT HB
PORTE-CLIP 1 VOIE 8mm NGI GENE2 1-WAY 8mm NGI RECEPTACLE HOUSING GENE2	1544998-*	PBT HB

