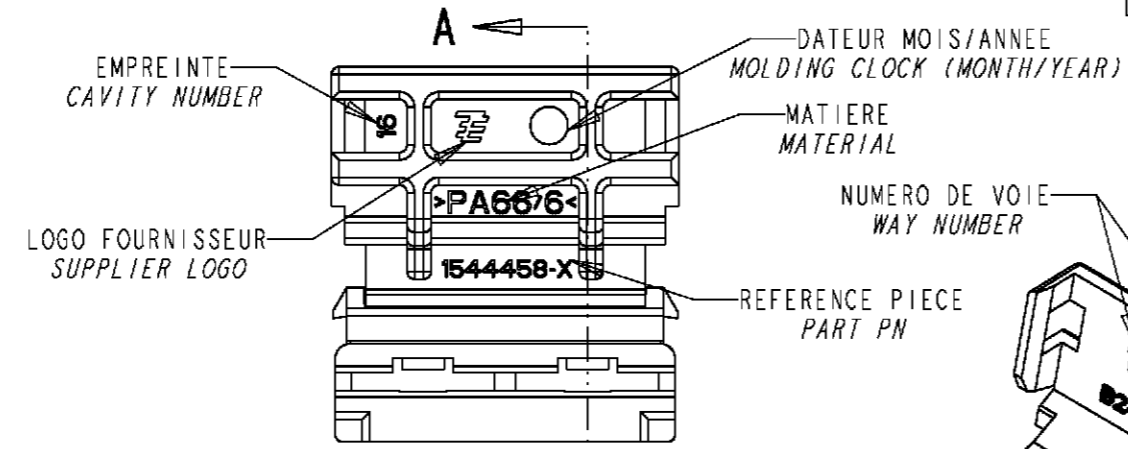


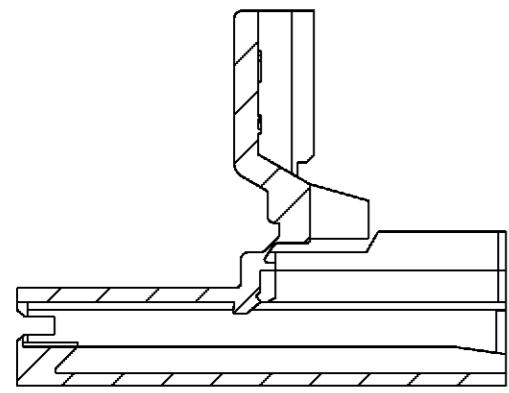
THIS DRAWING IS UNPUBLISHED. / DIFFUSION RESTREINTE AMP / RELEASED FOR PUBLICATION / LIBRE A LA DIFFUSION / 2007 / 2007

© COPYRIGHT 2007 BY TYCO ELECTRONICS CORPORATION. ALL RIGHTS RESERVED. / TOUS DROITS RESERVES

LOC	DIST	REVISIONS			
P	LTR REV	DESCRIPTION MODIFICATIONS	DATE	DWN DESS.	APVD APP.
F	00				
	C	MOLD DUPLICATION	10JAN2007	LCi	JDr
	D	CHANGE LOGO TE	29SEP2010	PFs	JDr

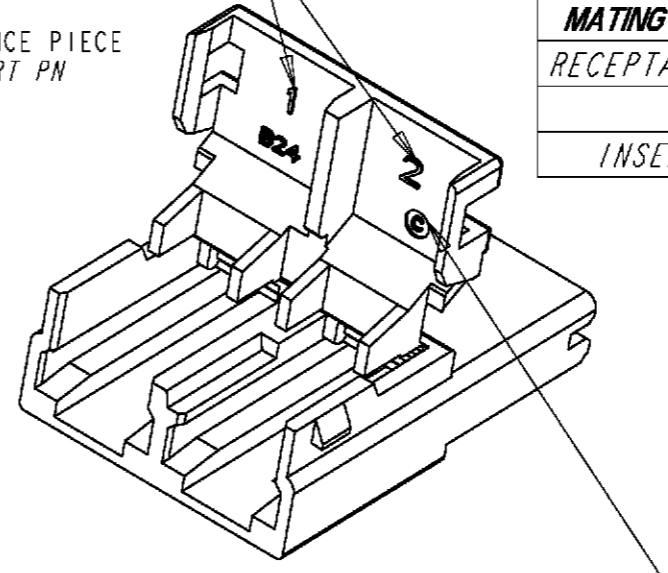
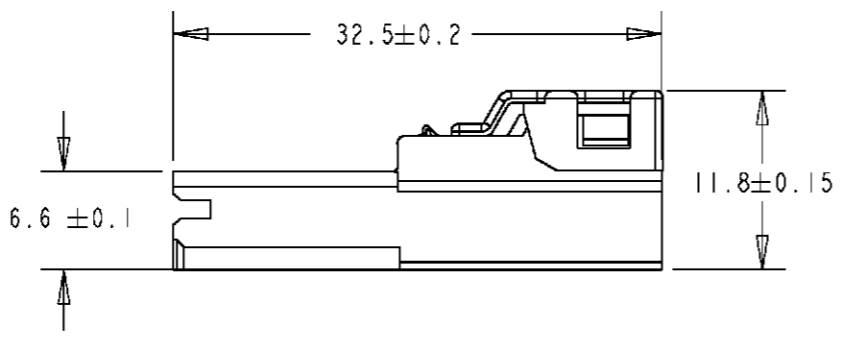
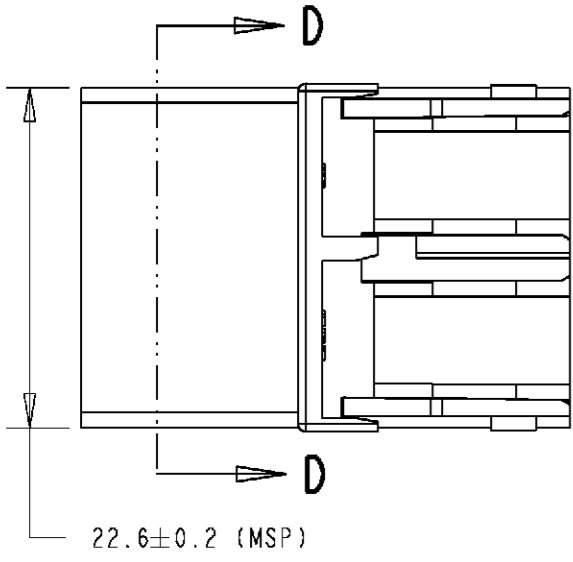


MATING FORCES SPECIFICATIONS TERMINAL HOUSING/TAB HOUSING	
RECEPTACLE TERMINAL CuZn15	RECEPTACLE TERMINAL CuNiSi
1544141	1544128
INSERTION FORCE < 60N	INSERTION FORCE < 70N



SECTION A-A

SECTION D-D



RECEPTACLE TERMINAL 8MM PN		
TE	PSA	RENAULT
1544455-1	96 107 592 80	-
1544141-1	96 107 593 80	7701 997 034
1544129-1	-	7703 497 311
1544142-1	-	7701 997 035
1544128-1	-	7703 497 312

CE PLAN EST UN EXTRAIT DU PLAN DE DEFINITION, ON FERA REFERENCE AU PLAN DE DEFINITION POUR TOUT LITIGE / THIS DRAWING IS EXTRACT FROM PRODUCT DRAWING, IN CASE PROBLEM, DRAWING REFERENCE IS PRODUCT DRAWING

TE PN	PSA PN	RENAULT PN	COLOR	CODING
1544458-1	96 107 597 80	7703 297 716	NOIR BLACK	
1544458-2	96 107 598 80	7703 297 715	GRIS GREY	
1544458-3	96 107 599 80		MARRON BROWN	
1544458-4	96 107 600 80		BLANC WHITE	
1544458-5	96 107 601 80		BLEU BLUE	

NOTES :

- FI CLIP SANS VS < 30 N / TERMINAL INSERTION FORCE WITHOUT SECONDARY LOCK < 30N
- FE CLIP SANS VS > 80 N / TERMINAL EXTRACTION FORCE WITHOUT SECONDARY LOCK > 80N
- FE CLIP AVEC VS > 100 N / TERMINAL EXTRACTION FORCE WITH SECONDARY LOCK > 100N

<small>THIS DRAWING IS A CONTROLLED DOCUMENT FOR TYCO ELECTRONICS CORPORATION IT IS SUBJECT TO CHANGE AND THE CONTROLLING ENGINEERING ORGANIZATION SHOULD BE CONTACTED FOR THE LATEST REVISION.</small> <small>CE PLAN EST UN DOCUMENT CONTROLE PAR AMP INCORPORATED. IL EST SUSCEPTIBLE D'ETRE REVISE. CONTACTER LE SERVICE TECHNIQUE D'AMP DE FRANCE POUR OBTENIR LA DERNIERE REVISION.</small>		DWN/DESSINE 10JAN2007 L. CORONELLI CHK/VERIFIE 10JAN2007 P. FLORES APVD/APPROUVE 10JAN2007 J. DAHER		Tyco Electronics France SAS 517, Avenue de la Boisse, 73 Chambery	
DIMENSIONS: mm 		TOLERANCES UNLESS OTHERWISE SPECIFIED: TOLERANCES NON SPECIFIEES (SUJ. NB DE DECIMALES): 1 P/C/DEC: ± 2 P/C/DEC: ± 3 P/C/DEC: ± P/L/DEC: ± ANGLES ±		NAME TITRE: PORTE CLIP 2 VOIES 8mm A VS 2 W 8mm POSITIVE LOCK RECEPTACLE HOUSING WITH SECONDARY LOCK	
MATERIAL MATIERE: PA 66/6 FINISH FINITION: -		WEIGHT MASSE APPROX.: 3,3 g CUSTOMER DRAWING / PLAN CLIENT: /		SIZE FORMAT: A3 CAGE CODE: 00779 DRAWING NO No PLAN: 1544458 RESTRICTED TO RESERVE A: -	
		UNIQUEMENT POUR REFERENCE: /		SCALE ECHELLE: / SHEET FEUILLE: / OF DE: / REV: D	