

4

3

2

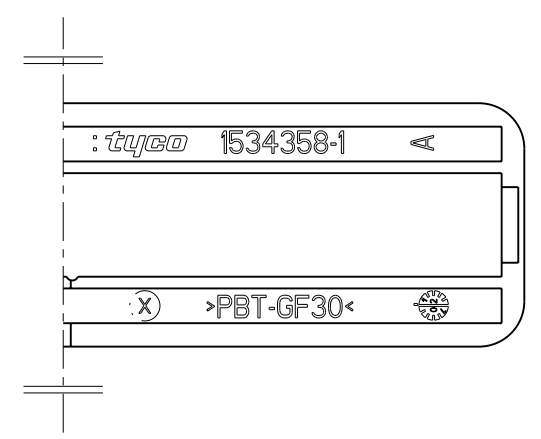
1

THIS DRAWING IS UNPUBLISHED. RELEASED FOR PUBLICATION 2005

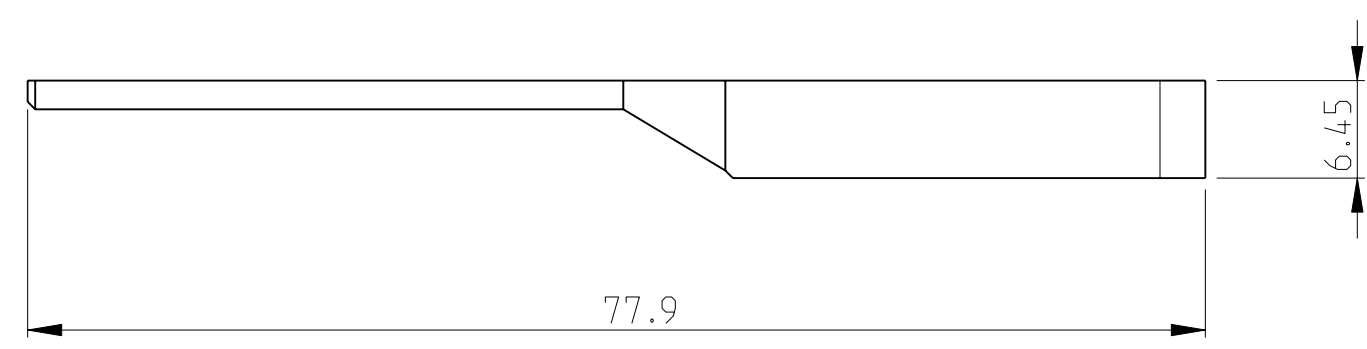
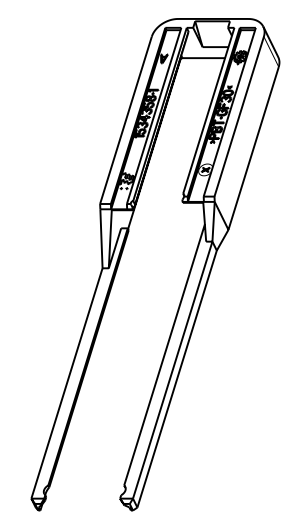
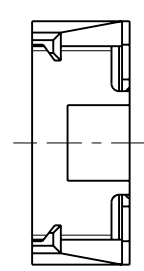
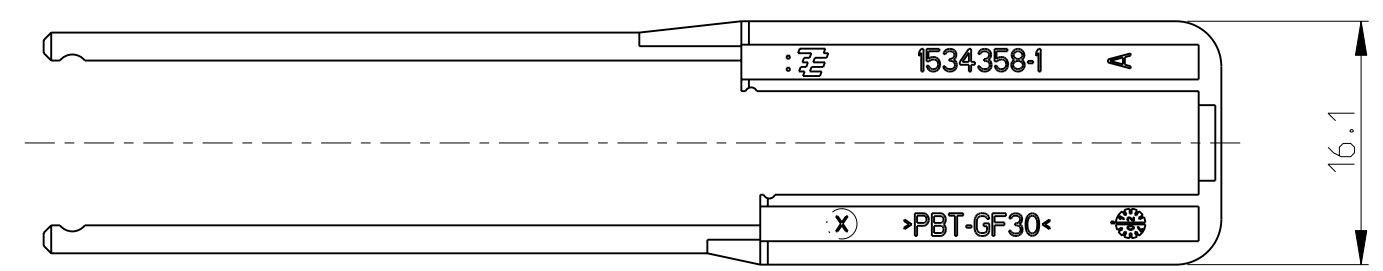
© COPYRIGHT 2005 BY TYCO ELECTRONICS CORPORATION. ALL RIGHTS RESERVED.

LOC	DIST	REVISIONS					
		P	LTR	DESCRIPTION	DATE	DWN	APVD
A1	-		A	NEW DRAWING	03AUG2005	GP	R.F.
			A2	ECR-07-030046	12DEC2007	M.S.	R.F.

LETTERING FOR CAVITY NO. 1, 2, 3, 4  
Beschriftung fuer Kammer 1, 2, 3, 4



(A2) LETTERING FOR CAVITY NO. 21, 22, 23, 24  
Beschriftung fuer Kammer 21, 22, 23, 24



- NOTES:  
Bemerkungen:
- DELIVERED CONDITION: LOOSE PIECES  
Anlieferungszustand: Teile loose beigestellt
  - USED ON: TYCO ELECTRONICS-PN. 0-1452915-2  
Verwendet mit: Tyco Electronics-Nr. 0-1452915-2

PART NO	REV	DESCRIPTION	MATERIAL	COLOUR	ITEM NO
0-1534358-1	A	RETAINER FOR REC.HSG 30POS.	PBT-GF30	VIOLETT	1
REVISION OF EACH ASSY NO (WHEN BLANK, USE DWG REVISION)					
PARTS LIST					

THIS DRAWING IS A CONTROLLED DOCUMENT FOR TYCO ELECTRONICS CORPORATION IT IS SUBJECT TO CHANGE AND THE CONTROLLING ENGINEERING ORGANIZATION SHOULD BE CONTACTED FOR THE LATEST REVISION.		DWN G.PUCKEL 03AUG2005	Tyco Electronics tyco Electronics AMP GmbH D - 64625 Bensheim		
DIMENSIONS: mm		CHK R.FORELL 03AUG2005	NAME RETAINER Verriegelung		
TOLERANCES UNLESS OTHERWISE SPECIFIED: 0 PLC ± ACC TO. 1 PLC ± DIN 16901-140 2 PLC ± CENTRIC TO 3 PLC ± NOMINAL DIM 4 PLC ± ANGLES ±1°		APVD ST.GLASER 04AUG2005	RESTRICTED TO		
MATERIAL SEE TABLE		PRODUCT SPEC -	SIZE A3	CAGE CODE 00779	DRAWING NO 1534358
FINISH -		APPLICATION SPEC -	WEIGHT 1.75 g	SCALE 2:1	SHEET 1 OF 1
CUSTOMER DRAWING			REV A2		