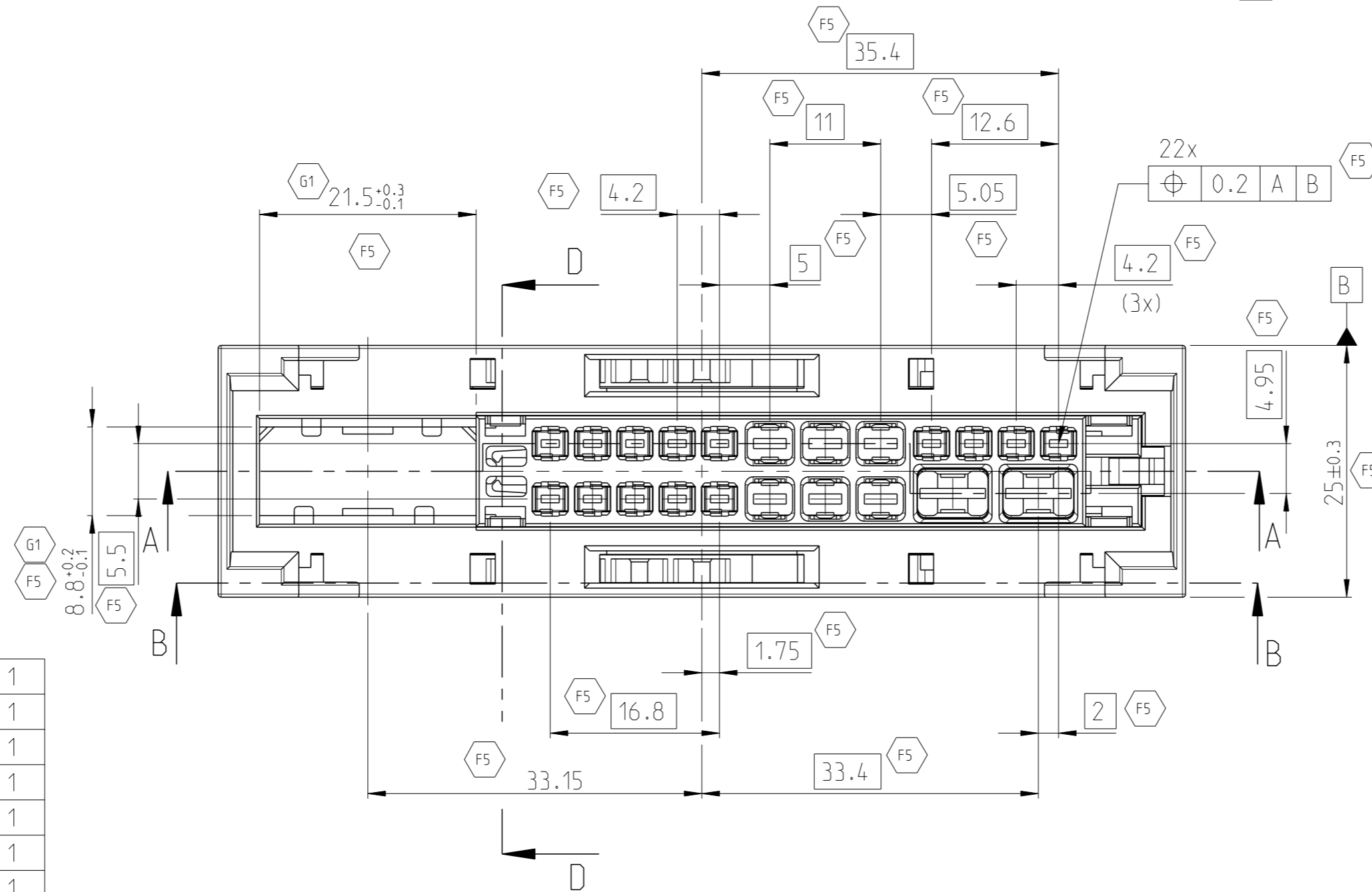
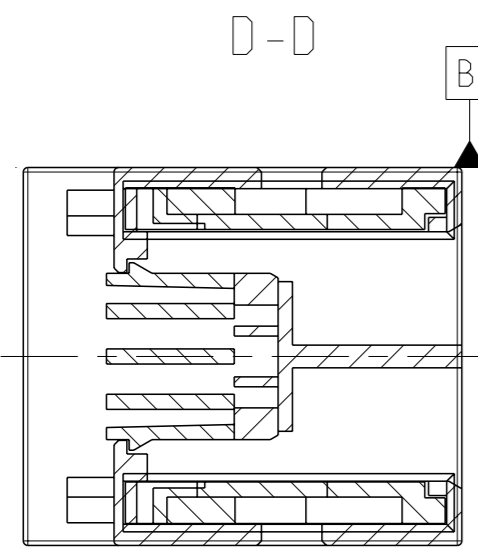
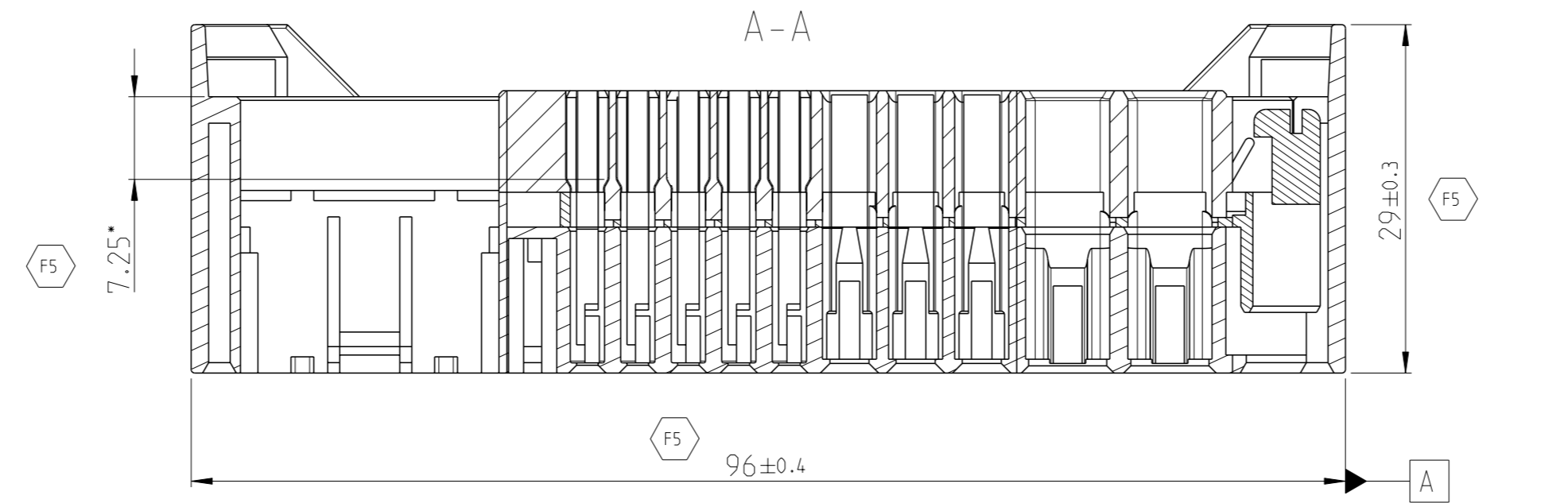
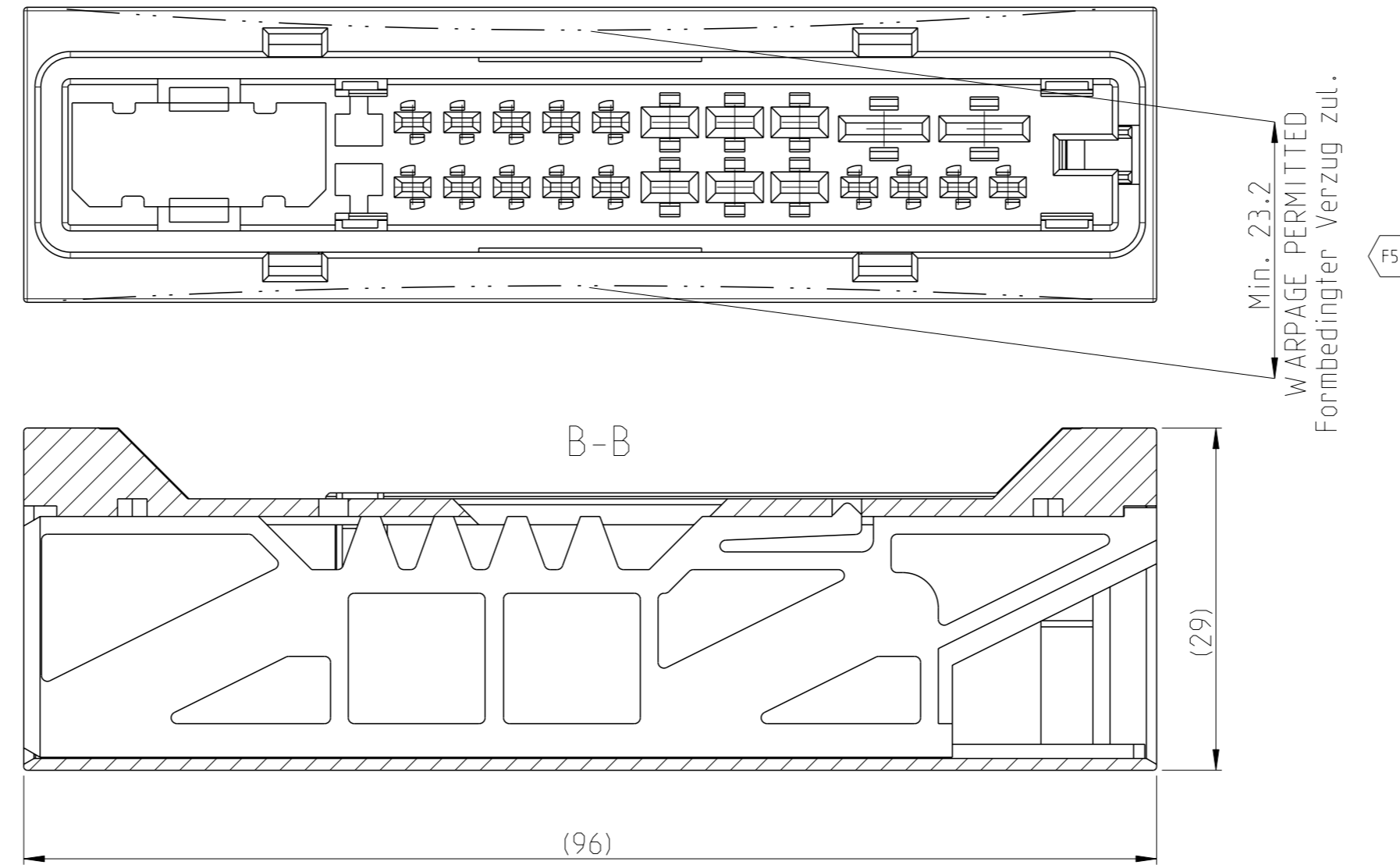
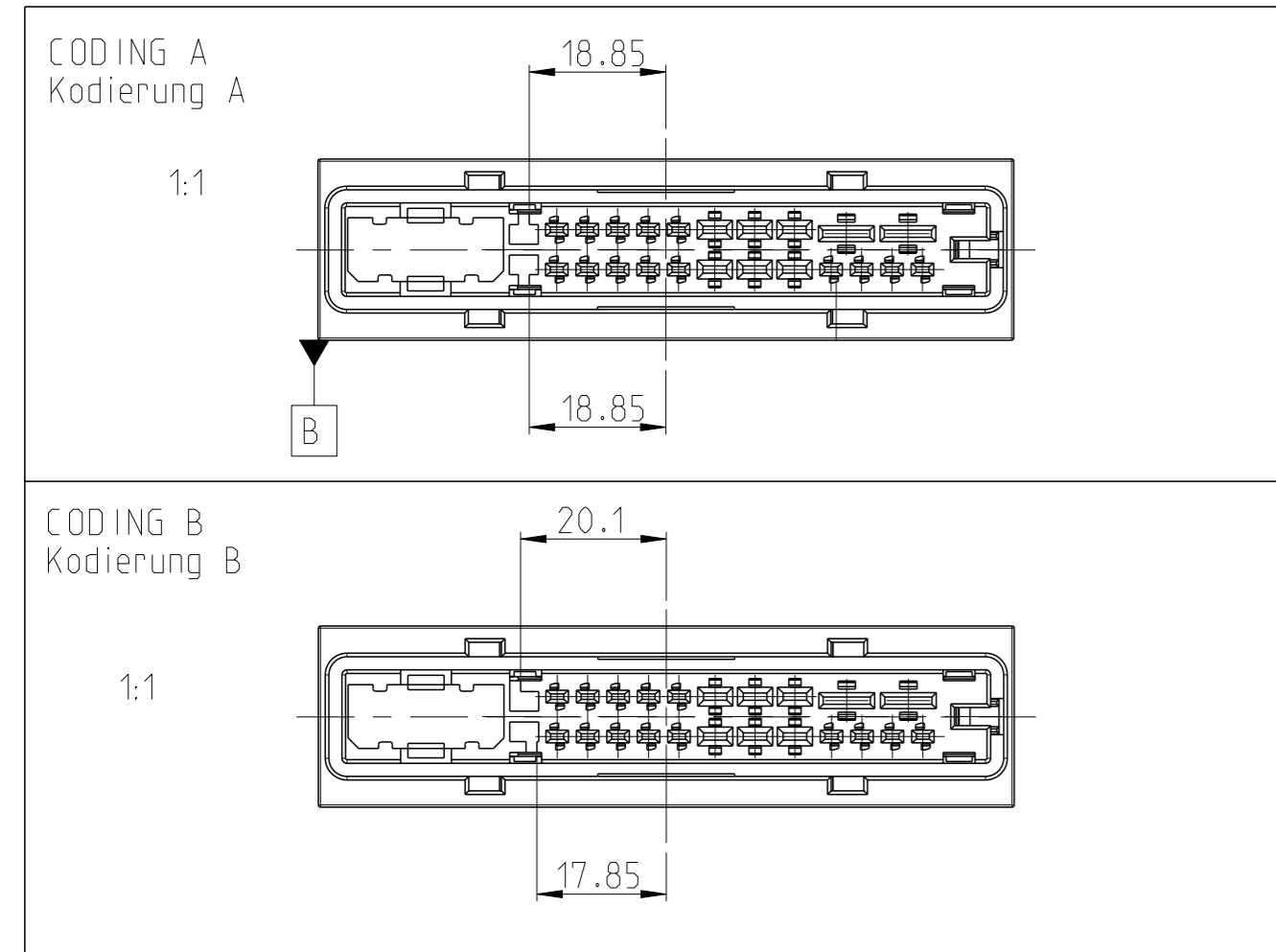
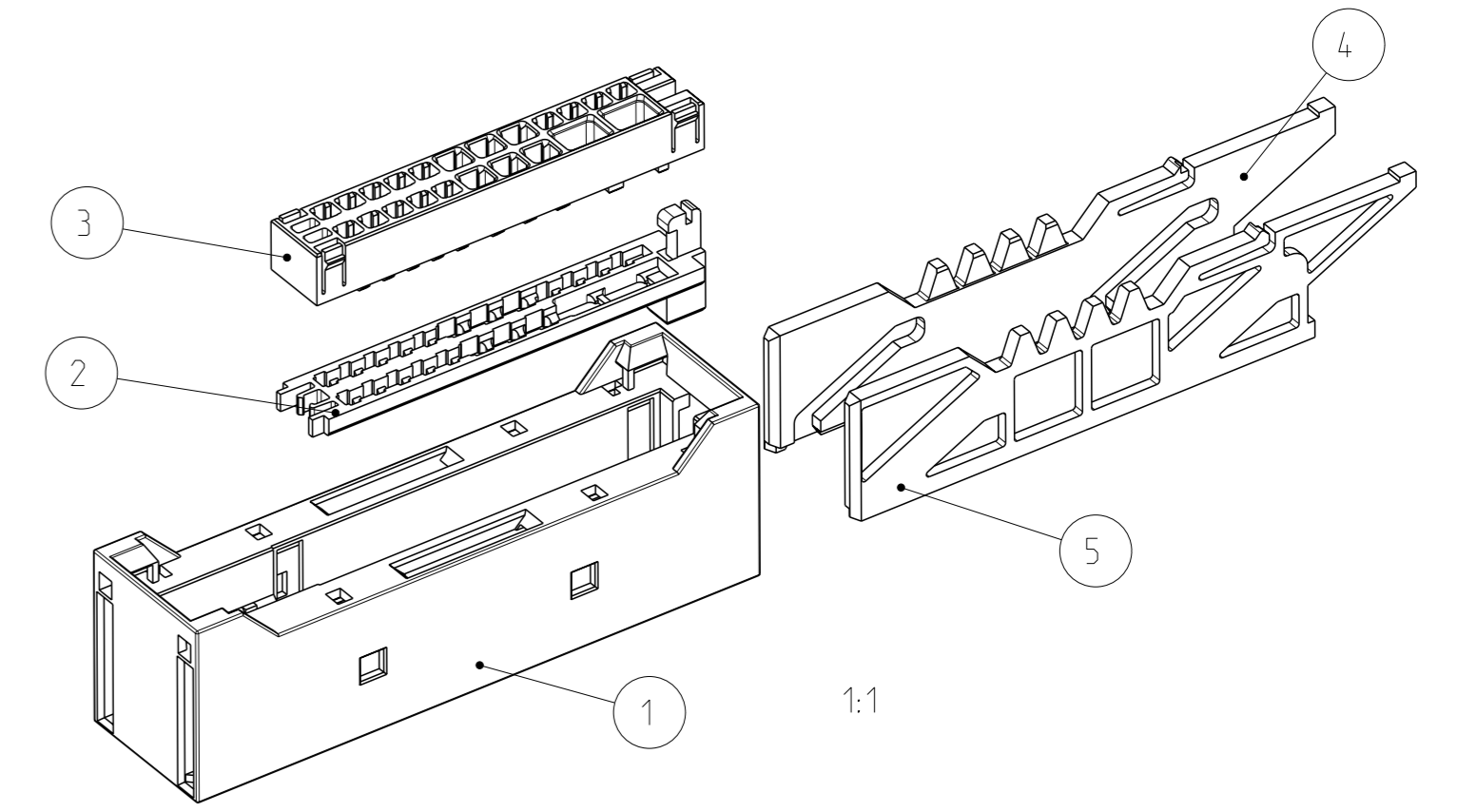


IN CONSEQUENCE OF INCIDENCE / DISTORTION
IS PERMITTED IN THIS RANGE
Bedingt durch Einfall / Verzug
in diesem Bereich zulaessig

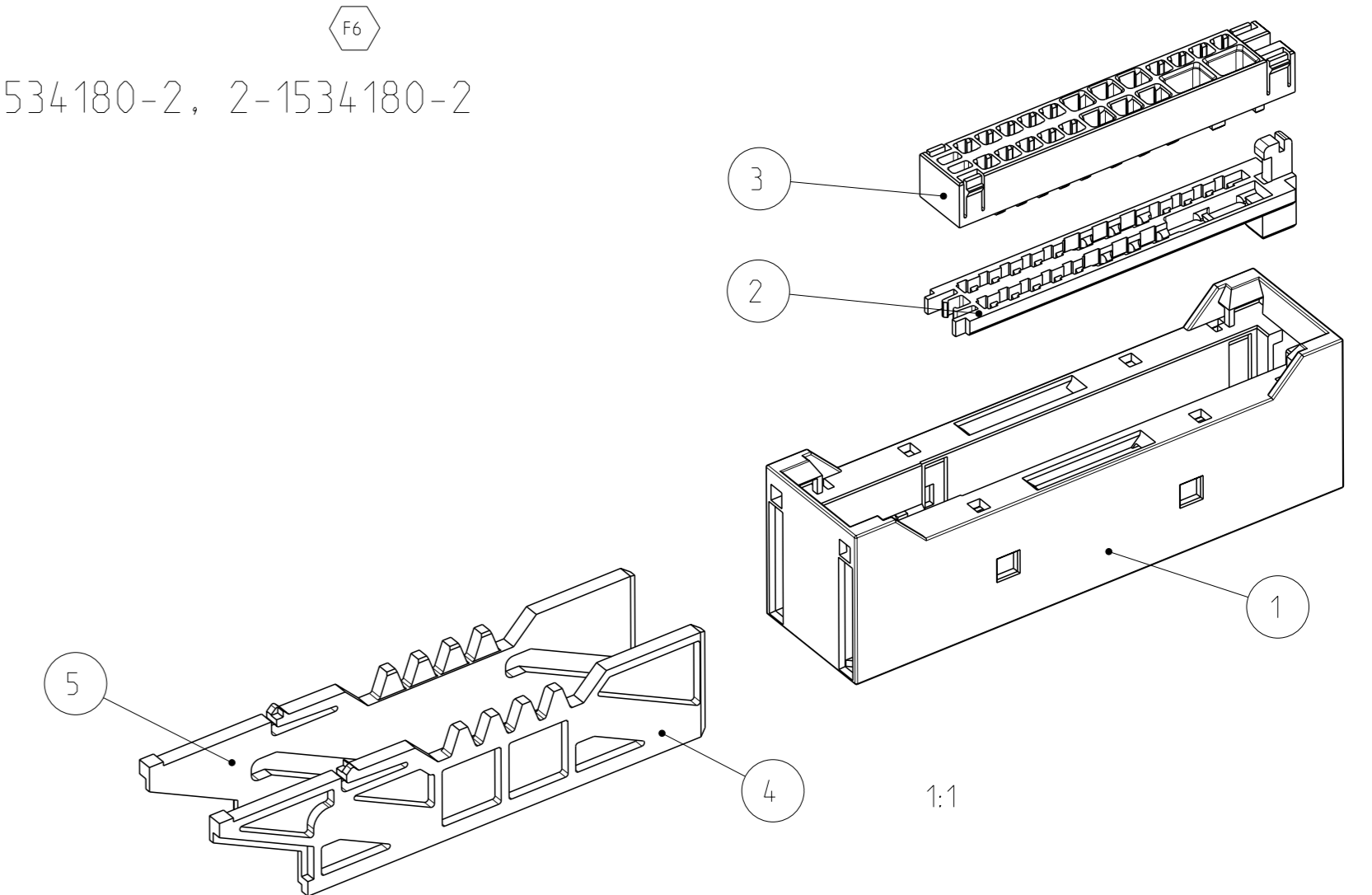
REVISIONS					
F	LY#	DESCRIPTION	DATE	OWN	APVD
F4		Add new version 2-1534180-1	29JUL2011	GB	SzG
F5		ECR-15-001938	13FEB2015	JB,JH	GB
F6		Add new version 2-1534180-2	19NOV2015	JB,JH	GB
G1		Material replacement of Slides,Retainer, H.plate	03MAY2021	GB	SzG



1534180-1, 2-1534180-1



1534180-2, 2-1534180-2



- PACKAGING: INTERLAYER PACKAGING IN CURRUGATED BOX
Verpackung: Lagenweise im Karton
- SUITABLE TAB HEADER 1534531
Passende Stiftsteiste 1534531
- SUITABLE CONTACTS / Passende Kontakte
MCP 1.5: 1241372, 1241374, 1534334
MCP 2.8: 1241386, 1241388, 1241390
MCP 4.8: 1241400, 1241402, 1241404, 1241406
MQS 0.63: 928999, 963715
- FORM CONDITIONED DELAY OF ± 0.3 ADMISSIBLE
Formbedingter Verzug zul. ± 0.3

ITEM	Rev.	Cod.	PART-NO.	Material	COLOUR	DISCRIPTION	QTY.
Bestell-Nr.	Nr.	(a)	Teil-Nr.	(a)	Farbe	Benennung	St.
2-1534180-2	5	B	1534179-1	PBT-GF30	BLACK / schwarz	SLIDE LEFT / Schieber, links	1
	4	B	1534178-1	PBT-GF30	BLACK / schwarz	SLIDE RIGHT / Schieber, rechts	1
	3	B	1534052-1	PA6-GF15	BLACK / schwarz	HOLDER-PLATE / Halteplatte	1
	2	B	1534051-1	PA6-GF30	VIOLET / violett	RETAINER / Halter	1
	1	B	2-1534050-2	PBT+ASA-GF20	WHITE / weiß	CARRIER HSG. / Traeger haeuse	1
2-1534180-1	5	B	1534179-1	PBT-GF30	BLACK / schwarz	SLIDE LEFT / Schieber, links	1
	4	B	1534178-1	PBT-GF30	BLACK / schwarz	SLIDE RIGHT / Schieber, rechts	1
	3	B	1534052-1	PA6-GF15	BLACK / schwarz	HOLDER-PLATE / Halteplatte	1
	2	B	1534051-1	PA6-GF30	VIOLET / violett	RETAINER / Halter	1
	1	B	2-1534050-1	PBT+ASA-GF20	WHITE / weiß	CARRIER HSG. / Traeger haeuse	1
1534180-2	5	C	1534179-1	PBT-GF30	BLACK / schwarz	SLIDE LEFT / Schieber, links	1
	4	C	1534178-1	PBT-GF30	BLACK / schwarz	SLIDE RIGHT / Schieber, rechts	1
	3	C	1534052-1	PA6-GF15	BLACK / schwarz	HOLDER-PLATE / Halteplatte	1
	2	C	1534051-1	PA6-GF30	VIOLET / violett	RETAINER / Halter	1
	1	C	2-1534050-1	PBT+ASA-GF20	WHITE / weiß	CARRIER HSG. / Traeger haeuse	1
1534180-1	5	F	1534179-1	PBT-GF30	BLACK / schwarz	SLIDE LEFT / Schieber, links	1
	4	F	1534178-1	PBT-GF30	BLACK / schwarz	SLIDE RIGHT / Schieber, rechts	1
	3	F	1534052-1	PA6-GF15	BLACK / schwarz	HOLDER-PLATE / Halteplatte	1
	2	F	1534051-1	PA6-GF30	VIOLET / violett	RETAINER / Halter	1
	1	F	1534050-1	PBT+ASA-GF20	BLACK / schwarz	CARRIER HSG. / Traeger haeuse	1

ORDER-NO.	ITEM	Rev.	Cod.	PART-NO.	Material	COLOUR	DISCRIPTION	QTY.
Bestell-Nr.	Nr.	(a)	(a)	Teil-Nr.	(a)	Farbe	Benennung	St.

PRODUCT CHARACTERISTICS ACC. QMP EMEA_12 BESONDERE MERKMALE NACH QMP EMEA_12 <small>TOLERANCES UNLESS OTHERWISE SPECIFIED ACC. TO DIN 16901-140. CENTRIC TO NOMINAL DIMENSION. EDITION 1982-11. FREIHALBTOLERANZEN NACH DIN 16901-140. ES GILT DIE AUSGABE 1982-11.</small>		THIS DRAWING IS A CONTROLLED DOCUMENT. <small>THIS DRAWING IS A CONTROLLED DOCUMENT. DIMENSIONING AND TOLERANCING PER GPS (ISO STANDARDS).</small>		DWN: R. Dierkes CHK: B. Leonhardt DATE: 04MAR2004 DATE: 09MAR2004	
DIMENSIONS: mm 		TOLERANCES UNLESS OTHERWISE SPECIFIED: 0 PLC ± 1 PLC ± 2 PLC ± 3 PLC ± 4 PLC ± ANGLES ° ±		NAME: REC. HOUSING 32POS. MCP. SUB-ASSY. Buchsengehaeuse 32pol. MCP, ZSB	
MATERIAL: - FINISH: -		WEIGHT: - Customer Drawing		SIZE: 114-18619-001 CAGE CODE: 00779 DRAWING NO: 1534180 RESTRICTED TO: -	
		SCALE: 2:1		SHEET: 1 OF 1 REV: G1	