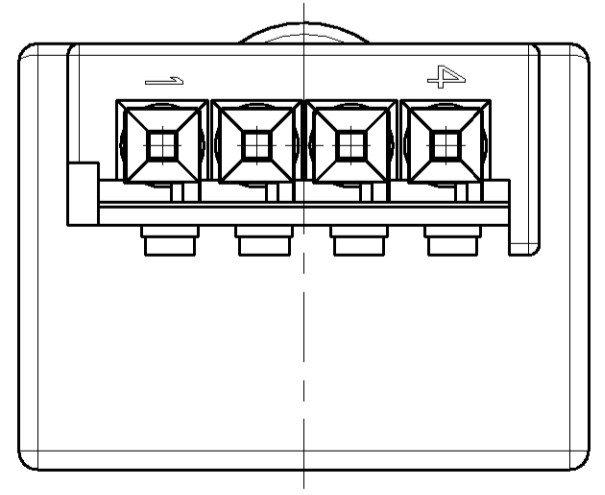
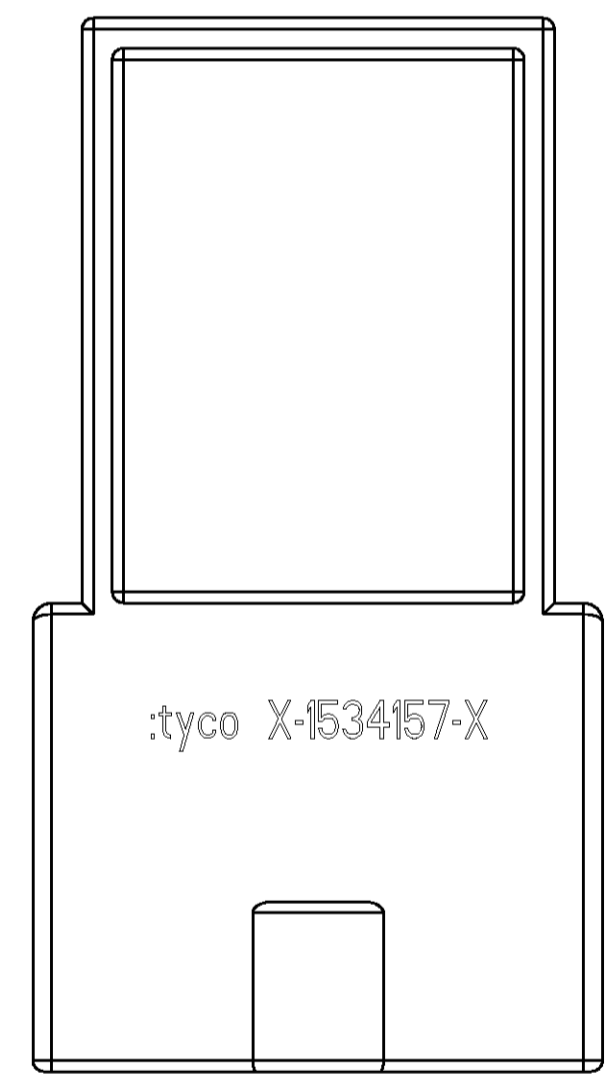
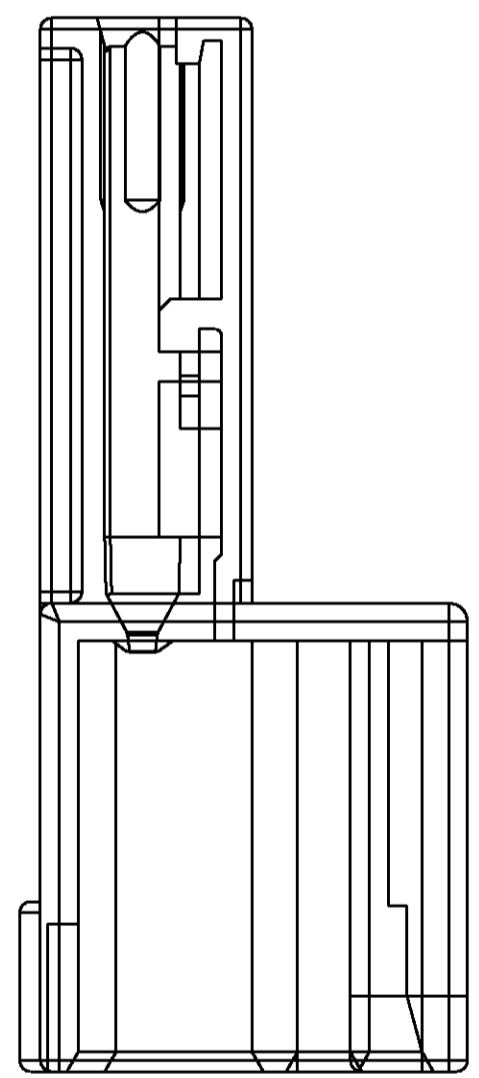
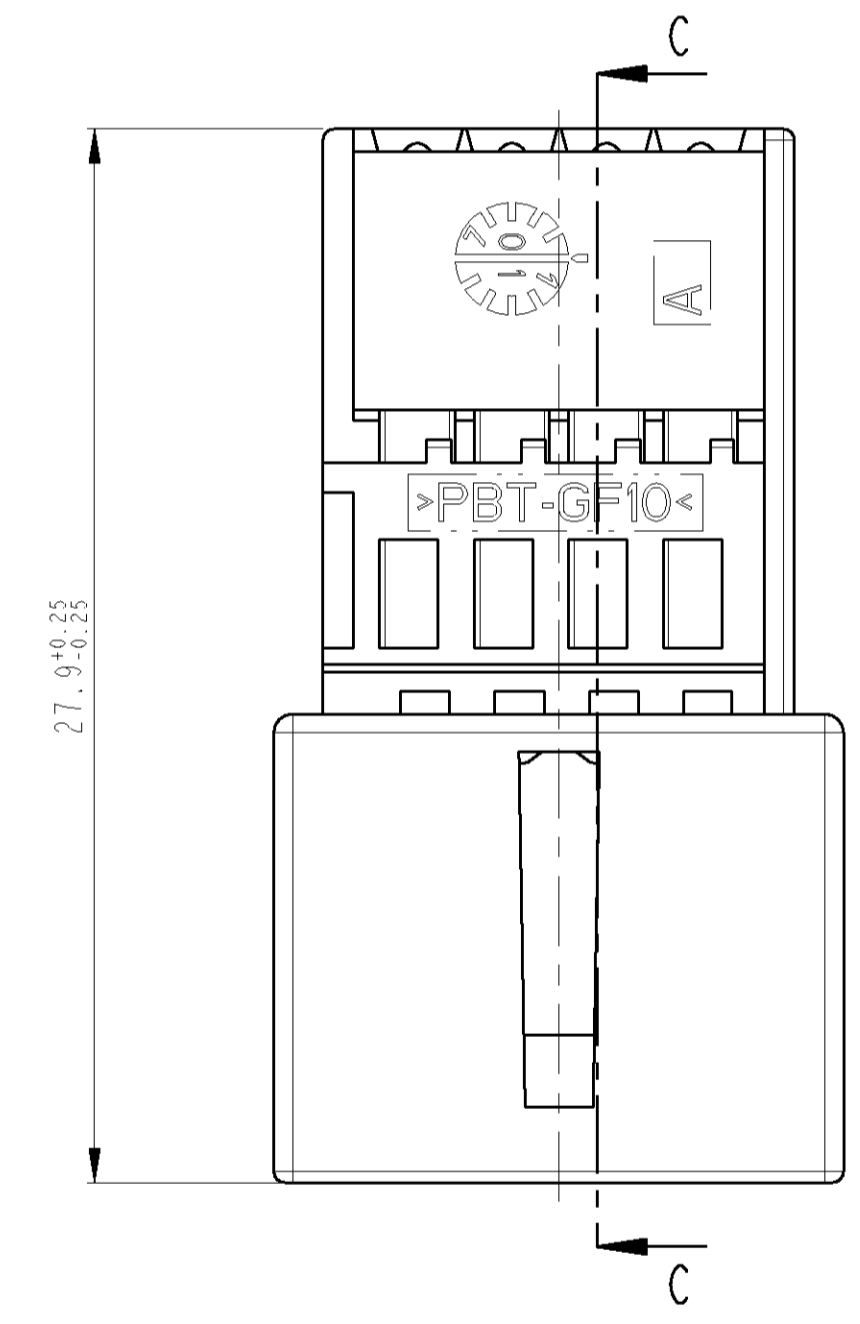
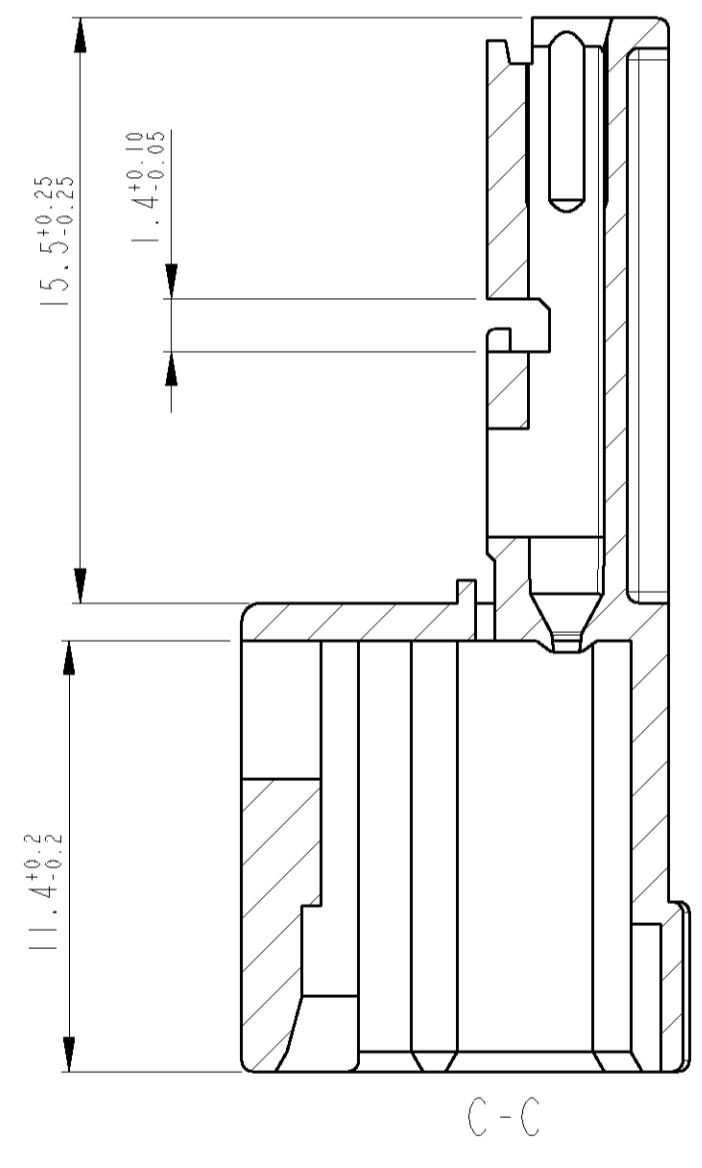
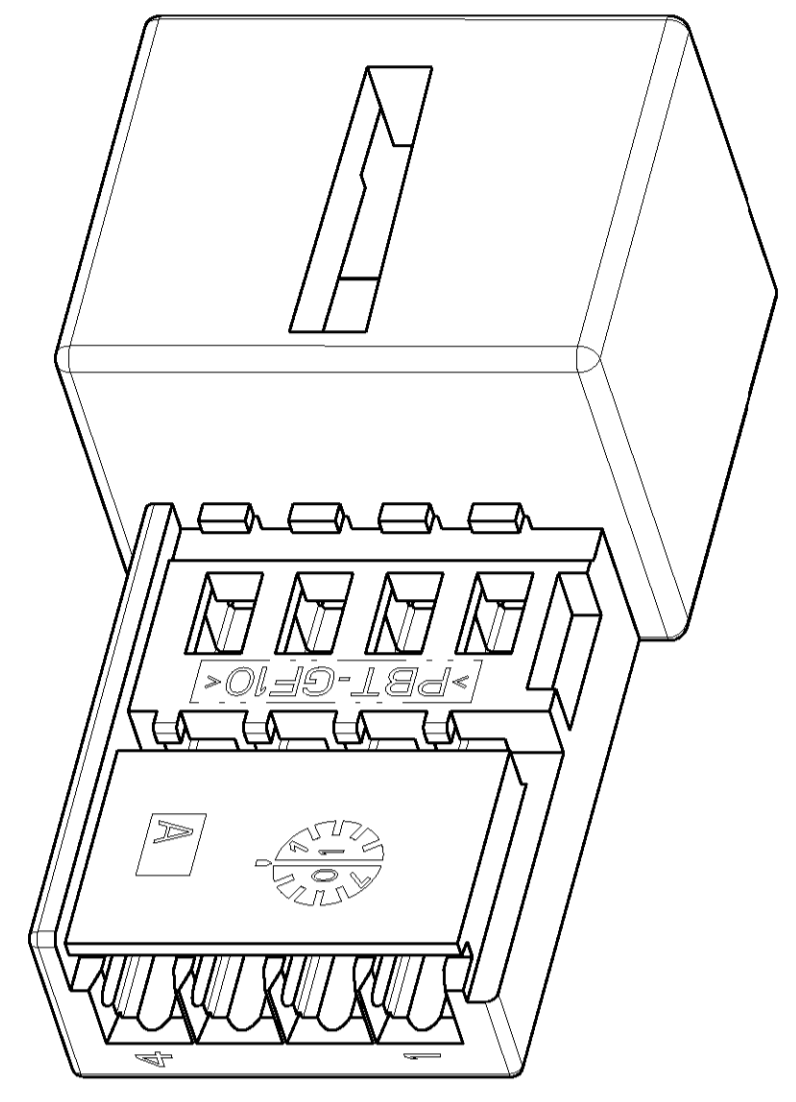
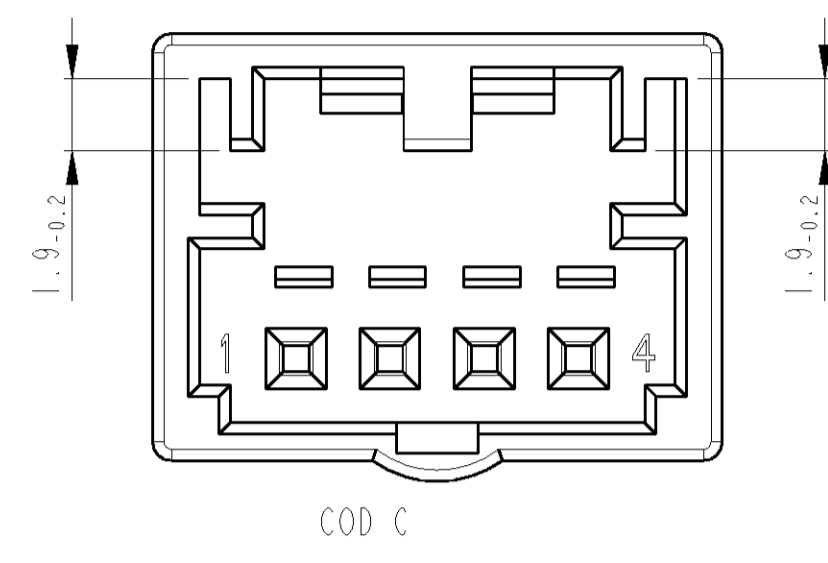
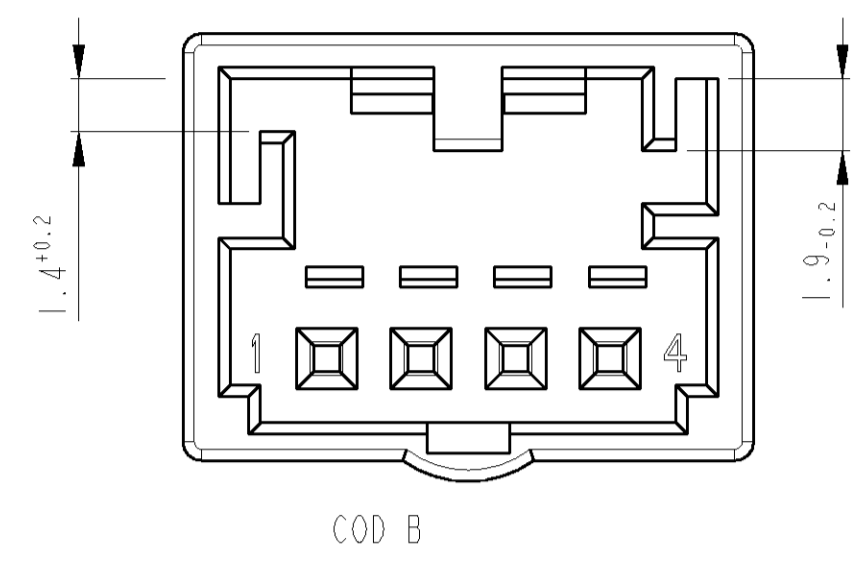
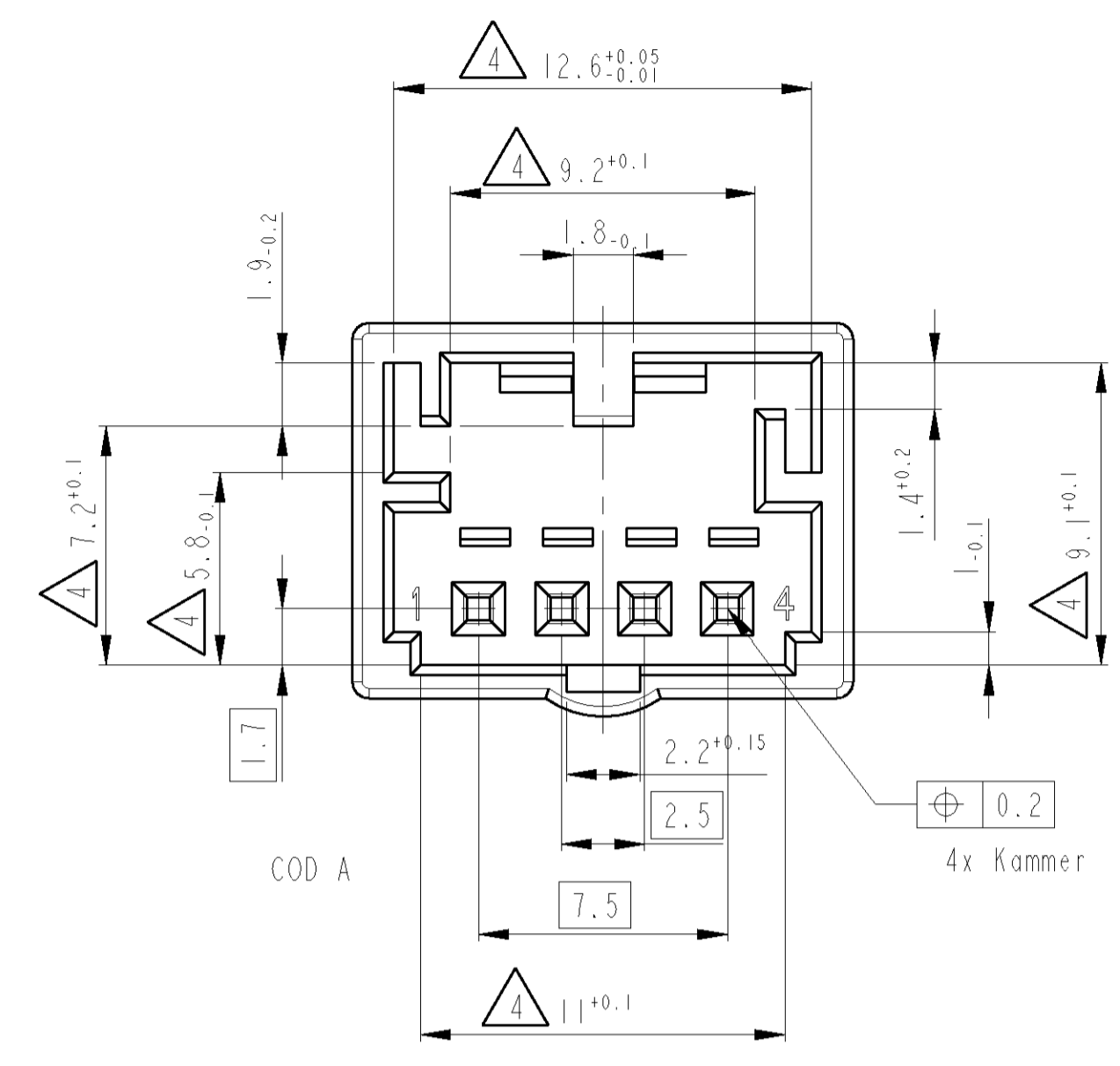


LOC	DIST	P	LTR	REVISIONS	DATE	DWN	APVD
				ÄNDERUNGEN			
				DESCRIPTION			
				BESCHREIBUNG			
A1	-			NOTE 4 ADDED	20FEB2006	PS	BL



Bemerkungen

- 1 Verwendet mit Verriegelung: 1534131
- 2 Passender Gegenstecker: 1534148
- 3 Passende Stiftkontakte: 1355719 (DGB 0.14 - 0.22 mm2)
 928918 (DGB 0.20 - 0.50 mm2)
 963716 (DGB 0.75 mm2)
- 4 Formbedingter Verzug max. 0.4 mm

NOTES

- 1 USED WITH RETAINER: 1534131
- 2 MATING PART: 1534148
- 3 SUITABLE PIN CONTACTS: 1355719 (WIRE RANGE 0.14 - 0.22 mm2)
 928918 (WIRE RANGE 0.20 - 0.50 mm2)
 963716 (WIRE RANGE 0.75 mm2)
- 4 WARPAGE MAX. 0.4 mm PERMITTED

Bestell NO.	COD.	REV.	MATERIAL	COLOUR	DESCRIPTION	QTY.	ITEM NO.
ORDER NO.				Farbe	Benennung		
1-1534157-3	A	A	PBT-GF10	NEB	PINHOUSING	1	1
1-1534157-2	B	A	PBT-GF10	BROWN	PINHOUSING	1	1
1-1534157-1	A	A	PBT-GF10	BLACK	PINHOUSING	1	1

DWG: G. Fischer CHK: B. Kirsch		DTMAR02 DTMAR02		tyco Electronics		tyco Electronics AMP GmbH D - 64625 Bensheim	
DIMENSIONS: MASSEINHEITEN: mm TOLERANCES: UNLESS OTHERWISE SPECIFIED: ALL DIMENSIONS IN MILLIMETERS		PRODUCT SPEC: PLC PRODUCT SPEC: DIN 16901-140 APPLICATION SPEC: 108-18924 VERARBEITUNGSSPEZ.: 114-18630		NAME: PIN HSG., 4 POSN., MOS. ASSY Stiftheuse, 4 pol., MOS. ZSB		RESTRICTED TO NUR FÜR: -	
MATERIAL: -		WEIGHT: - GEWICHT: -		SIZE: A1 CAGE CODE: 00779 DRAWING NO.: 1534157		SCALE: 5:1 SHEET: 1 OF 1 REV: A5	
CUSTOMER DRAWING / KUNDENZEICHNUNG				SCALE: 5:1			