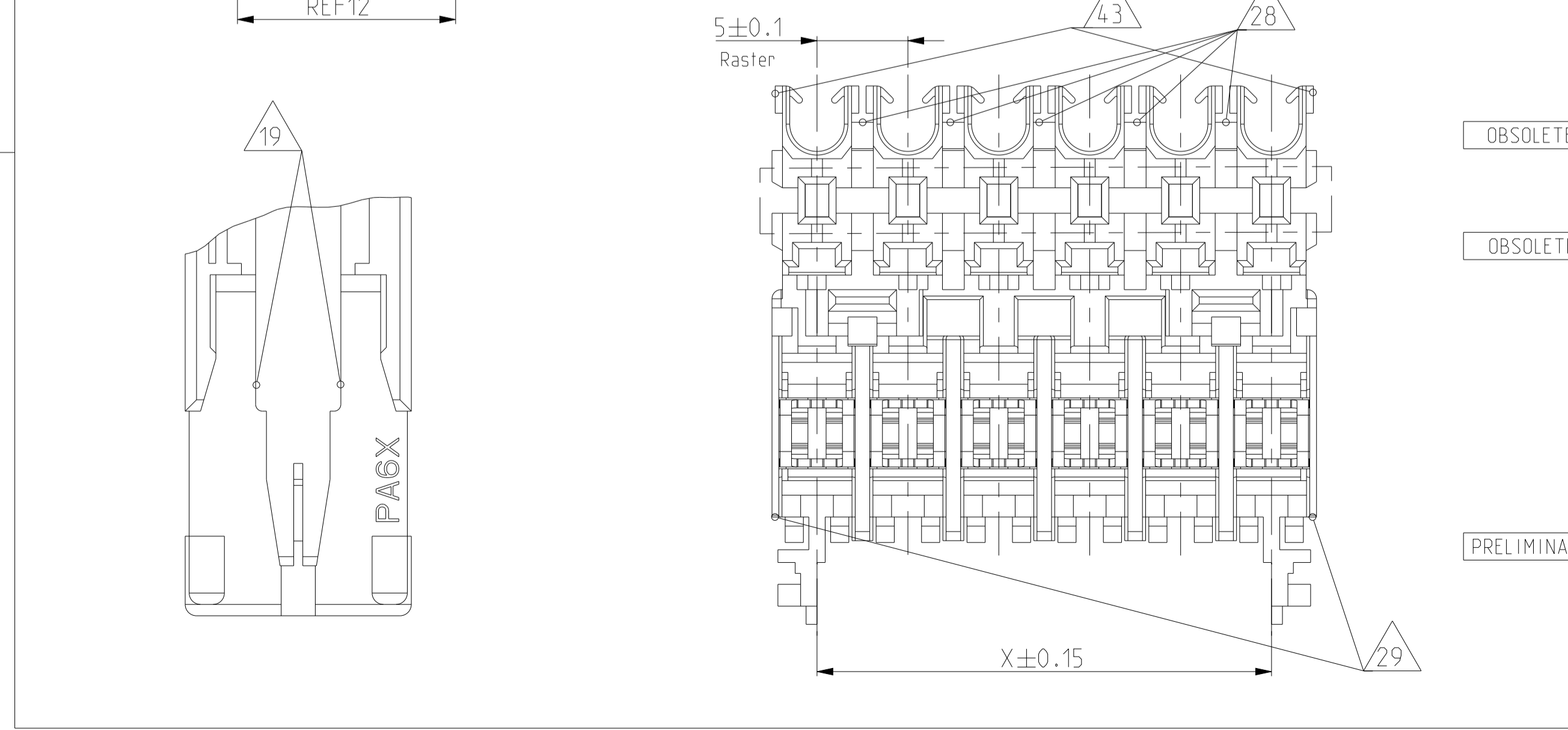
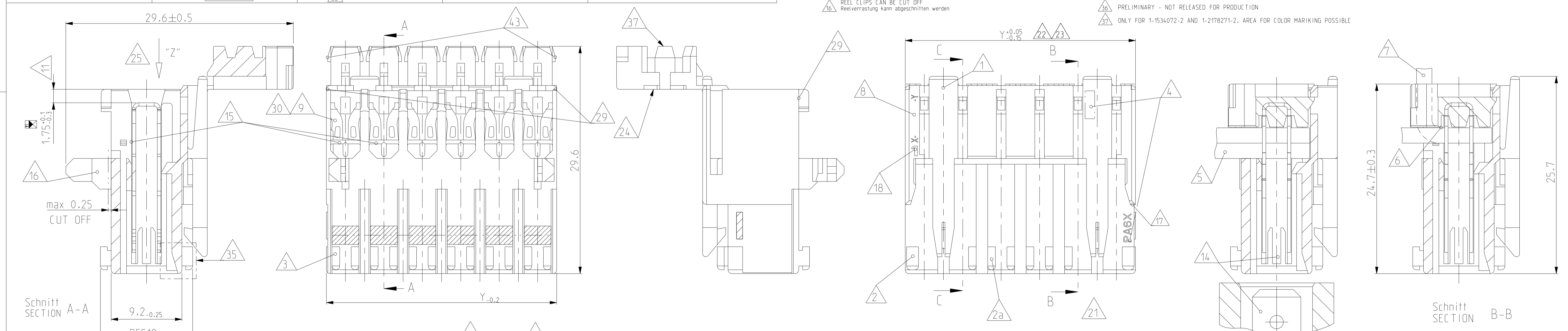


LOCKING DEVICE BETWEEN CAVITY-NO. Verriegelung zwischen Kammer-Nr.  
 KEYING RIB ON FIRST AND LAST CAVITY Kodierrippen bei erster und letzter Kammer  
 TYPICAL KEYING RIB Typische Kodierungsrippen  
 POLARIZATION RIB (ALL) Polarisierungsrippen (alle)  
 TE LOGO, MATERIAL DESCRIPTION (PA6) TE LOGO, Materialbezeichnung (PA6)  
 CONNECTOR WITH DOUBLE WIRE FOR WIRE RANGE: (ONLY) 0.5-0.5, 0.5-0.75. (SEE APPL. SPEC. NO. 114-18288)  
 CONNECTOR WITH SINGLE WIRE FOR WIRE RANGE: 0.35-1.5mm² (SEE APPL. SPEC. NO. 114-18288).  
 STRANDED WIRE BENT TO 90° (ONLY FOR SINGLE WIRE POSSIBLE) Litze 90° gebogen (nur bei Einzelanschlag möglich)  
 OPTIONAL TE NO. (HOUSING PIN, PRE- AND SUFFIX ONLY)  
 CAVITY LOADED WITH CONTACT FOR DGB 0.35-1.0mm² (CuZn30 POSTINNED) Kammer bestückt mit Kontakt fuer DGB 0.35-1.0mm² (CuZn30 postinned)  
 PACKAGING SEE SPEC. 107-18008 Verpackung siehe Verpackungsanweisung 107-18008  
 CONTACT POSITION IN CAVITY Kontaktposition in Kammer  
 ASS'Y PN. ONLY PRE- AND SUFFIX. ATTENTION: IDENTIFICATION OF THE COMPLETE ASS'Y PN ONLY POSSIBLE WITH PRE-, SUFFIX, MATERIAL AND CHART. THE COMPLETE ASS'Y PN IS VISIBLE ON PACKAGING.  
 NOTE IN PROCESS CUT OFF INDIVIDUAL Im Prozess beliebig abschneidbar  
 SLOT ACCEPT TAB 6.3x0.8, 4.8x0.8 AT DIN e.g. 46244 Kontaktbereich geeignet fuer Tab 6.3x0.8, 4.8x0.8 nach DIN z.B. 46244  
 WIRE SUPPORT Drahtumfuetzung  
 REEL CLIPS CAN BE CUT OFF Reelverrastung kann abgeschnitten werden

MATING STOP Tiefenanschlag  
 HSG. CAVITY NO.1 Gehäuse Kammer Nr.1  
 SPECIAL LOCKING DEVICE ONLY 2POS. HOUSING Besondere Hängengeometrie nur bei 2pol. Gehäuse  
 MAX. 4 STRANDED WIRE 1.0mm² IF USING CONTACT Max. 4 Litzen 1.0mm² bei Bestueckung mit Kontakt  
 VIEW WITH CLOSED COVER Ansicht mit geschlossenem Deckel gezeichnet  
 EXPANSION OF DIMENSION "Y" AFTER TERMINATION BY USING 4 POS. CONNECTORS WITH 1.5mm² STRANDED WIRE AND 8 POS. CONNECTORS WITH 0.75mm² STRANDED WIRE SEE APPL. SPEC.  
 FOR DOUBLE WIRE SEE APPL. SPEC. Bei Doppelschlag siehe Appl. Spec.  
 AREA FOR COLOUR MARKING POSSIBLE Platz fuer farbige Markierung moeglich  
 KEYING, VIEW AT DIRECTION "Z" Kodierschema: Ansicht in Richtung "Z"  
 LOCKING DEVICE INSIDE OF THE HOUSING (ONLY 4POS. HOUSING) Verriegelung innerhalb des Gehäuses (nur bei 4pol. Gehäusen)  
 MATERIAL PA6 (GWIT 750°C WITHOUT FLAME) Material PA6 (Guehdrahtpufferung 750°C ohne Flamme)  
 EXTENSION OF WALL, EXCLUDING 1POS. HOUSING ATTENTION: CHANGES TO BE IMPLEMENTED ON ALL TOOLS (10A AND 16A) Verlängerung der Zwischenwand, betrifft nicht 1pol. Variante  
 EXTERNAL WALLS FOR SNAPPING COVER TO BE REMOVED ON 2POS.-9POS. HOUSINGS Aussere Wände an 2pol., 9pol. Varianten, um Deckel einzurasten, können entfernt werden  
 CAVITY LOADED WITH CONTACT FOR DGB 0.35-1.0mm² (CuNiSi POSTSILVERED) Kammer bestückt mit Kontakt fuer DGB 0.35-1.0mm² (CuNiSi versilbert)  
 ATTENTION: CHANGES TO BE IMPLEMENTED IN THE TOOLS Achtung! Note werden zur Zeit im Werkzeug geändert  
 CONNECTION WITH TAB HEADER, SEE PN C97-52824-1000 Verbindung mit Tab Wanne, siehe PN C97-52824-1000  
 ELASTIC DEFORMATION OUTWARDS IS ACCEPTABLE IN THE MARKED AREA (EXCLUDING 1 POS. CONNECTOR). WORKABILITY AND MODULARITY IS GRANTED. Elastische Verformung nach außen ist im markierten Bereich zulässig (ausser 1 pol. Connector). Verarbeitbarkeit bzw. Anreihbarkeit ist nicht gefährdet.  
 CONCERNS ONLY 2POS. VERSIONS (1 CHAMFER AT MIDDLE WALL ADDED) Betrifft nur 2 pol. Variante (Fase an mittlerer Rippe hinzu)  
 ALTERNATE GEOMETRY IN HOUSING CAVITY IS PERMITTED FOR ALL VERSIONS UNTIL FURTHER NOTICE. SEE SHEET 2 OF 2  
 PRELIMINARY - NOT RELEASED FOR PRODUCTION  
 ONLY FOR 1-1534072-2 AND 1-2178271-2. AREA FOR COLOR MARKING POSSIBLE

LOC	DIST	REV	DATE	BY	APPV
A1	-	1	120C12022	SM	FL
		2	08NOV2022	DC	FL
		3	21DEC2022	SM	FL
		4	030C12023	SM	FL



POS.-NO. / Polzahl	COLOR / Farbe	HOUSING-NO. / Gehäuse-Nr.	ASSY NO. / Assy Nr.	ASSY NO. / Assy Nr.	DIM "X" / Mass "X"	DIM "Y" / Mass "Y"
10	Natur	1-1534071-0	1-1534072-0	-	45	49.95
9	Natur	0-1534071-9	0-1534072-9	-	40	44.95
8	Natur	1-1534071-8	1-1534072-8	1-2178271-8	35	39.95
	Natur	0-1534071-8	0-1534072-8	-	35	39.95
7	Natur	2-1534071-7	2-1534072-7	2-2178271-7	30	34.95
	Natur	1-1534071-7	1-1534072-7	1-2178271-7	30	34.95
6	Natur	0-1534071-7	0-1534072-7	0-2178271-7	30	34.95
	Natur	2-1534071-6	2-1534072-6	-	25	29.95
5	Natur	1-1534071-6	1-1534072-6	1-2178271-6	25	29.95
	Natur	0-1534071-6	0-1534072-6	0-2178271-6	25	29.95
4	Natur	5-1534071-5	5-1534072-5	5-2178271-5	20	24.95
	Natur	1-1534071-5	1-1534072-5	1-2178271-5	20	24.95
3	Natur	0-1534071-5	0-1534072-5	0-2178271-5	20	24.95
	Natur	2-1534071-4	2-1534072-4	-	15	19.95
2	Natur	1-1534071-4	1-1534072-4	1-2178271-4	15	19.95
	Natur	0-1534071-4	0-1534072-4	0-2178271-4	15	19.95
1	Natur	1-1534071-3	1-1534072-3	1-2178271-3	10	14.95
	Natur	0-1534071-3	0-1534072-3	0-2178271-3	10	14.95
PRELIMINARY	Black	0-1534071-2	1-1534072-2	1-2178271-2	5	9.95
	Natur	0-1534071-2	0-1534072-2	0-2178271-2	5	9.95
1	Natur	0-1534071-1	0-1534072-1	0-2178271-1	-	4.95
1	Natur	0-1534071-1	0-1740405-1	-	-	4.95

Schnitt SECTION C-C

THIS DRAWING IS A CONTROLLED DOCUMENT. DATE OF MANUFACTURE IS TO BE CHECKED AND RECORDED. DIMENSIONS: MILLIMETERS. TOLERANCES UNLESS OTHERWISE SPECIFIED: ALL DIMENSIONS.

OWNER: OTE Connectivity  
 CHECKED: G. Bartosch  
 DRAWING NO: 1534072  
 DRAWING NO: 1534072

1-10pos. AMP multifitting Mark II ASSEMBLY PITCH 5mm TAB VERSION

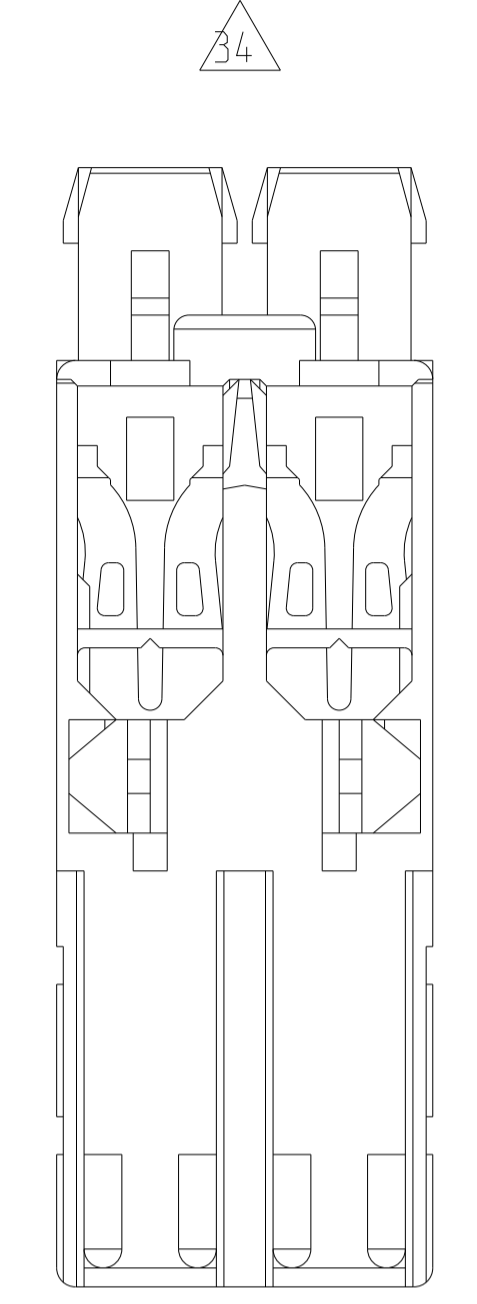
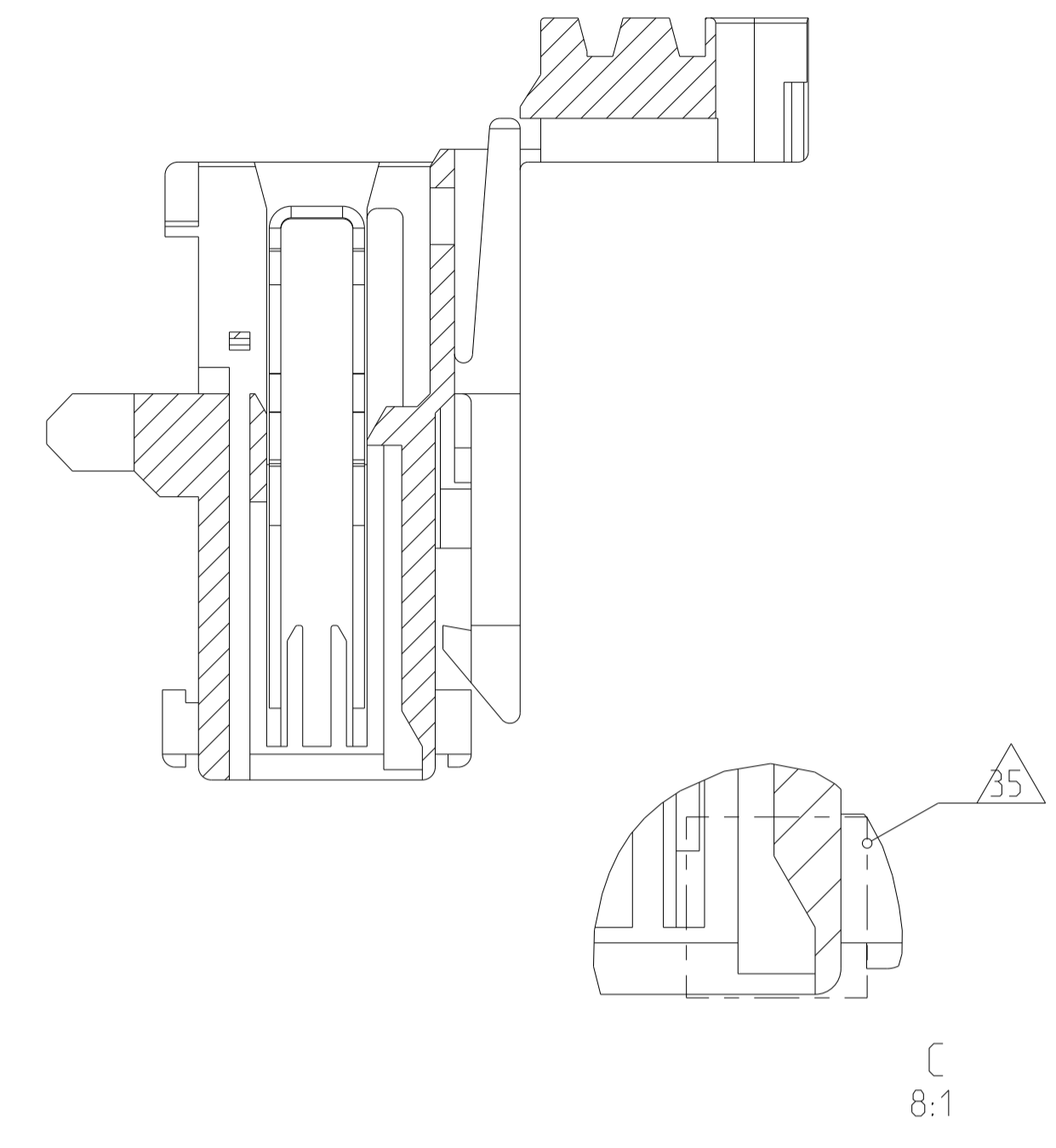
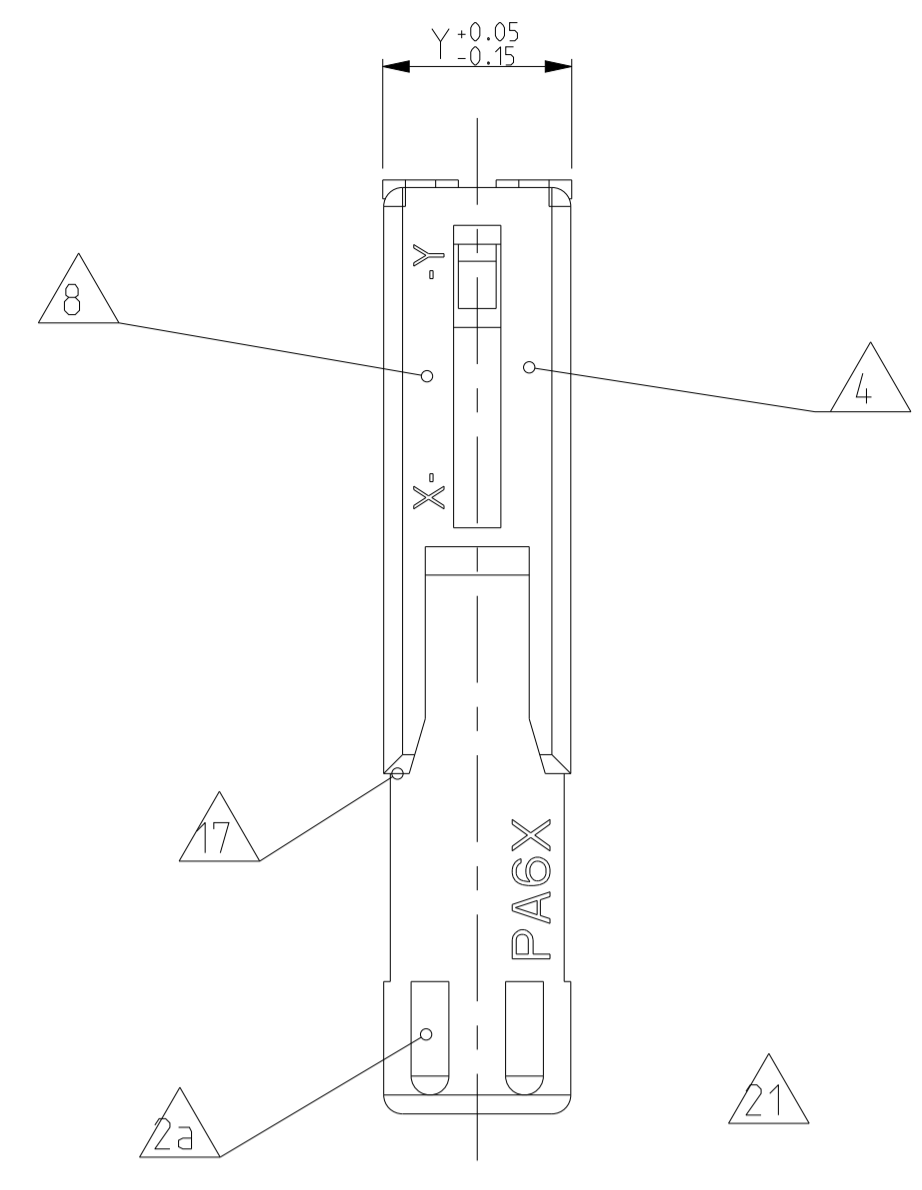
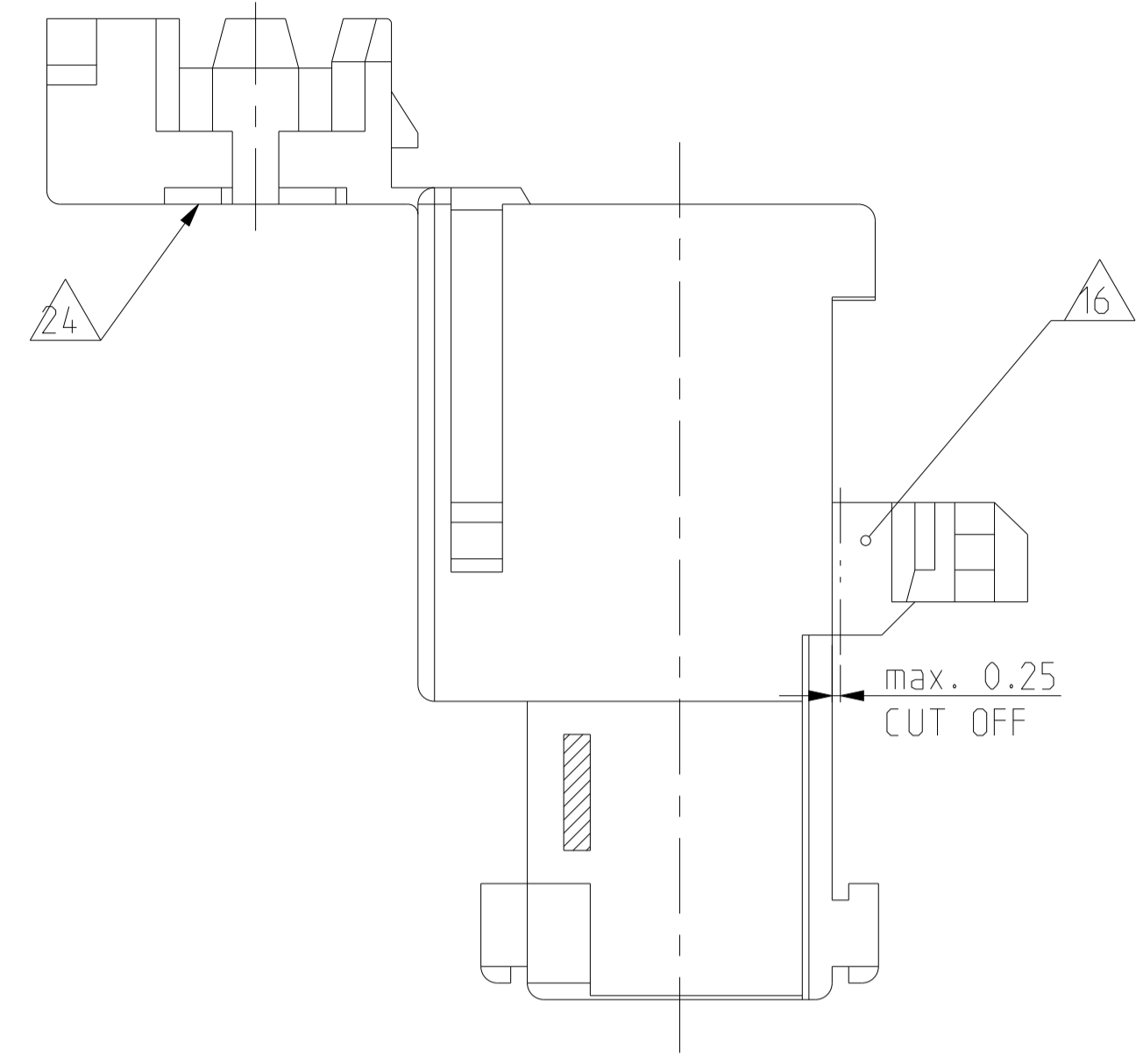
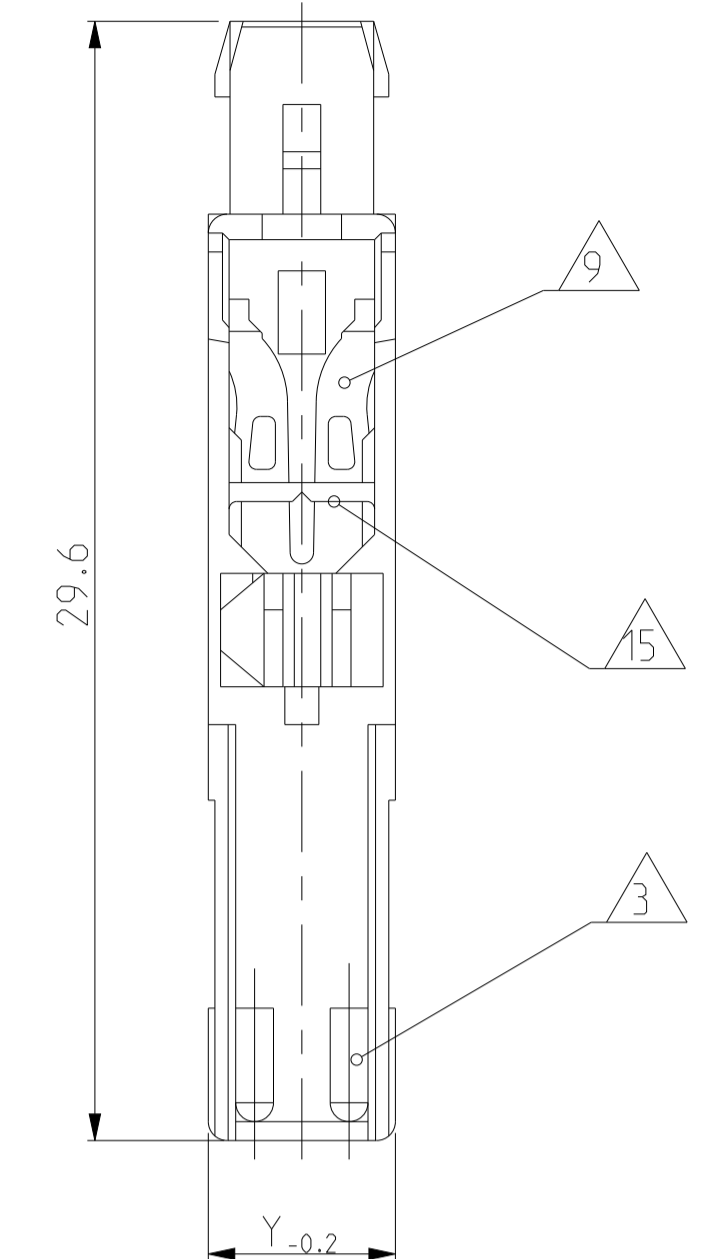
DATE: 03MAR2022  
 BY: T. Klenner  
 APPV: 28NOV01

SIZE: A1  
 CAGE CODE: 00779  
 DRAWING NO: 1534072

RESTRICTED TO: NUR FUER: -  
 SCALE: MASSSTAB 4:1  
 SHEET: 1 OF 3  
 REV: K25

LOC	DIST	P	LTN	REVISIONS	DATE	DWN	APVD
A1	-	-	-	ÄNDERUNGEN	-	-	-
PRODUCT NO.:				DESCRIPTION	DATE		
SEE SHEET 1				BESCHREIBUNG	DATE		

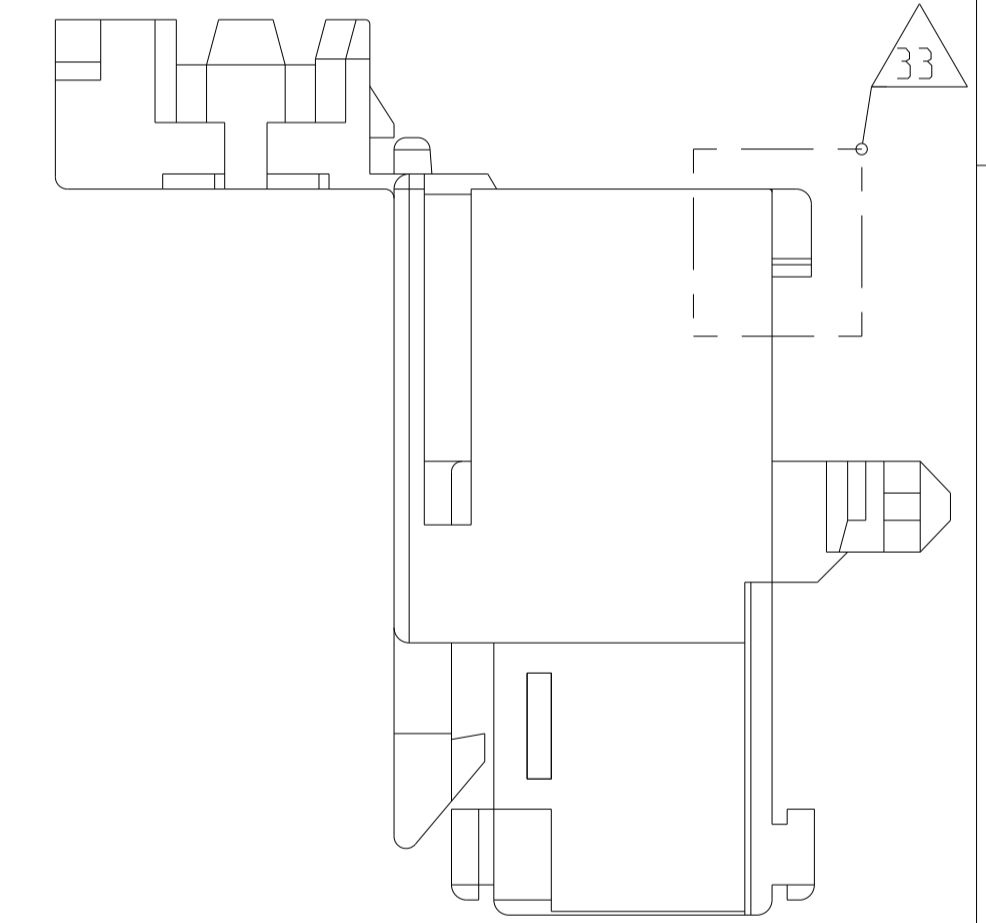
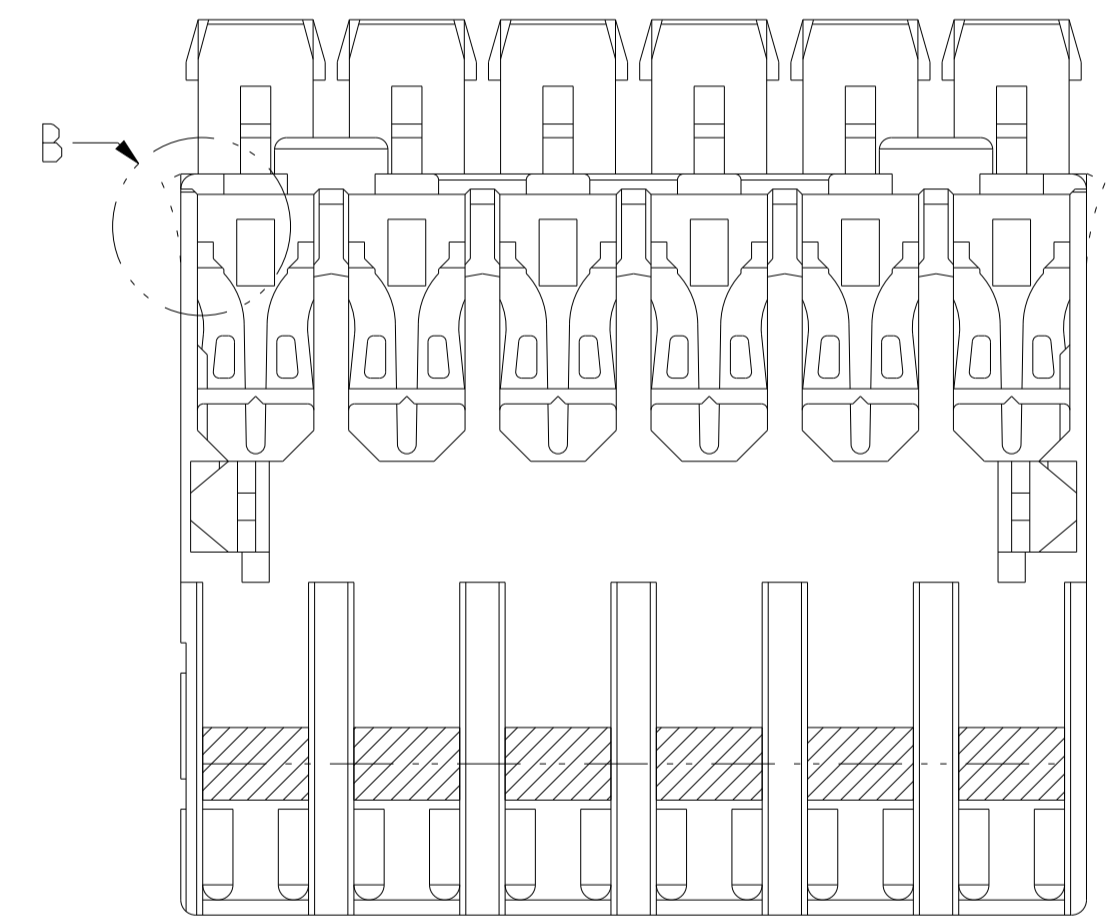
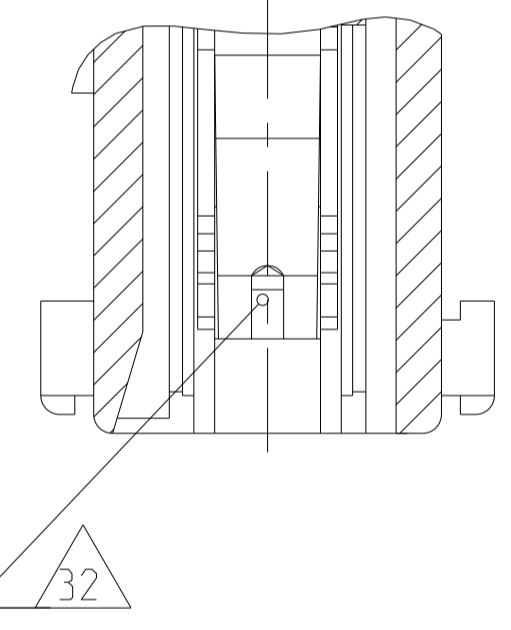
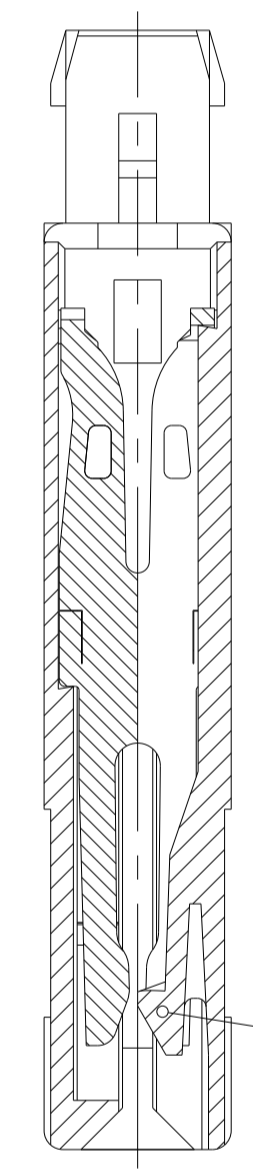
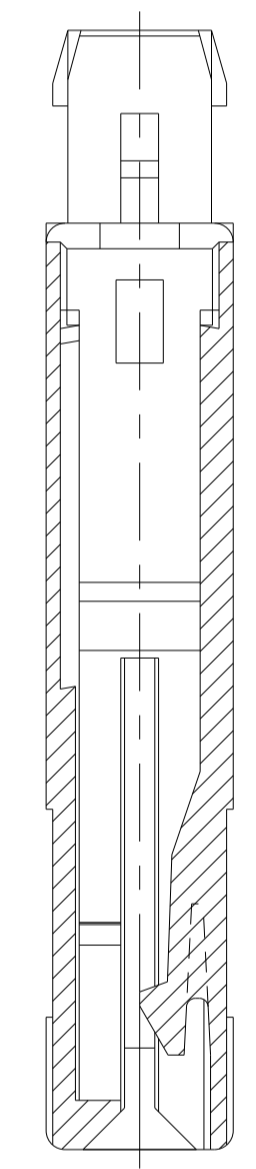
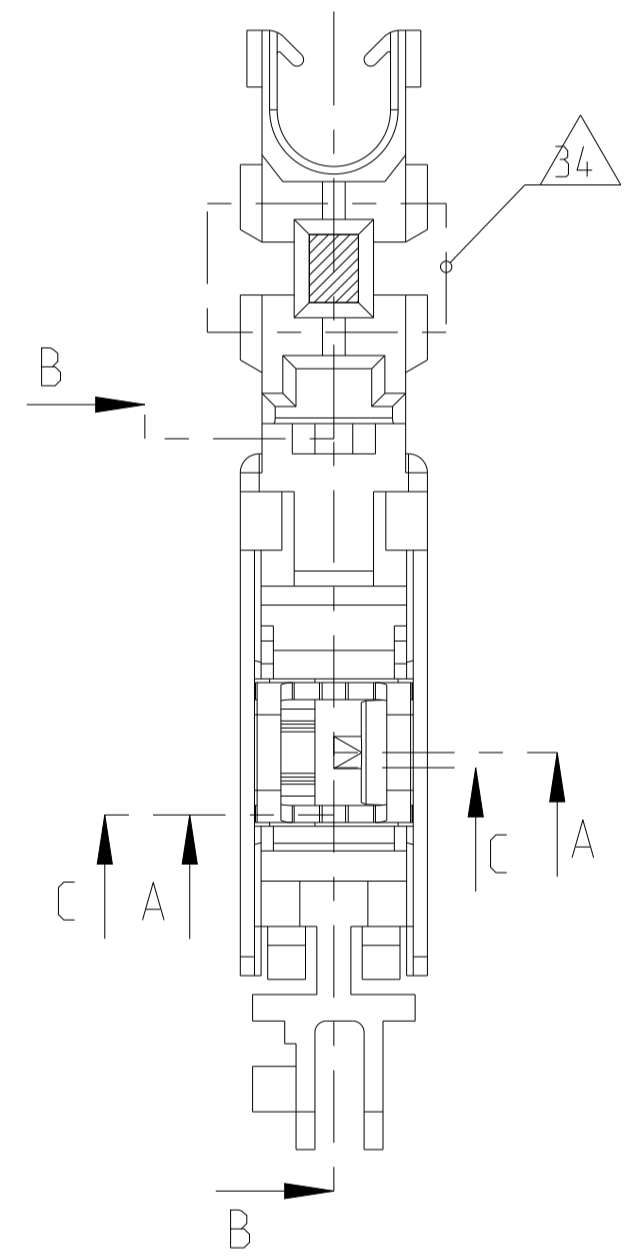
ALTERNATE GEOMETRY IN HOUSING CAVITY  $\triangle 35$



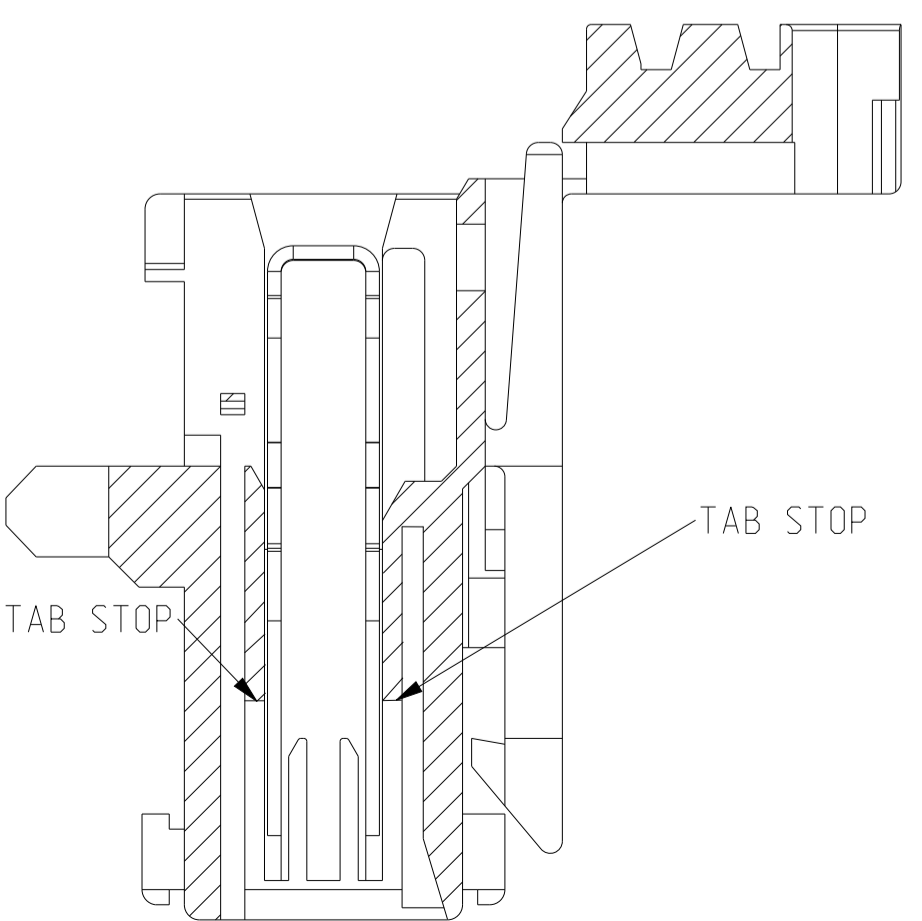
SECTION A-A  
Schnitt

SECTION C-C  
Schnitt

SECTION B-B  
Schnitt



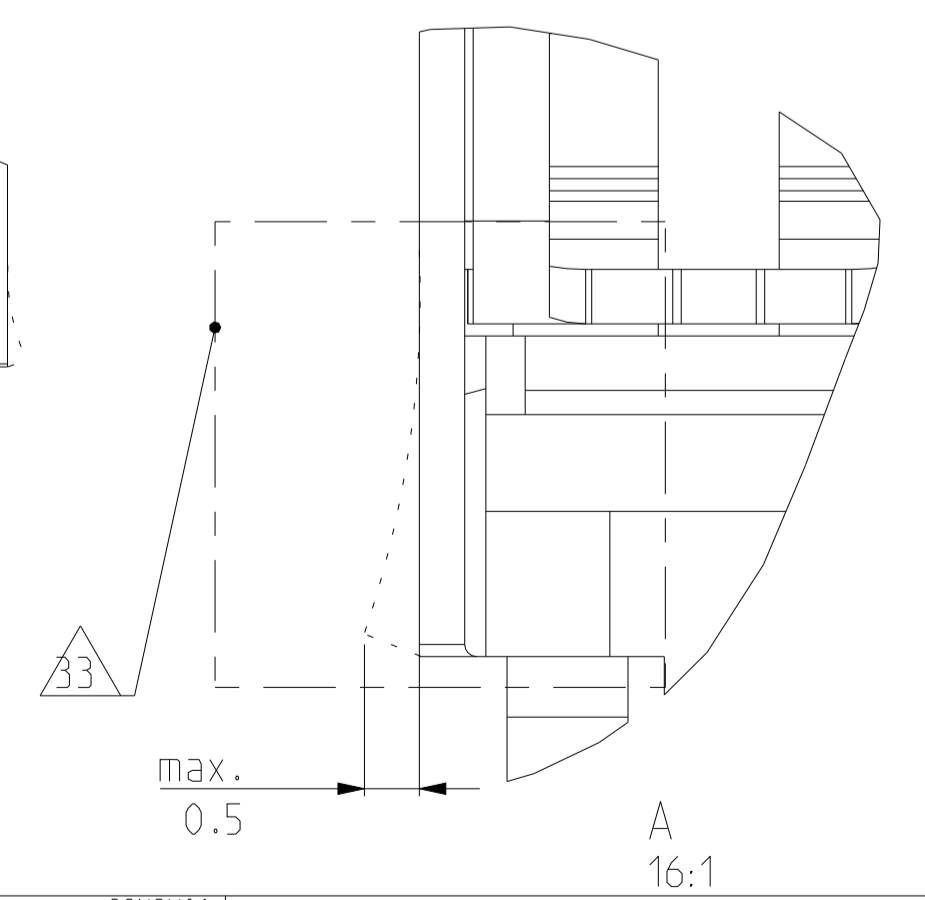
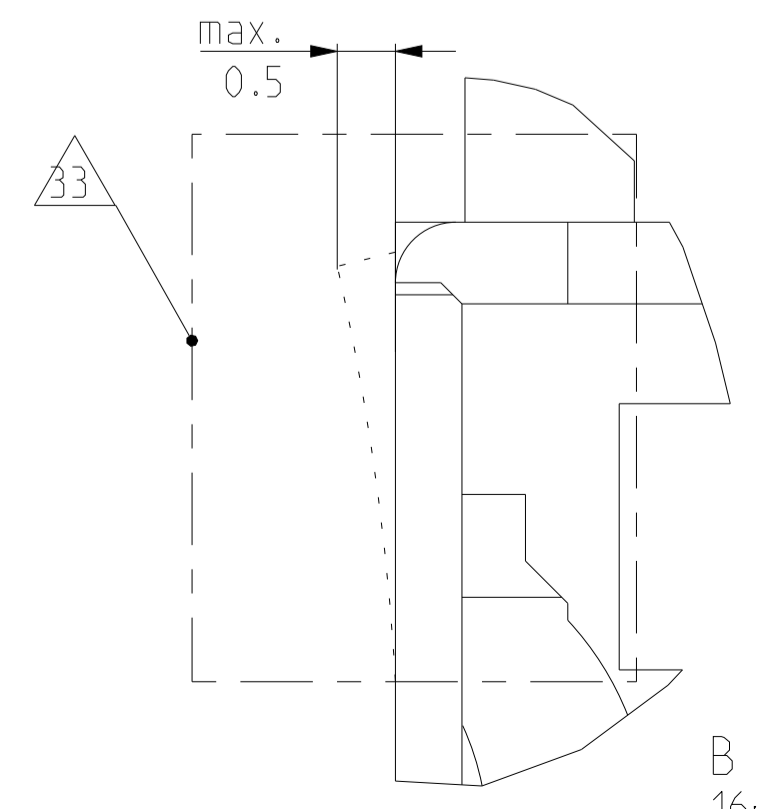
TAB STOP FEATURE, PRESENT ON THE SINGLE POSITION VERSION ONLY



UL94-V0 & GWEPT 750°C NO FLAME $\triangle 39$					
10	NATURAL	1-2395164-0 $\triangle 36$	1-2393854-0 $\triangle 36$	45	49.95
9		0-2395164-9 $\triangle 36$	0-2393854-9 $\triangle 36$	40	44.95
8		0-2395164-8 $\triangle 36$	0-2393854-8 $\triangle 36$	35	39.95
7		0-2395164-7 $\triangle 36$	0-2393854-7 $\triangle 36$	30	34.95
6		0-2395164-6 $\triangle 36$	0-2393854-6 $\triangle 36$	25	29.95
5		0-2395164-5 $\triangle 36$	0-2393854-5 $\triangle 36$	20	24.95
4		0-2395164-4 $\triangle 36$	0-2393854-4 $\triangle 36$	15	19.95
3		0-2395164-3 $\triangle 36$	0-2393854-3 $\triangle 36$	10	14.95
2 $\triangle 19$		0-2395164-2	0-2393854-2	5	9.95
1		0-2395164-1 $\triangle 36$	0-2393854-1 $\triangle 36$	-	4.95
POS.	COLOR	$\triangle 8$ HOUSING P/N	$\triangle 9$ $\triangle 12$ ASSY P/N	DIM "X"	DIM "Y"

UL94-V0 & GWEPT 750°C no flame $\triangle 39$					
3	natural	2-1534071-3	2366308-3 $\triangle 40$	10	14.5
POS.	COLOR	HOUSING P/N $\triangle 8$	ASSY P/N $\triangle 9$ $\triangle 12$	DIM "X"	DIM "Y"

NOTES & TABLES, SEE SHEET 1  
 Notizen & Tabellen, siehe Blatt 1



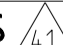


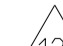
THIS DRAWING IS A CONTROLLED DOCUMENT.  
 DIESER ZEICHNUNGSDRUCK WIRD DURCH KEIN WECHSELN UNTERSCHIEDLICH.  
 ANSCHAUEN, ZU DEN TECHNISCHEN DATEN UND ÜBERWACHEN.  
 DEN AUSLIEFERUNGSSTATUS ANZUZEIGEN UND DEN ZUSTAND DER AUFBEWAHRUNG.


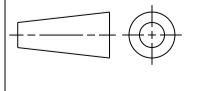
DIMENSIONS MASSENEHREN MM	TOLERANCES UNLESS OTHERWISE SPECIFIED: ALLE DIMENSIONEN	DWN M. Ottenloch	28NOV01
PLC ±0.2	OTHERWISE SPECIFIED:	CHK G. Bartosch	28NOV01
PLC ±0.1	OTHERWISE SPECIFIED:	APVD In. Klenner	28NOV01
PLC ±0.1	OTHERWISE SPECIFIED:	NAME	1-10pos. AMP multifitting Mark II
PLC ±0.1	OTHERWISE SPECIFIED:	PRODUCT SPEC	ASSEMBLY PITCH 5mm
PLC ±0.1	OTHERWISE SPECIFIED:	PRODUCT SPEC	TAB VERSION
PLC ±0.1	OTHERWISE SPECIFIED:	APPLICATION SPEC	
PLC ±0.1	OTHERWISE SPECIFIED:	VERARBEITUNGSSPEZ	
PLC ±0.1	OTHERWISE SPECIFIED:	ANLEGE/SCHNEID	
PLC ±0.1	OTHERWISE SPECIFIED:	FINISCHBEREICHE/FARBE	
PLC ±0.1	OTHERWISE SPECIFIED:	WEIGHT GEWICHT	
PLC ±0.1	OTHERWISE SPECIFIED:	CUSTOMER DRAWING	

SCALE: MASSSTAB 4:1  
 SHEET: BLATT 2 OF 3  
 DRAWING NO: 1534072  
 REV: K25

THIS DRAWING IS UNPUBLISHED  
 VERBODEN DE UNVERPUBLICEERTE TEICHNUNG  
 © COPYRIGHT 2022 TE Connectivity. All Rights Reserved.  
 RELEASED FOR PUBLICATION  
 FÜR PUBLIZIERUNG  
 20-  
 MATED WITH  
 PASSEND ZU

LOC	DIST	REVISIONS ÄNDERUNGEN					
		P	LTN	DESCRIPTION BESCHREIBUNG	DATE	DWN	APVD
A1	-	-	-	SEE SHEET 1	-	-	-

UL94-V0, GWIT AND GWFI ACCORDING TO IEC 60335-1, WITH SILVER PLATED TERMINALS 					
4	NATURAL	2407710-4	2407711-4	15	19.95
3		1-2407710-3	1-2407711-3	10	14.95
3		2407710-3	2407711-3	10	14.95
2		2407710-2	2407711-2	5	9.95
1		2407710-1	2407711-1	-	4.95
POS.	COLOR	HOUSING P/N 	 ASSY-NO. 	DIM "X"	DIM "Y"

THIS DRAWING IS A CONTROLLED DOCUMENT. <small>DESES ZEICHNUNGSDOKUMENT WIRD DURCH AMP HELDENTWISSEL KONTROLLIERT.        ANSCHLIESSENDE TECHNISCHE VERÄNDERUNGEN SIND VERBODEN.        DEN KUNDEN ZUFÜHRUNGSÄNDERUNGEN SIND BEI DER ANFRAGE ZU BERÜCKSICHTIGEN.</small>		DWN M. Ofenloch 03MAR2022	
DIMENSIONS: MASSENHEITEN: mm		CHK G. Bartosch 28NOV01	
	TOLERANCES UNLESS OTHERWISE SPECIFIED: ALL DIMENSIONS	APVD Th. Klenner 28NOV01	NAME 1-10pos. AMP multifitting Mark II ASSEMBLY PITCH 5mm TAB VERSION
	MATERIAL	PRODUCT SPEC 108-10652	SIZE A1
CUSTOMER DRAWING		APPLICATION SPEC 108-10208-1	CAGE CODE 00779
		WEIGHT -	DRAWING NO. 1534072
		RESTRICTED TO NUR FÜR	SCALE 4:1
			SHEET 3
			OF 3
			REV K25