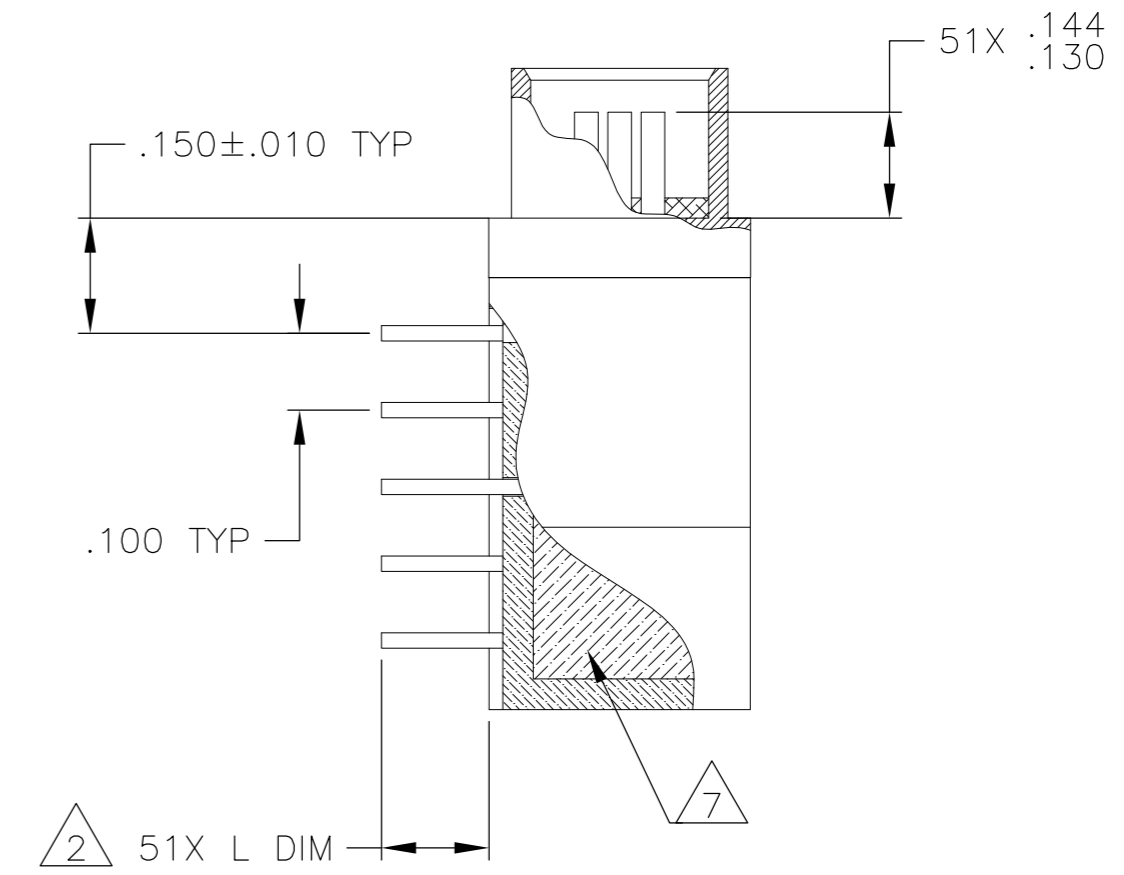
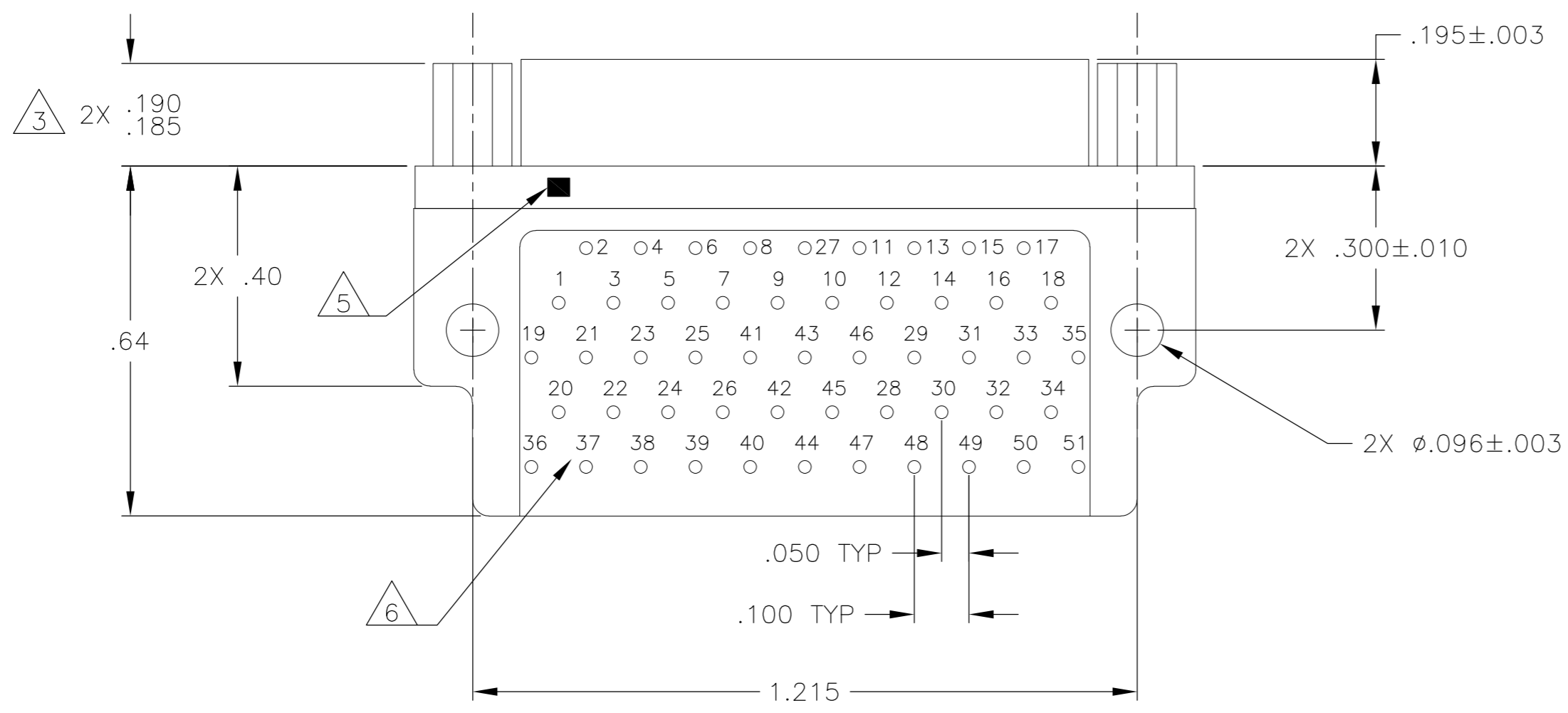
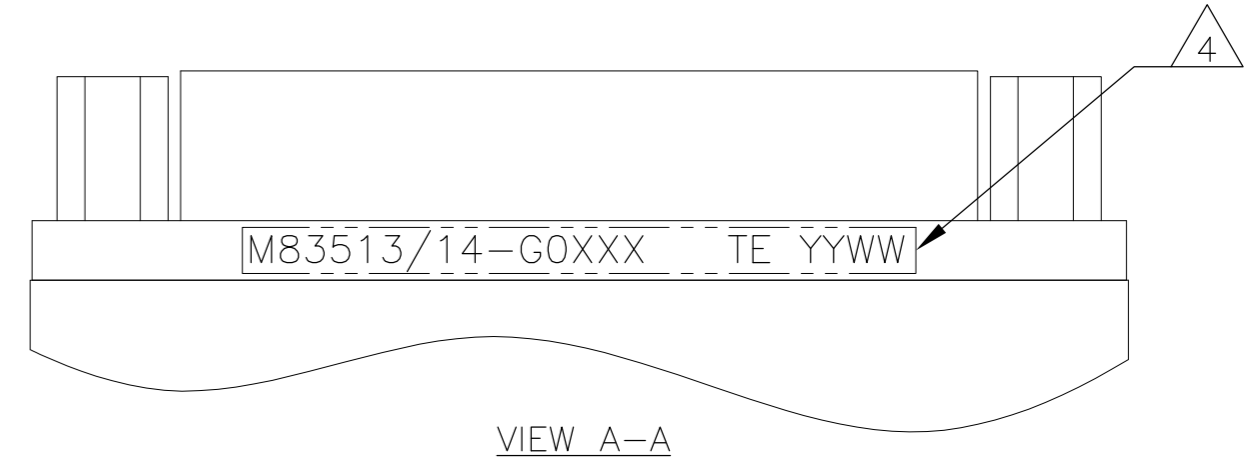
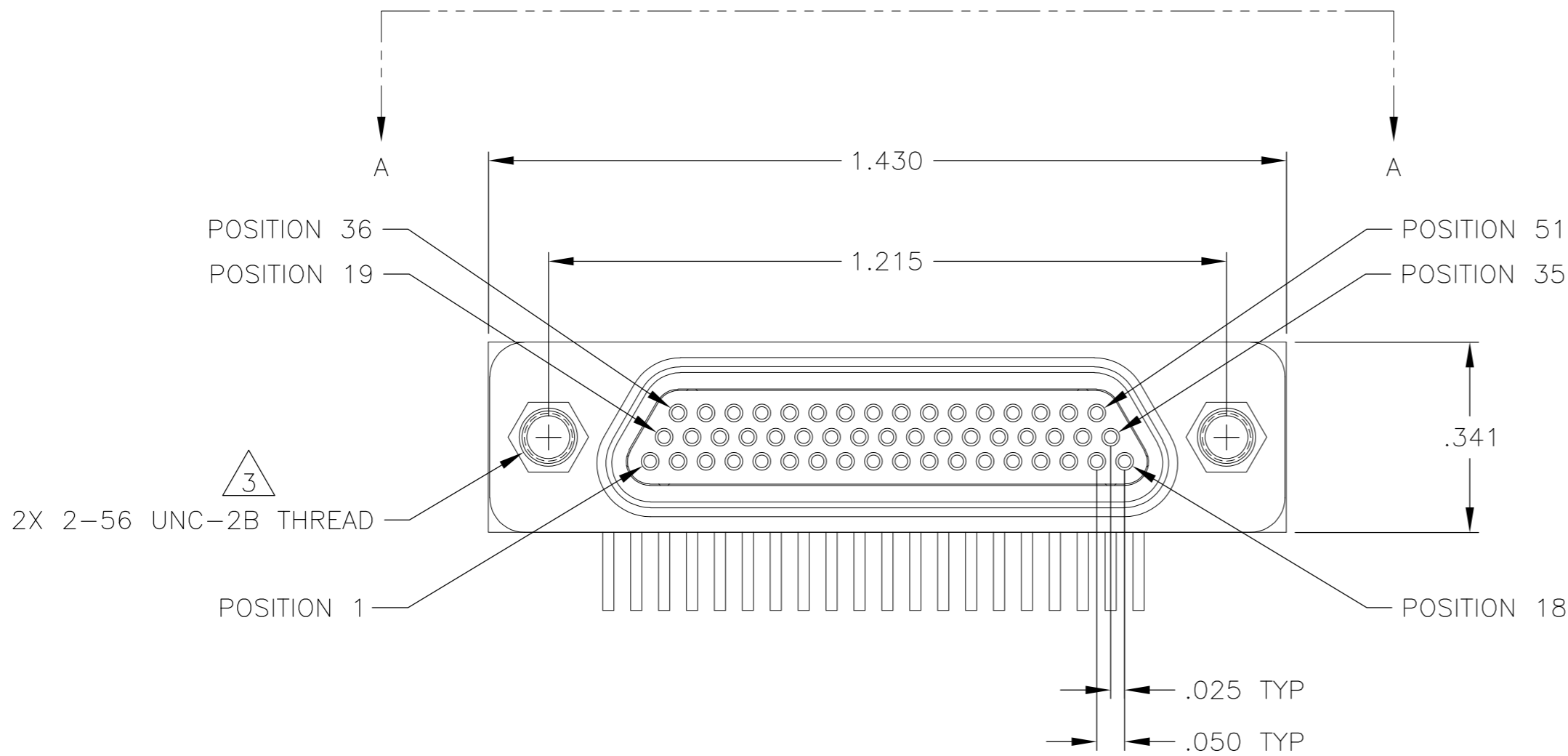


THIS DRAWING IS UNPUBLISHED. RELEASED FOR PUBLICATION  
 © COPYRIGHT - By - ALL RIGHTS RESERVED.

LOC		DIST		REVISIONS			
P	LTR	DESCRIPTION		DATE	DWN	APVD	
	A	INITIAL RELEASE		2 JUL 12	CAS	MKS	



JACKPOSTS OMITTED FOR CLARITY

SEE SHEET 2 FOR NOTES

THIS DRAWING IS A CONTROLLED DOCUMENT.		DWN C SCHOLL	2 JUL 12	TE Connectivity	
DIMENSIONS: INCHES		CHK -	-		
TOLERANCES UNLESS OTHERWISE SPECIFIED:		APVD M STORRY	2 JUL 12	NAME	
0 PLC ± -		PRODUCT SPEC		RECEPTACLE ASSEMBLY, MCKS, RT1 RIGHT	
1 PLC ± -		APPLICATION SPEC		ANGLE, PCB MOUNT, 3 ROW,	
2 PLC ± .010		-		SIZE 51, PER MIL-DTL-83513/14	
3 PLC ± .005		-		SIZE	CAGE CODE
4 PLC ± -		-		A2	98278
ANGLES ± 1°		-		DRAWING NO	RESTRICTED TO
FINISH		WEIGHT		C=1532264	-
SEE NOTES		CUSTOMER DRAWING		SCALE	SHEET
-		-		4:1	1 OF 2
-		-		REV	A

THIS DRAWING IS UNPUBLISHED. RELEASED FOR PUBLICATION  
 © COPYRIGHT - By - ALL RIGHTS RESERVED.

LOC		DIST		REVISIONS			
P	LTR	DESCRIPTION	DATE	DWN	APVD		
-	-	SEE SHEET 1	-	-	-		

TE PART NUMBER	MIL-DTL-83513 PIN	MCKS DESCRIPTION	SHELL FINISH $\triangle 1$	HARDWARE $\triangle 3$	L DIM $\pm .015$
1532264-1	M83513/14-G01CN	MCKS-C2-B-51SRT1	CADMIUM	NONE	.109
1532264-2	M83513/14-G01CP	MCKS-C2-P-51SRT1	CADMIUM	JACKPOSTS	.109
1532264-3	M83513/14-G01NN	MCKS-N1-B-51SRT1	NICKEL	NONE	.109
1532264-4	M83513/14-G01NP	MCKS-N1-P-51SRT1	NICKEL	JACKPOSTS	.109
1532264-5	M83513/14-G02CN	MCKS-C2-B-51SRT1A	CADMIUM	NONE	.140
1532264-6	M83513/14-G02CP	MCKS-C2-P-51SRT1A	CADMIUM	JACKPOSTS	.140
1532264-7	M83513/14-G02NN	MCKS-N1-B-51SRT1A	NICKEL	NONE	.140
1532264-8	M83513/14-G02NP	MCKS-N1-P-51SRT1A	NICKEL	JACKPOSTS	.140
1532264-9	M83513/14-G03CN	MCKS-C2-B-51SRT1B	CADMIUM	NONE	.172
1-1532264-0	M83513/14-G03CP	MCKS-C2-P-51SRT1B	CADMIUM	JACKPOSTS	.172
1-1532264-1	M83513/14-G03NN	MCKS-N1-B-51SRT1B	NICKEL	NONE	.172
1-1532264-2	M83513/14-G03NP	MCKS-N1-P-51SRT1B	NICKEL	JACKPOSTS	.172

$\triangle 1$  SHELL MATERIAL: 6061-T6 ALUMINUM  
 FINISH OPTIONS:  
 ELECTROLESS NICKEL PLATED PER SAE-AMS-C-26074 OR SAE AMS 2404 OR CADMIUM PLATED PER SAE-AMS-QQ-P-416 WITH YELLOW CHROMATE  
 INSULATOR: LIQUID CRYSTAL POLYMER (LCP)  
 INTERFACIAL SEAL: FLUOROSILICONE PER SAE-AMS-R-25988  
 HARDWARE: 300 SERIES STAINLESS STEEL  
 TB BOX: POLYPHENYLENE SULFIDE (PPS) AND EPOXY POTTING

$\triangle 2$  TERMINATION: 24AWG GOLD PLATED COPPER WIRE, Sn63Pb37 SOLDER DIPPED UP TO MOUNTING SURFACE AT A MINIMUM

$\triangle 3$  JACKPOST HARDWARE SHALL BE PERMANENTLY INSTALLED AS SHOWN WHEN REQUIRED BY THE MIL PIN. JACKPOST DIMENSIONS AND REQUIREMENTS ARE DEFINED IN MIL-DTL-83513/5.

$\triangle 4$  CONNECTOR SHALL BE MARKED IN ACCORDANCE WITH METHOD I OF MIL-STD-1285. MARKING SHALL CONTAIN THE MILITARY PIN, CAGE CODE (OR TE), AND DATE CODE. EXAMPLE: M83513/14-GOXXX TE YYWW (WHERE XXX IS PART OF THE PIN SHOWN IN THE "MIL-DTL-83513 PIN" COLUMN OF THE PART NUMBER TABLE, AND YYWW IS THE DATE CODE). THE MARKING MUST BE PRINTED ON THE FLANGE. TEXT HEIGHT SHALL BE .035 INCH MINIMUM.

$\triangle 5$  POSITION 1 SHALL BE INDICATED BY AN IDENTIFIABLE MARK, LOCATED APPROXIMATELY AS SHOWN ON THE POSITION 1 SIDE OF THE CONNECTOR FLANGE. THIS MARK SHALL BE INCLUDED AS PART OF THE PART MARKING INFORMATION.

$\triangle 6$  TERMINAL IDENTIFICATION NUMBERS AS SHOWN DO NOT ACTUALLY APPEAR ON THE PART (FOR IDENTIFICATION ONLY)

$\triangle 7$  EPOXY ENCAPSULATION

8 ALL REQUIREMENTS CONFORM TO MIL-DTL-83513/14. SEE MIL-SPEC FOR DETAILED INTERFACE DIMENSIONS AND SUGGESTED PCB LAYOUTS

THIS DRAWING IS A CONTROLLED DOCUMENT.		DWN C SCHOLL 2 JUL 12	TE Connectivity	
DIMENSIONS: INCHES	TOLERANCES UNLESS OTHERWISE SPECIFIED:	CHK -	APVD M STORRY 2 JUL 12	NAME RECEPTACLE ASSEMBLY, MCKS, RT1 RIGHT ANGLE, PCB MOUNT, 3 ROW, SIZE 51, PER MIL-DTL-83513/14
	0 PLC $\pm$ -	PRODUCT SPEC	SIZE	RESTRICTED TO
	1 PLC $\pm$ -	APPLICATION SPEC	CAGE CODE	
MATERIAL	FINISH	WEIGHT	DRAWING NO	
SEE NOTES	SEE NOTES	-	A2 98278	1532264
CUSTOMER DRAWING			SCALE 4:1	SHEET 2 of 2