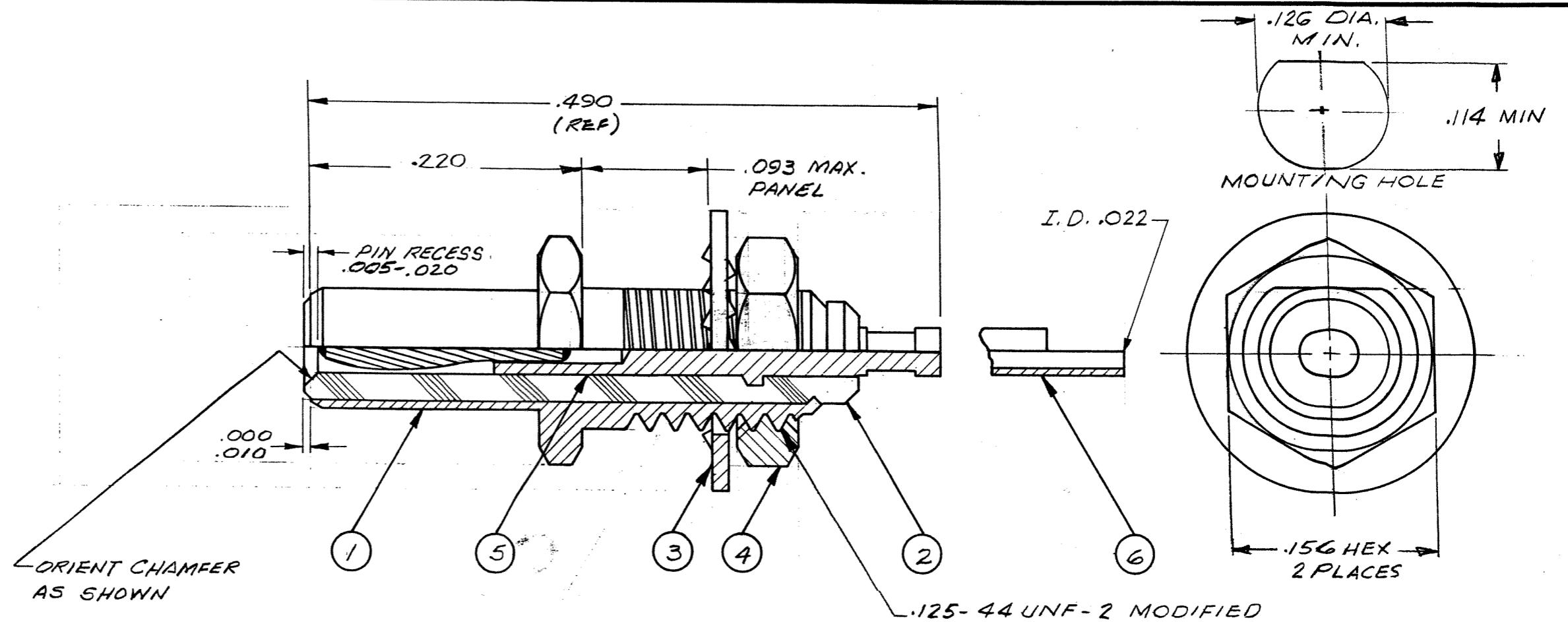


These drawings and specifications are the property of Microdot Inc., are issued in strict confidence and shall not be divulged, be reproduced or copied, or used as the basis for the manufacture or sale of any article without written permission of Microdot Inc.



TE P/N	MICRODOT P/N
1-1532138-8	141-1002-0001
2-1532006-1	141-1002-0002
2-1532006-2	141-1002-0003

1	1		3-1532071-8	SOLDER POT CONTACT	COPPER ALLOY	6
		1	3-1532071-7	TURRET CONTACT	COPPER ALLOY	5
1	1	1	5-1532069-2	NUT	BRASS PER QQ-B-626	4
1	1	1	5-1532069-4	LOCKWASHER	# 425 BRONZE ALLOY	3
1	1	1	8-1532069-0	INSULATOR-RECEPTACLE	TEFLON PER L-P-403	2
1	1	1	7-1532069-9	HOUSING-RECEPTACLE	BRASS PER QQ-B-626	1
-3	-2	-1	PART NO.	NOMENCLATURE	MAT'L & SPEC	ITEM

2. MATES WITH ALL LEPRACON OR 142 SLIDE-ON SERIES PLUGS,  
 1. ALL METALLIC PARTS ARE GOLD PLATED PER MIL-G-45204 TYPE II, GRADE C, CLASS I.

NOTES: UNLESS OTHERWISE SPECIFIED

STANDARD TOLERANCES UNLESS OTHERWISE SPECIFIED DEC. ± .010 FRAC. ± _____ ANGLES ± _____ ECCENTRICITY _____ MAX. T.I.R. _____ HOLE DIA. ± _____ SURFACE ROUGHNESS _____ MICRO INCHES _____ THREADS TO MIL-S-7742 COMMERCIAL TOLERANCES APPLY TO STOCK DIMENSIONS		<b>MALCO</b> A MICRODOT COMPANY, INC. 306 PASADENA AVE., SO. PASADENA, CAL.	
SURFACE TREATMENT NOTED		MATERIAL NOTED	
APP <i>[Signature]</i> APP _____ CHECKED BY _____ DRAWN BY <i>[Signature]</i>		PROD CODE 746 SCALE 10/1 WT _____ DATE 7/14/66	
DRAWING NUMBER 1532150-4		F1	

ASSEMBLY	NO REQ'D	LET	ECO	REVISION DESCRIPTION	BY	DATE	APP
		F1		UPDATE PER ECO-10-0XXXXX		12 AUG 10	MJS
		F		UPDATE REV. 38510		7/25	
		E	28871	ITEM 3 MAT'L WAS: PHOS. BRONZE PER QQ-B-750 LOCKWASHER O.D WAS .220 DIA.		7/14/66	
		D	25232	UPDATE DWG INFORMATIONS		7/14/66	
		C	15730	ADD. NOTE 3		7/13/66	
		B	8373	DIM. 3/16 WAS 5/32		7/6/66	
		A	7075	RELEASE FOR PROO.		7/6/66	

FRONT MOUNT  
 RECEPT-SLIDE-ON  
 141-1002-000X