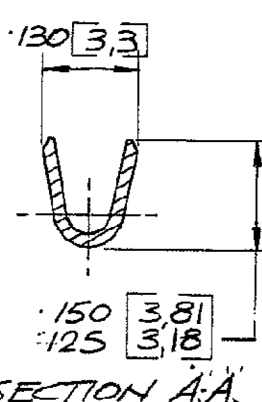
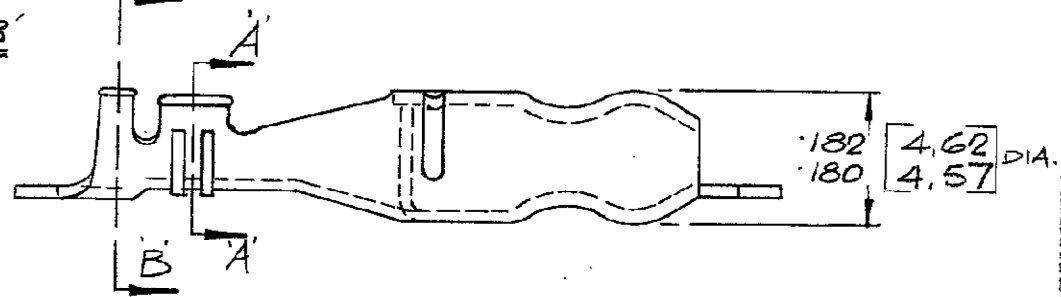
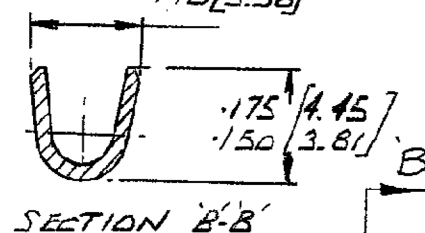
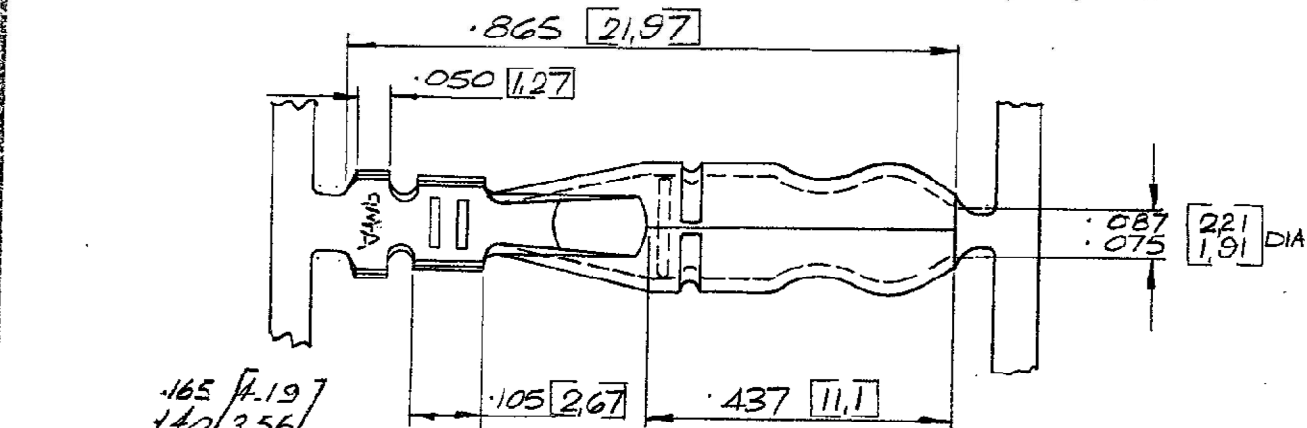


3rd ANGLE (AMERICAN) PROJECTION

DIMENSIONS IN INCHES. DO NOT SCALE PRINT
DIMENSIONS THUS: [] IN MM

NUMBER
C/153209



① OBSOLETE PARTS: OBSOLETE CIS STREAMLINING PER D.RENAUD/D.SINISI
② OBSOLETE PARTS

MATERIAL	PART NO	FINISH	REMARKS
BRASS	② 153209-4	NONE	
SPECIAL BRASS	② 153209-3	NONE	
BRASS	① 153209-2	ELECTRO TIN	REVERSE REELED
BRASS	① 153209-1	PRE TIN	REVERSE REELED
BRASS	153209-2	ELECTRO TIN	
BRASS	② 153209-1	PRE TIN	

20SEP19

REV	REVISION	RECORD	OR	CHK	DATE
D3	REVISED PER ECR-19-012286	PC	TD	20SEP19	
D2	REVISED PER ECR-17-012304	DT	TD	23AUG17	
D1	REVISED PER ECO-09-022178	KK	AEG	22SEP09	
D	-4 ADDED	C.S.		17-12-78	
C	CUT-OUT DELETED	D.C.H.		1/1/76	
B	-3 ADDED	RS		1/1/76	

© AIRCRAFT-MARINE PRODUCTS (OF GREAT BRITAIN) LTD 1971

MATERIAL AND FINISH: **-018 [0.46] THICK STOCK**

WIRE - RANGE - INSULATION: **18-16 [0.51-1.19]**

SCALE: **4:1**

CLASS: **WT-P**

TYPE: **AUTOMATIC**

LOC: **E A** PART NO: **C/153209** REV: **D3**

NAME: **.180 [4.57] DIA SHUR PLUG.**



DE: **P.J. MAGUIRE 24/6/71**
 CHK: **G. DELL 26/10/71**