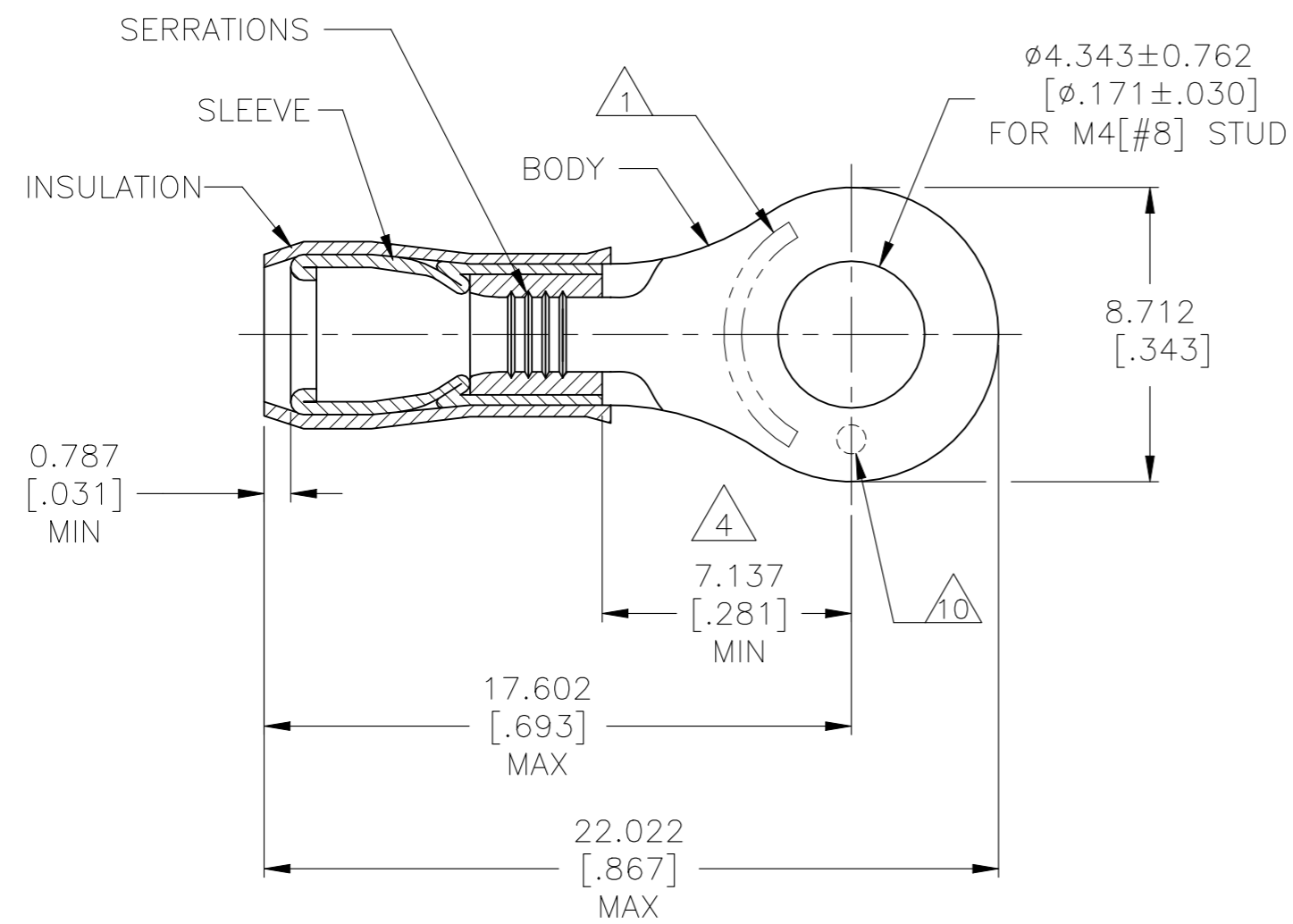


© - TE Connectivity. All Rights Reserved.

REVISIONS				
P	LTR	DESCRIPTION	DATE	APVD
	J	REVISED PER ECR-23-181664	03AUG2023	AP DSC

AMP
WIRE RANGE

14-12 AWG
SOLID OR STRANDED



- 1 STAMP AMP 14-12, APPROX AS SHOWN
- 2 WIRE INSULATION DIAMETER:
 $\phi 2.032 - \phi 3.175$ [$\phi .080 - \phi .125$]
- 3 BODY MATERIAL THK : 0.787 ± 0.051 [$.031 \pm .002$]
- 4 APPLIES FROM EDGE OF METAL WIRE BARREL TO CENTER OF STUD HOLE
- 5 MATERIAL:
BODY & SLEEVE - COPPER PER ASTM B152
INSULATION: NYLON
- 6 FINISH:
BODY & SLEEVE - TIN PLATE 0.00254 [$.000100$]
MIN EXT THK PER ASTM B545
INSULATION: COLOR - WHITE
- 7 NOTE DELETED
- 8 NOTE DELETED
- 9 NOTE DELETED
- 10 DIMPLE STAMP MARK OPTIONAL

1000	LOOSE PIECE	152873
QTY	PACKAGING TYPE	PART NO

AMP INCORPORATED
CUSTOMER SERVICE SYSTEMS

FOR ADDITIONAL PRODUCT INFORMATION OR COPIES OF DRAWINGS AND TECHNICAL DOCUMENTS	PRODUCT INFORMATION CENTER 1-800-522-6752
FOR APPLICATION TOOLING INFORMATION	TOOLING ASSISTANCE CENTER 1-800-722-1111
FOR ORDER ENTRY	1-800-526-5142

MAX RECOMMENDED OPERATING TEMPERATURE:
105°C [221°F]

VOLTAGE RATING:
300 V MAX

WIRE CROSS SECTIONAL AREA RANGE:
 $1.65 - 3.45 \text{mm}^2$ [3260-6800] CMA
SOLID OR STRANDED

THIS DRAWING IS A CONTROLLED DOCUMENT FOR AMP INCORPORATED. IT IS SUBJECT TO CHANGE AND THE CONTROLLING ENGINEERING ORGANIZATION SHOULD BE CONTACTED FOR THE LATEST REVISION

THIS DRAWING IS A CONTROLLED DOCUMENT.

DIMENSIONS: mm [INCHES]	TOLERANCES UNLESS OTHERWISE SPECIFIED:
	0 PLC ± -
	1 PLC ± -
	2 PLC ± -
	3 PLC ± 0.127[.005]
	4 PLC ± -
	ANGLES ± -

MATERIAL 5 FINISH 6

DWN	jr_ruth	23AUG07
CHK	T MICHIELUTTI	23AUG07
APVD	T MICHIELUTTI	23AUG07
PRODUCT SPEC	-	
APPLICATION SPEC	114-2157	
WEIGHT	-	

CUSTOMER DRAWING

TE Connectivity

NAME: TERMINAL, RING TONGUE, PIDG, WIRE SIZE: 14-12 AWG

SIZE	CAGE CODE	DRAWING NO	RESTRICTED TO
A3	00779	C-152873	-

SCALE: 5:1 SHEET: 1 OF 1 REV: J