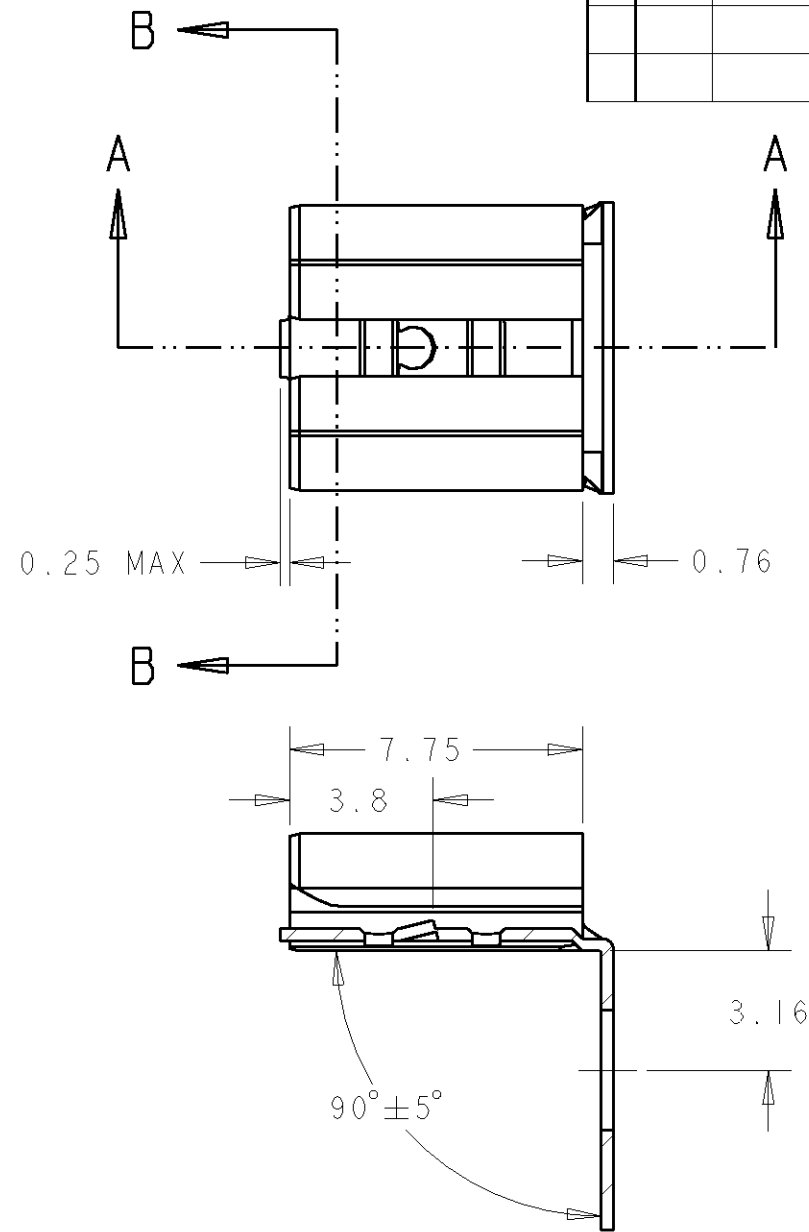
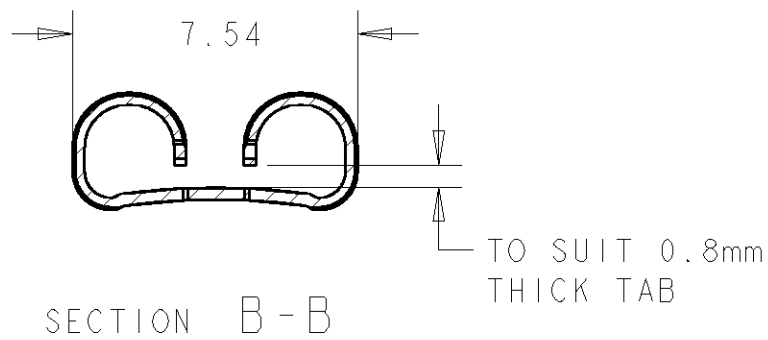
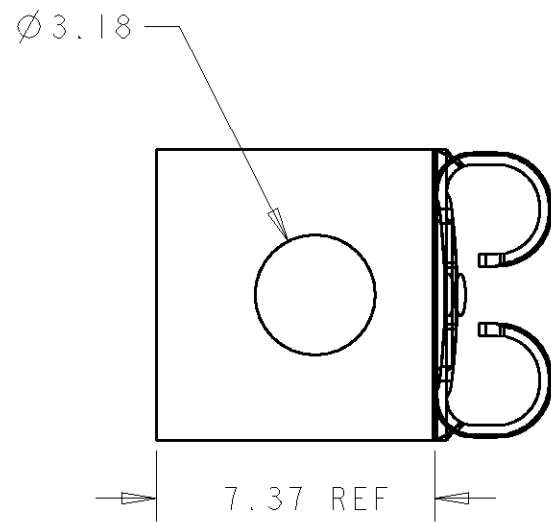


THIS DRAWING IS UNPUBLISHED. RELEASED FOR PUBLICATION 20
 © COPYRIGHT 20 BY TYCO ELECTRONICS CORPORATION. ALL RIGHTS RESERVED.

LOC	DIST	REVISIONS			
P	LTR	DESCRIPTION	DATE	DWN	APVD
B	E	D	ECR-09-002305	03/02/09	MJG JA



NOTES

- 1 MATERIAL: BRASS TEMP H04
- 2 FINISH: ELECTROPLATE TIN 2.5 MICRONS MIN

2	1	152422-2
	1	152422-1
FINISH	MATERIAL	PART NO

<small>THIS DRAWING IS A CONTROLLED DOCUMENT FOR TYCO ELECTRONICS CORPORATION IT IS SUBJECT TO CHANGE AND THE CONTROLLING ENGINEERING ORGANIZATION SHOULD BE CONTACTED FOR THE LATEST REVISION.</small>		DWN M. GREENER 03FEB2009	Tyco Electronics UK Ltd. Bideford, North Devon, EX39 4HE	
DIMENSIONS: mm		CHK J. AMBROSE 03FEB2009	NAME FASTON TAB ADAPTOR	
TOLERANCES UNLESS OTHERWISE SPECIFIED: 0 PLC ±0.5 1 PLC ±0.5 2 PLC ±0.5 3 PLC ±0.5 4 PLC ±0.5 ANGLES ±0.5		APVD J. AMBROSE 03FEB2009	-	
MATERIAL SEE TABLE		PRODUCT SPEC	-	
FINISH SEE TABLE		APPLICATION SPEC	-	
		WEIGHT	-	
		CUSTOMER DRAWING	SIZE A3	CAGE CODE 00779
			DRAWING NO C-152422	RESTRICTED TO -
			SCALE 4:1	SHEET 1 OF 1
				REV D