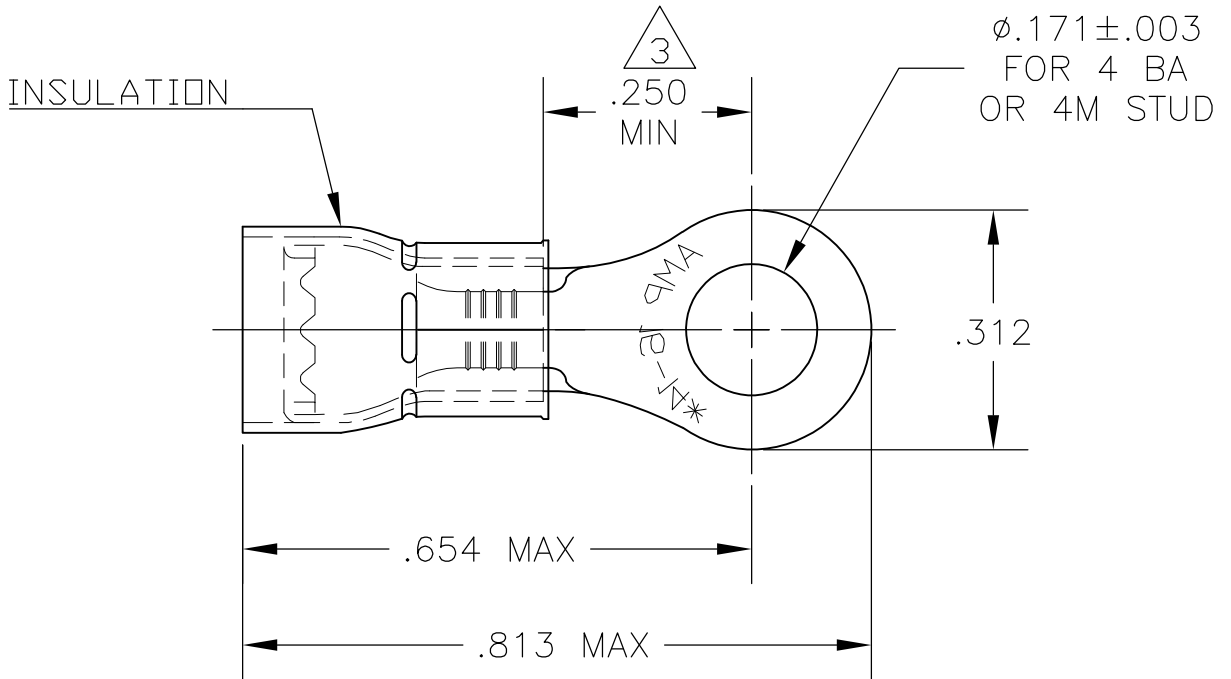


| | | | | | | | |
|-----|------|-----------|-----|-------------------|---------|-----|------|
| LOC | DIST | REVISIONS | | | | | |
| G | 02 | P | LTR | DESCRIPTION | DATE | DWN | APVD |
| | | | B1 | REV ECR-10-004009 | 24FEB10 | JR | TM |

1 FOR .115-.170 WIRE INSULATION DIA

2 TONGUE MATERIAL THICKNESS .031

3 APPLIES FROM EDGE OF METAL WIRE BBL TO THE CENTER OF STUD HOLE.



BODY: COPPER, ANNEALED, TIN PLATED
 SLEEVE: COPPER, ANNEALED, TIN PLATED
 INSULATION: NYLON, COLOR-BLACK

151758

MATERIAL & FINISH

PART NO

THIS DRAWING IS UNPUBLISHED.

ALL INTERNATIONAL RIGHTS RESERVED.
 BY TYCO ELECTRONICS CORPORATION.

DIMENSIONS:
 INCHES

DWN JR RUTH 24FEB10

MATERIAL - FINISH -

FINISH -

CHK T MICHIELUTTI 24FEB10

Tyco Electronics Tyco Electronics Corporation
 Harrisburg, PA 17105-3608

APVD T MICHIELUTTI 24FEB10

PRODUCT SPEC -

NAME RING TONGUE, PIDG,
 WIRE SIZE: 16-14

APPLICATION SPEC -

| | | | |
|------|-----------|------------|---------------|
| SIZE | CAGE CODE | DRAWING NO | RESTRICTED TO |
| A4 | 00779 | C-151758 | - |

WEIGHT -

CUSTOMER DRAWING

SCALE 4:1 SHEET 1 OF 1 REV B1

