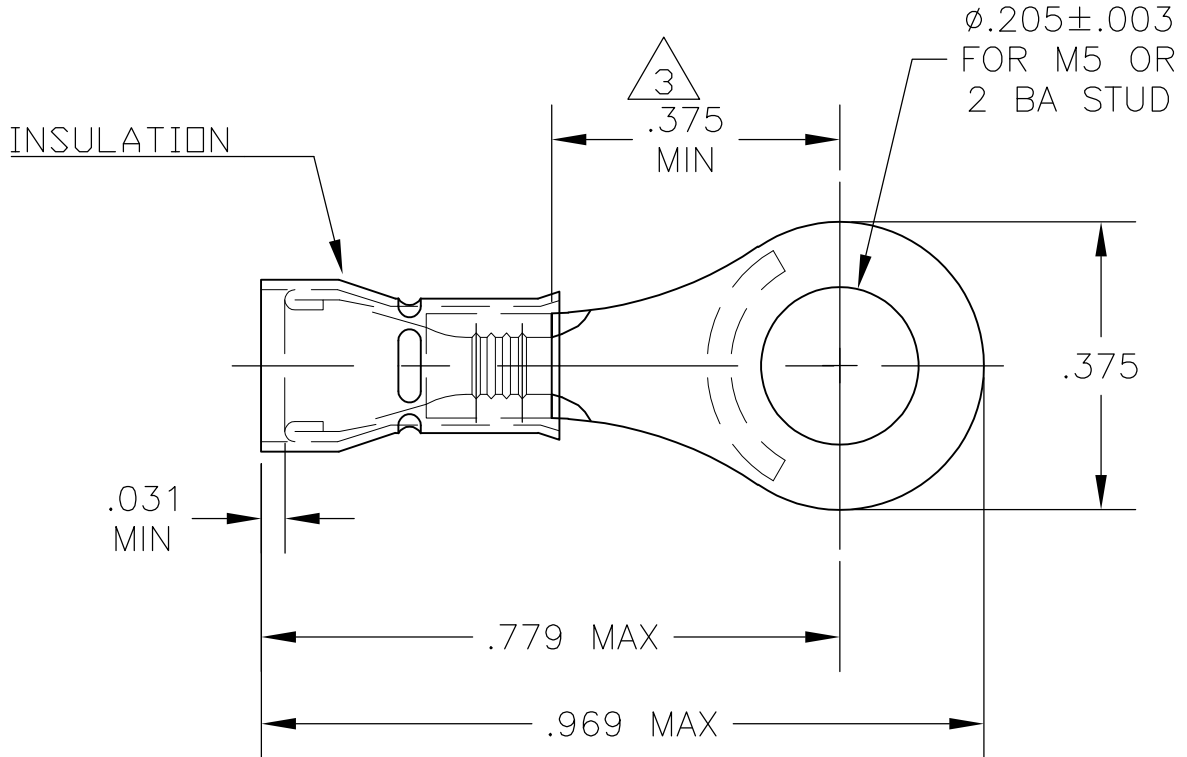


LOC	DIST	REVISIONS					
G	02	P	LTR	DESCRIPTION	DATE	DWN	APVD
			A1	REV ECR-10-004009	24FEB10	JR	TM

1 FOR .105-.140 WIRE INSULATION DIA

2 TONGUE MATERIAL THICKNESS .033

3 APPLIES FROM EDGE OF METAL WIRE BBL TO THE CENTER OF STUD HOLE.



BODY: COPPER, ANNEALED, TIN PLATED  
 SLEEVE: COPPER, ANNEALED, TIN PLATED  
 INSULATION: NYLON, COLOR-BLACK

151733

MATERIAL & FINISH

PART NO

THIS DRAWING IS UNPUBLISHED.

ALL INTERNATIONAL RIGHTS RESERVED.  
 BY TYCO ELECTRONICS CORPORATION.

DIMENSIONS:  
 INCHES

DWN JR RUTH 24FEB10

MATERIAL - FINISH -

FINISH -

TOLERANCES UNLESS OTHERWISE SPECIFIED:

CHK T MICHIELUTTI 24FEB10

**Tyco Electronics** Tyco Electronics Corporation  
 Harrisburg, PA 17105-3608

APVD T MICHIELUTTI 24FEB10

PRODUCT SPEC -

NAME RING TONGUE, PIDG,  
 WIRE SIZE: 22-16

APPLICATION SPEC -

WEIGHT -

SIZE	CAGE CODE	DRAWING NO	RESTRICTED TO
A4	00779	C-151733	-

CUSTOMER DRAWING

SCALE 4:1 SHEET 1 OF 1 REV A1

