

THIS DRAWING IS UNPUBLISHED.

RELEASED FOR PUBLICATION

20

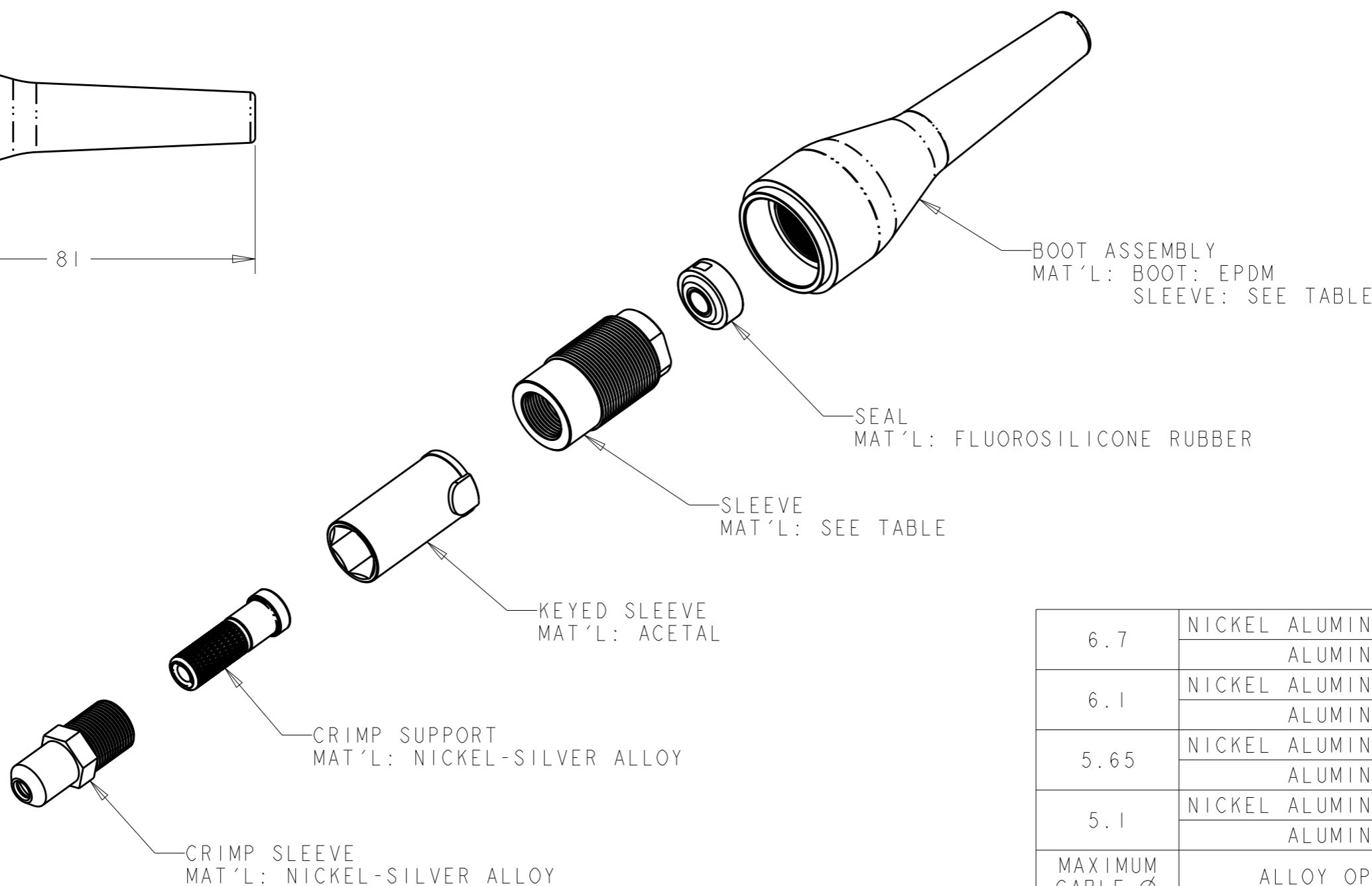
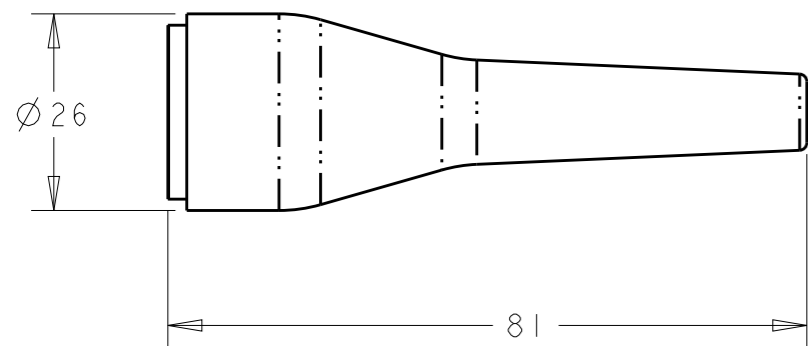
© COPYRIGHT 20 BY -

ALL RIGHTS RESERVED.

REVISIONS

P	LTR	DESCRIPTION	DATE	DWN	APVD
	H	ECR-15-008603	23JUN2015	KG	DW

- 1. PACKAGED LOOSE PIECE.
- 2. DIMENSIONS ARE FOR REFERENCE ONLY.



6.7	NICKEL ALUMINUM BRONZE	1515940-8
	ALUMINUM	1515940-7
6.1	NICKEL ALUMINUM BRONZE	1515940-6
	ALUMINUM	1515940-5
5.65	NICKEL ALUMINUM BRONZE	1515940-4
	ALUMINUM	1515940-3
5.1	NICKEL ALUMINUM BRONZE	1515940-2
	ALUMINUM	1515940-1
MAXIMUM CABLE $\varnothing$	ALLOY OPTION	PART NUMBER

THIS DRAWING IS A CONTROLLED DOCUMENT.

DWN 26 JUL 2004  
K. GLATFELTER

CHK 10 AUG 2004  
D. WERTMAN

APVD 10 AUG 2004  
D. WERTMAN

PRODUCT SPEC

APPLICATION SPEC

WEIGHT

Customer Drawing



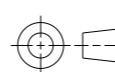
NAME  
CABLE ADAPTER KIT, PLUG,  
PRO BEAM SR.

SIZE CAGE CODE DRAWING NO RESTRICTED TO

A300779 C-1515940

SCALE 1:1 SHEET 1 OF 1 REV H

DIMENSIONS:  
mm



TOLERANCES UNLESS OTHERWISE SPECIFIED:

0 PLC	±-
1 PLC	±-
2 PLC	±-
3 PLC	±-
4 PLC	±-
ANGLES	±-

MATERIAL AS LISTED  
FINISH HARD ANODIZE (ALUM-ONLY)