

4

3

2

1

THIS DRAWING IS UNPUBLISHED.

RELEASED FOR PUBLICATION

20

© COPYRIGHT 20 BY TYCO ELECTRONICS CORPORATION. ALL INTERNATIONAL RIGHTS RESERVED.

LOC CE DIST 16

REVISIONS

P	LTR	DESCRIPTION	DATE	DWN	APVD
	C	REVISE PER 0A00-0098-05	18MAR05	KG	DW
	C1	ECR-09-026550	07DEC2009	KG	DW
	D	ECR-19-008989	17JUN2019	TS	DW

GRIP RING
MAT'L: THERMOPLASTIC

47

CAP
MAT'L: THERMOPLASTIC

Ø 39

PLUG
MAT'L: THERMOPLASTIC

TETHER
MAT'L: PLASTICOATED STEEL WIRE

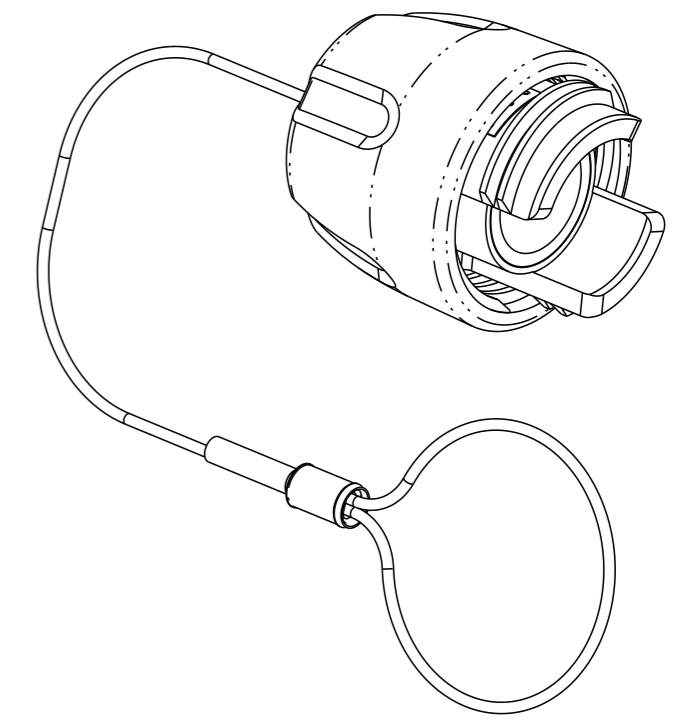
170

SHRINK TUBE
MAT'L: POLYOLEFIN

PARALLEL SPLICE
MAT'L: ALUMINUM ALLOY

1. DIMENSIONS ARE FOR REFERENCE ONLY.

2 DIMENSIONED TO CENTER OF PARALLEL SPLICE.



SCALE 1:1

Ø 36

1515769-1

PART NUMBER

<small>THIS DRAWING IS A CONTROLLED DOCUMENT FOR TYCO ELECTRONICS CORPORATION IT IS SUBJECT TO CHANGE AND THE CONTROLLING ENGINEERING ORGANIZATION SHOULD BE CONTACTED FOR THE LATEST REVISION.</small>		DWN 17JUN2003 K. GLATFELTER CHK 20JUN2003 D. WERTMAN APVD 07JUL2003 D. WERTMAN		Tyco Electronics Harrisburg, PA 17105-3608	
DIMENSIONS: mm		TOLERANCES UNLESS OTHERWISE SPECIFIED: 0 PLC ±. 1 PLC ±. 2 PLC ±. 3 PLC ±. 4 PLC ±. ANGLES ±. FINISH -		NAME PROTECTIVE CAP ASS'Y, PRO BEAM SR., BLKHD, SQ FLNG & FRONT MOUNT D-HOLE	
MATERIAL AS LISTED		PRODUCT SPEC - APPLICATION SPEC - WEIGHT -		SIZE A3	
		CUSTOMER DRAWING		SCALE 2:1 SHEET 1 OF 1 REV D	