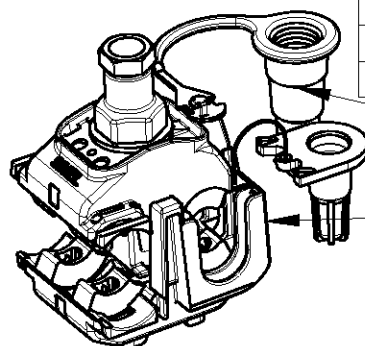


LOC		DIST		REVISIONS			
P	LTR REV	DESCRIPTION MODIFICATIONS		DATE	DWN DESS.	APVD APP.	
FH	2						
		O		CREATION	30JUN2003	CA JT	
		A		EQ00-0407-03	05DEC2003	CA JT	
		B		AJOUT -6 -7	28APRIL05	CA JT	
		C		MODIF TRAITEMENT	22MAI07	FB DM	



Version 2 caps
P2X95-2CE

BOUCHONS
(élastomère)
END CAPS
(elastomere)

E.L.C.F.
(zamak)
SHEAR HEAD ELEMENT
(zamak)

CORPS SUPERIEUR
(mat. plast.)
UPPER BODY
(plastic)

RONDELLE
(acier protégé)
WASHER
(protected steel)

GRAISSE
GREASE

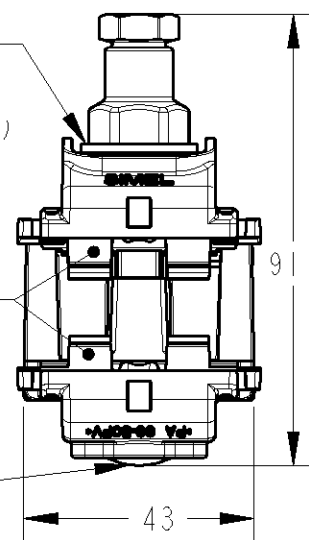
JOINT ISOLANT
(élastomère)
INSULATED JOINT
(elastomere)

CORPS INFÉRIEUR
(mat. plast.)
LOWER BODY
(plastic)

LAME DE CONTACT
(voir tableau)
CONNECTING BRIDGE
(see table)

BOULON
(acier protégé)
BOLT
(protected steel)

52



91

43

REFERENCE	PN	CODE	CAPACITES PRINCIPAL CAPACITIES MAIN mm2	CAPACITES DERIVE CAPACITIES TAP mm2	Matière lame Bridge material	MASSE WEIGHT	COTE A DIMENSION A	COUPLE DE RUPTURE BREAKING SHEAR HEAD TORQUE
P2X95	1510619-1	028008	16 to 95	4 to 35 (50)	Alu alloy	113,5g	86mm	11Nm
P2X150	1510619-2	028013	50 to 150	6 to 35 (50)	Alu alloy	116,5g	91mm	11Nm
P2X95U	1510619-3	028009	16 to 95	4 to 35 (50)	Tinned Copper	135g	86mm	11Nm
P2X95-2CE	1510619-4	030538	16 to 95	4 to 35 (50)	Alu alloy	123g	86mm	11Nm
P2X95U Allemagne	1510619-5	030867	16 to 95	4 to 35	Tinned Copper	135g	86mm	11Nm
P2X95 IPC-L	1510619-6		16 to 95	4 to 35 (50)	Alu alloy	123,5g	86mm	11Nm
P2X95 MP	1510619-7		16 to 95	4 to 35 (50)	Alu alloy	113,5g	86mm	11Nm

MARQUAGE: LOGO, REFERENCE, CAPACITES, LOT
 MARKING: LOGO, REFERENCE, CAPACITIES, DATE

TOLERANCES UNLESS OTHERWISE SPECIFIED
 TOLERANCES NON SPECIFIEES: -

DIMENSIONS: mm

TOLERANCES UNLESS OTHERWISE SPECIFIED
 TOLERANCES NON SPECIFIEES (SUIV. NB DE DECIMALES):

0	PLC / DEC: ±0
1	PLC / DEC: ±0
2	PLC / DEC: ±0
3	PLC / DEC: ±0
4	PLC / DEC: ±0

ANGLES ±

DWN / DESSINE ANDRE	05DEC2003
CHK / VERIFIE C. TISSE	-
APVD / APPROUVE PORCHERAY	-
PRODUCT SPEC SPEC. PRODUIT	-
APPLICATION SPEC SPEC. APPLICATION	-
WEIGHT MASSE APPROX.	-

MATERIAL MATIERE	-	FINISH FINITION	-
		SIMEL	
		21220 Gevrey-Chambertin, FRANCE	
NAME TITRE		P2X95 / P2X150	
SIZE FORMAT	CAGE CODE	DRAWING NO	RESTRICTED TO RESERVE A
A4	00779	1510619	-

CUSTOMER DRAWING / PLAN CLIENT UNIQUEMENT POUR REFERENCE SCALE ECHELLE 1:2 SHEET FEUILLE 1 OF DE 1 REV C