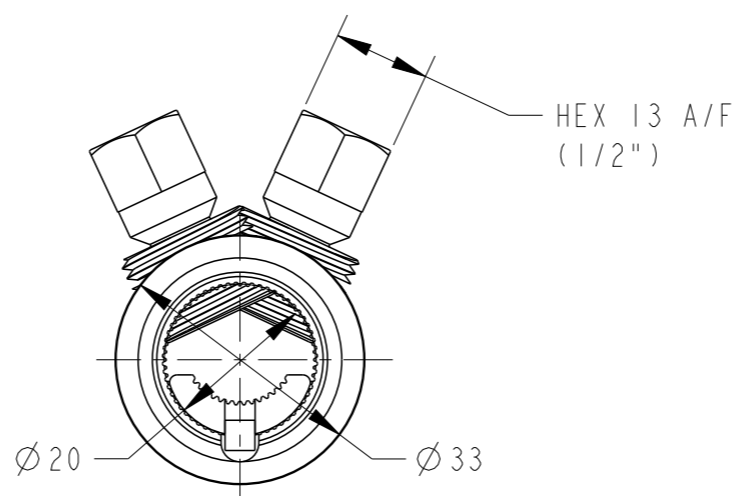
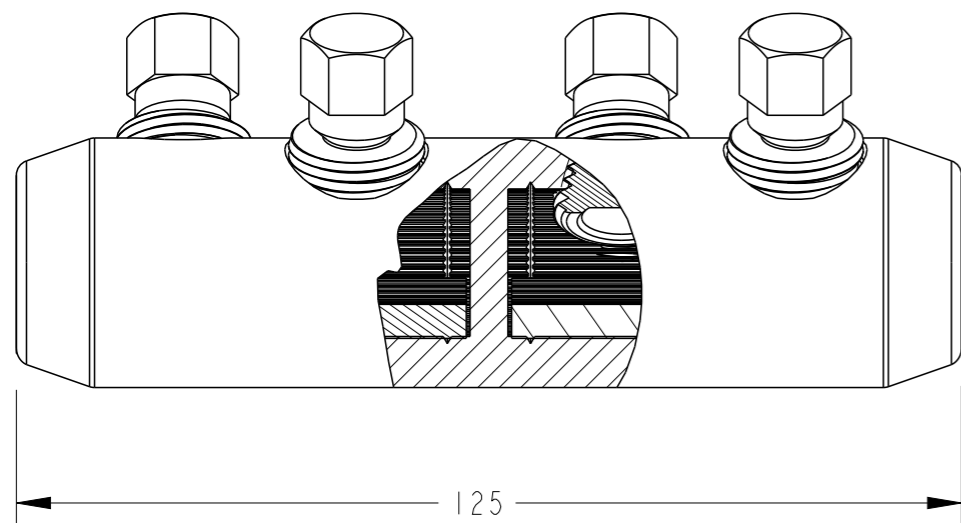


LOC
FH DIST
2

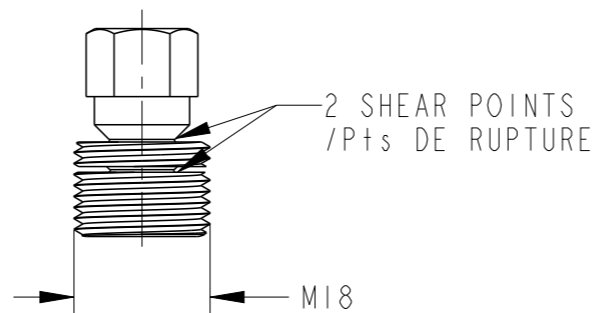
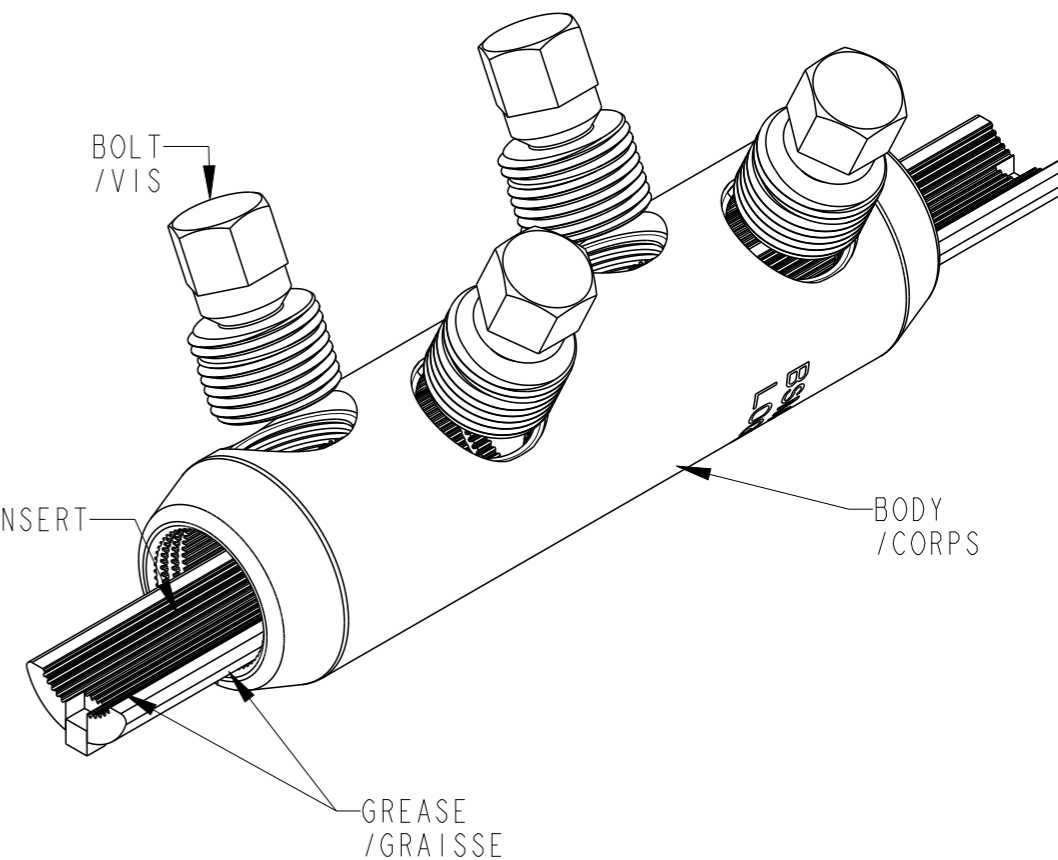
REVISIONS

P	LTR	DESCRIPTION	DATE	DWN	APVD
	A	UPDATED	26APR2004	PB	AD
	B	CROSS SECTION ALU ROUND SOLID ADDED	15NOV2006	AB	PB
	C	ADD 70 ² STRANDED CROSS SECTION	06APR2011	BM	NA
	D	HEX BOLT HEAD REDUCED PER ECO-20-006326	23SEP2020	NB	BM

BLOCKED VERSION

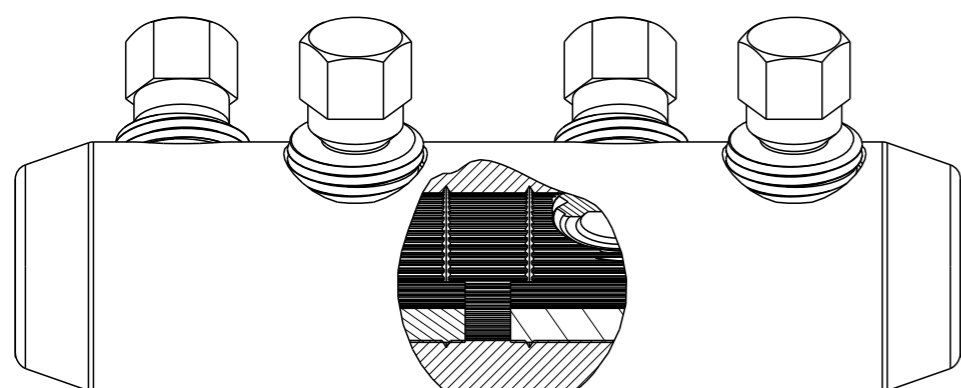


BOLT /VIS



BSM-95/240	1-1200143-7	695012-000
DESCRIPTION	PN	RPN

UNBLOCKED VERSION



SECTION A-A

BSM-95/240-U	4-1200402-6	E96021-000
DESCRIPTION	PN	RPN

	AL				CU	
	ROUND STRANDED /Rond câblé /RM	ROUND SOLID /Rond solide /RE	SECTOR STRANDED /Sectoral câblé /SM	SECTOR SOLID /Sectoral câblé /SE	ROUND STRANDED /Rond câblé /RM	SECTOR STRANDED /Sectoral câblé /SM
CONDUCTOR CROSS-SECTION /Section conducteur /Querschnittsbereich mm ²	70-240	95-300	95-150 (185 with rounding)	95-150 (185 with 90°)	70-240	95-150 (185 with rounding)
CONDUCTOR DIAMETER /Diamètre conducteur /Leiterdurchmesser mm	Ø 9.3-Ø 19.2	Ø 10.5-Ø 19	-	-	Ø 9.3-Ø 19.2	-

TOLERANCES UNLESS OTHERWISE SPECIFIED: -
TOLERANCES NON SPECIFIEES: -

THIS DRAWING IS A CONTROLLED DOCUMENT.

DWN J. BERLAND 17JUL2001
CHK N. EVANS
APVD N. ALMEIDA
PRODUCT SPEC
APPLICATION SPEC IEC 61238
WEIGHT 250g

STE TE Connectivity

NAME
BSM-95/240
BSM-95/240-U

SIZE A3 CAGE CODE - DRAWING NO. C-1510480 RESTRICTED TO

MATERIAL AL ALLOY FINISH TINNED

CUSTOMER DRAWING SCALE 1:1 SHEET 1 OF 1 REV D