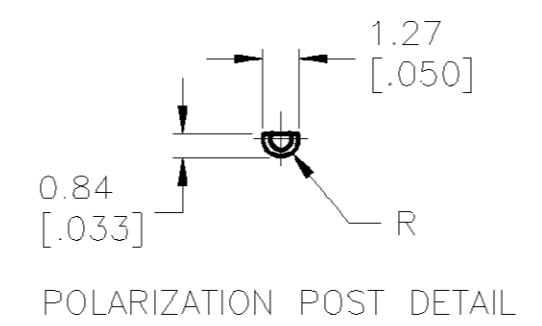
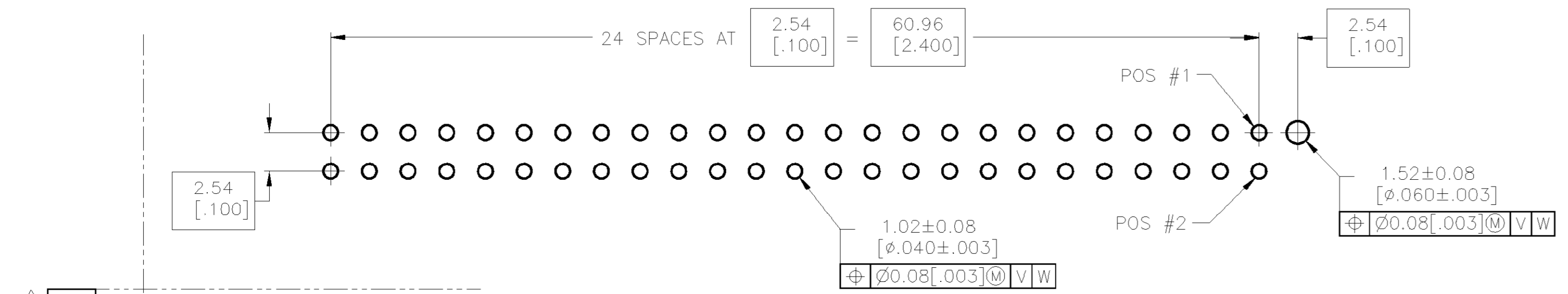
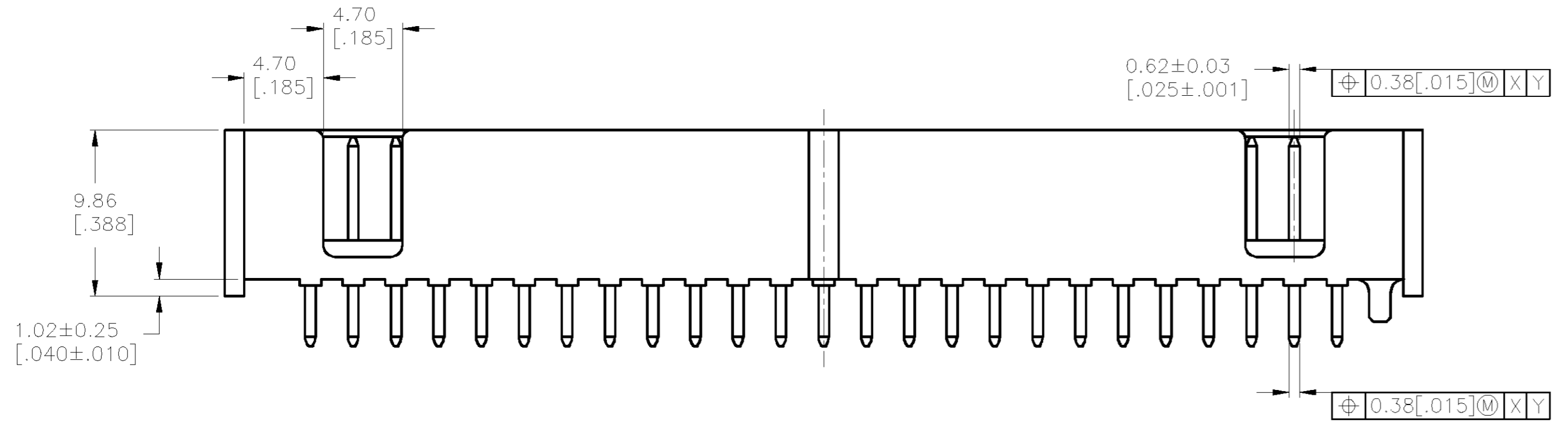
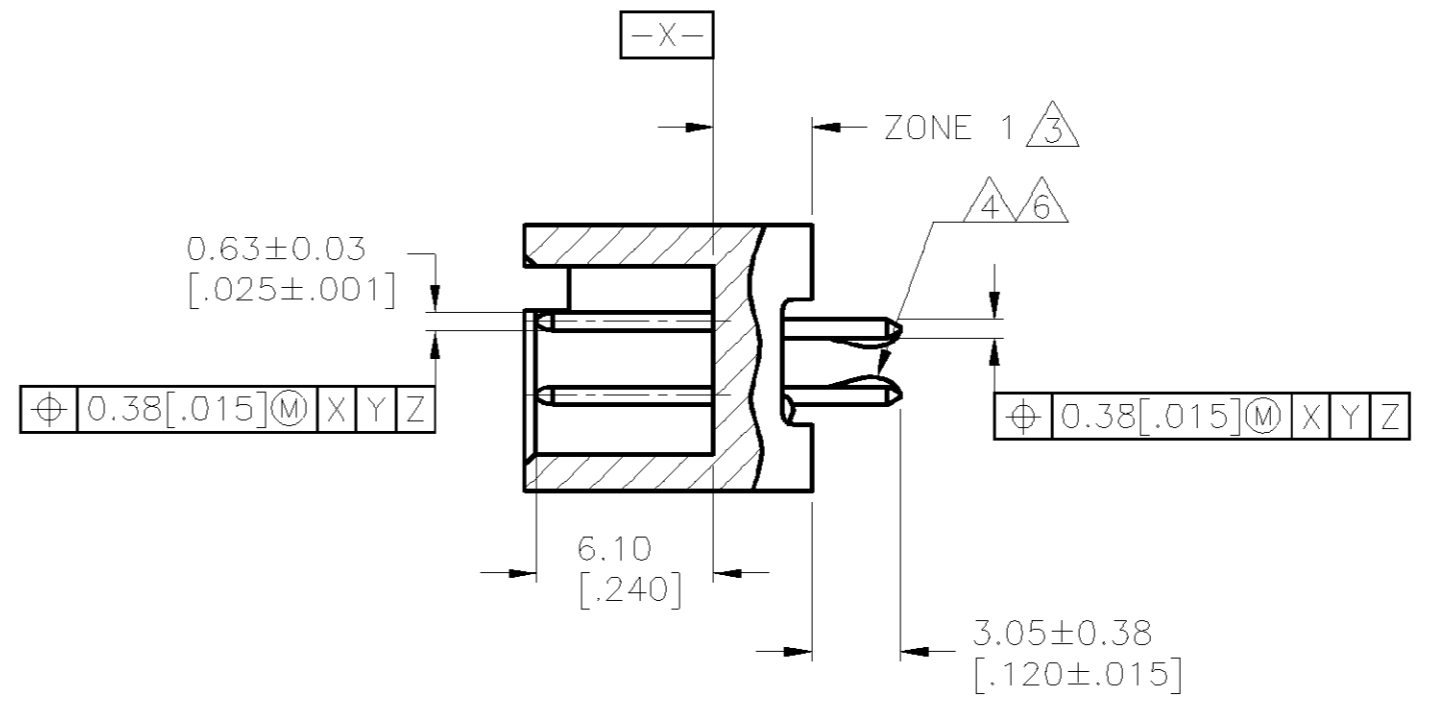
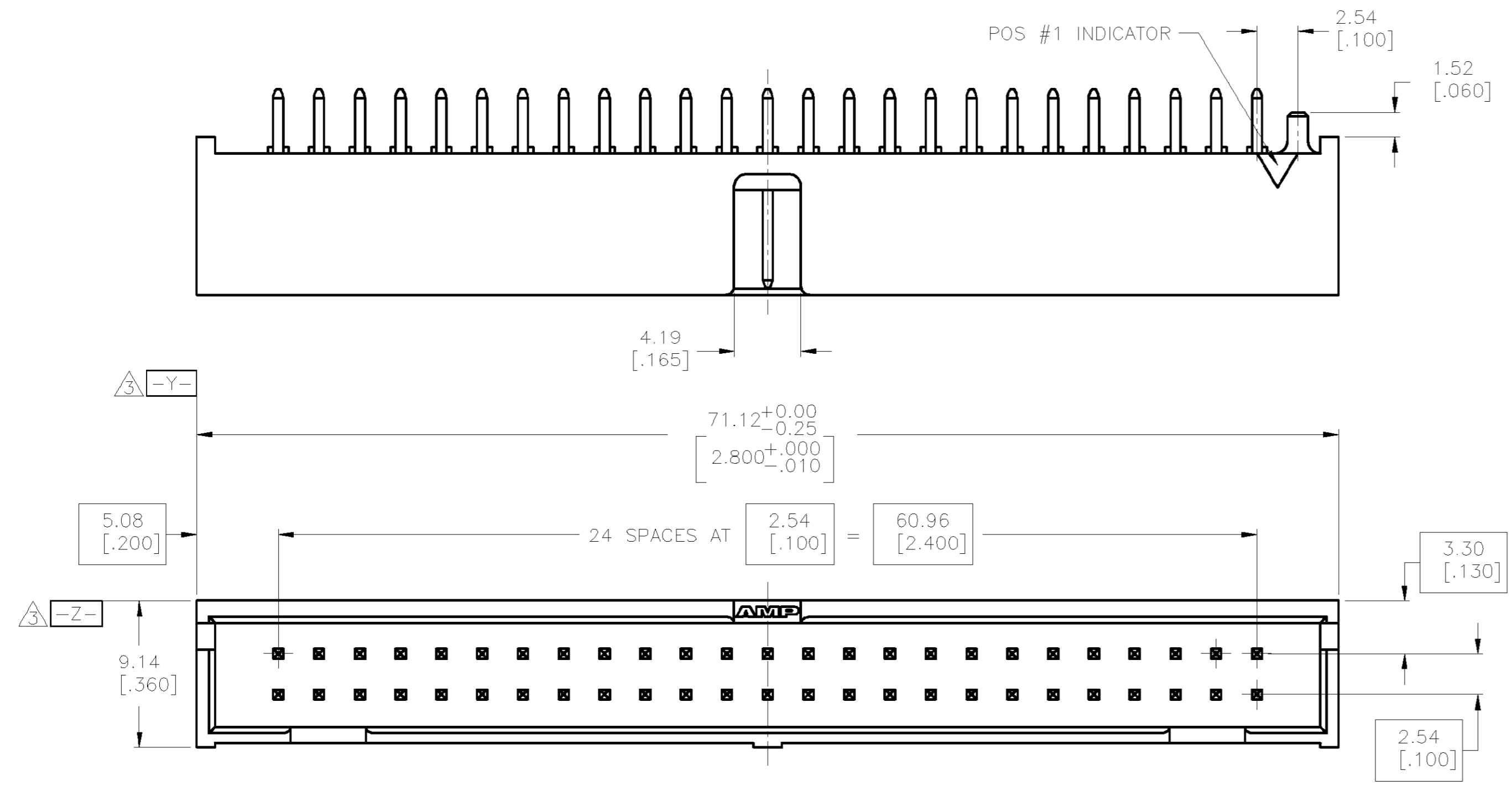


LOC		DIST		REVISIONS			
P	LR	DESCRIPTION	DATE	OWN	APPD		
1		PRELIMINARY PER EC 0513-0223-02	09AUG02	JG	SB		



- ① HOUSING: NYLON, UL 94V-0 RATED, COLOR BLACK.  
POSTS: PHOSPHOR BRONZE.
- ② POSTS: 0.00013[.000005] MIN GOLD ON MATING END, 0.00254[.000100] MIN TIN-LEAD ON SOLDER END, ALL OVER 0.00127[.000050] MIN NICKEL ON ENTIRE POST.
- ③ DATUMS Y AND Z APPLY IN ZONE 1.
- ④ HOLD DOWN POSTS LOCATED IN POSITIONS 1, 2, 49 & 50.
- ⑤ DATUMS V AND W TO BE ESTABLISHED BY CUSTOMER.
- ⑥ THE RETENTIVE FEATURE ON THIS CONNECTOR IS DESIGNED FOR USE WITH THE CONNECTOR FULLY SEATED ON A 1.57±0.18[.062±.007] THICK PCB.



**PRELIMINARY - NOT RELEASED FOR PRODUCTION**

**COPYRIGHT 2002  
 TYCO ELECTRONICS CORP  
 ALL RIGHTS RESERVED**

1489960-1  
 PART NUMBER

THIS DRAWING IS A CONTROLLED DOCUMENT.		OWN: J. GERACE 09AUG02	Tyco Electronics Corporation Harrisburg, Pa 17105	
DIMENSIONS: MM(INCHES)		CHK: S. BOLASH 09AUG02	Tyco Electronics	
TOLERANCES UNLESS OTHERWISE SPECIFIED:		APVD: J. WALMSLEY 09AUG02	NAME: HEADER ASSEMBLY, LOW PROFILE, VERTICAL, 50 POS, AMP-LATCH	
0 PLC	±	PRODUCT SPEC	108-40018	
1 PLC	±	APPLICATION SPEC	-	
2 PLC	± 0.13[.005]	SIZE	A1	00779
3 PLC	±	SCALE	4:1	1489960
4 PLC	±	WEIGHT	-	
ANGLES	±	CUSTOMER DRAWING	-	
FINISH	±	RESTRICTED TO	-	
MATERIAL		SCALE: 4:1 SHEET 1 OF 1 REV 1		