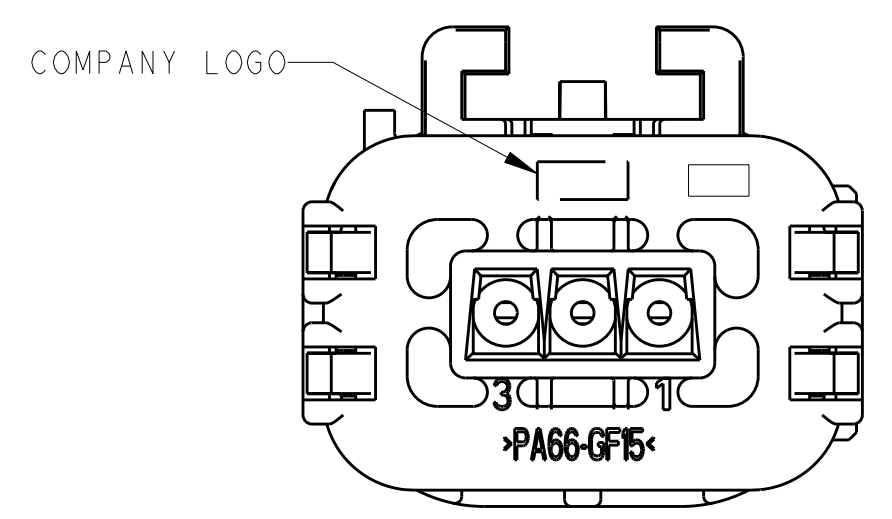
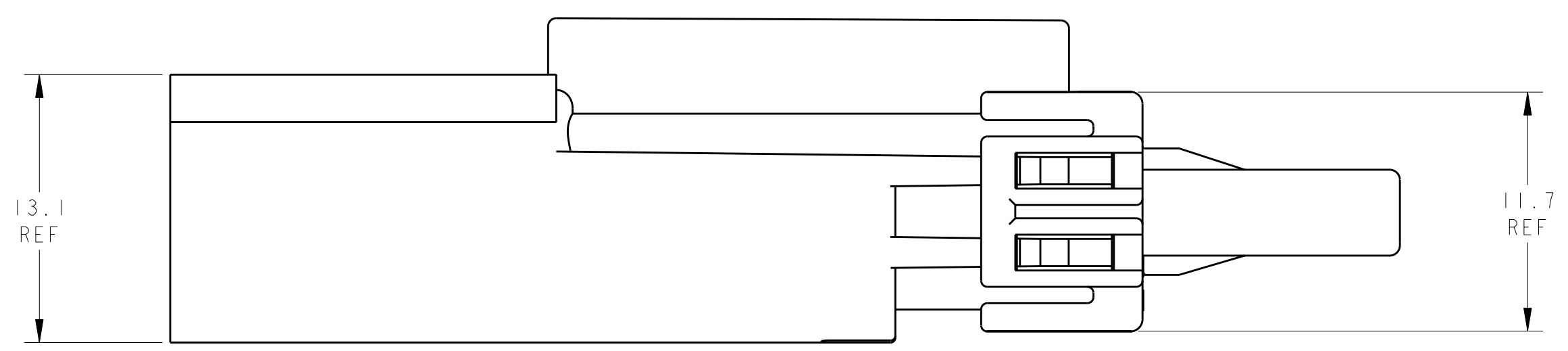
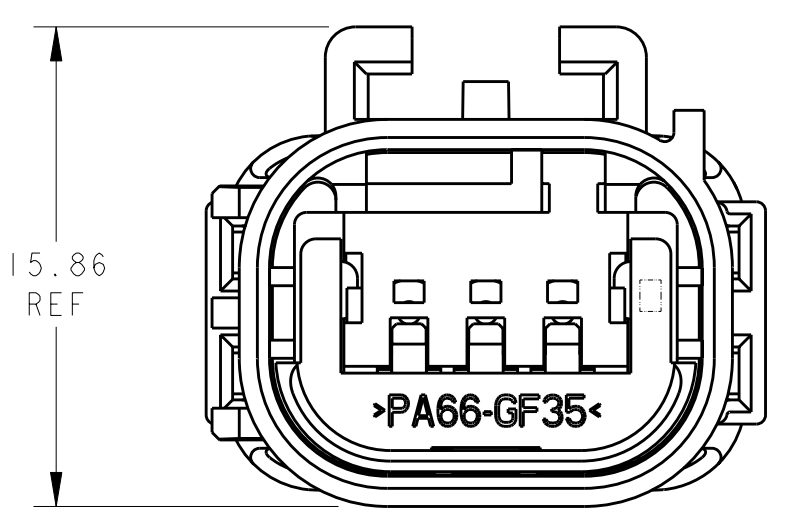
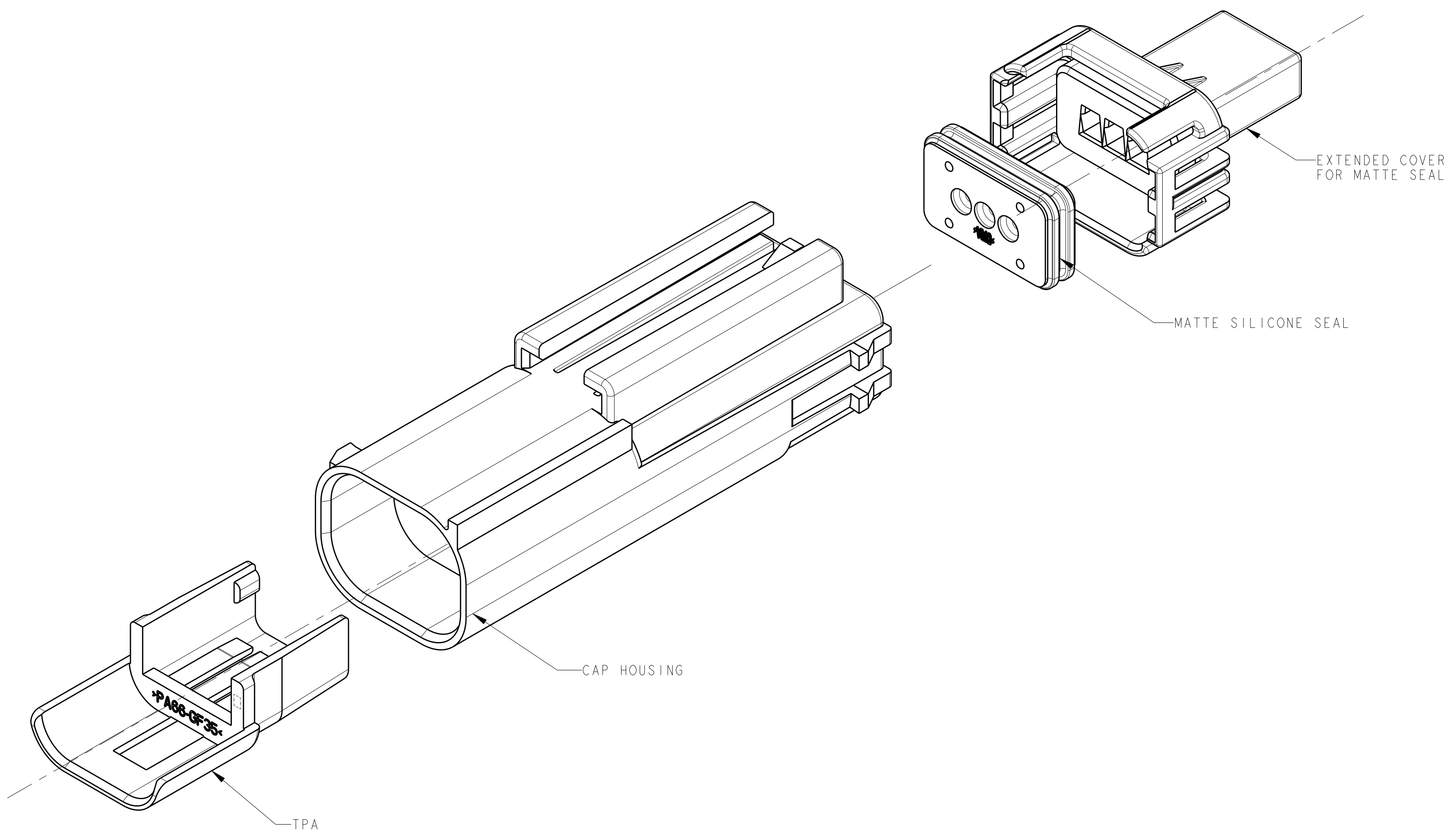
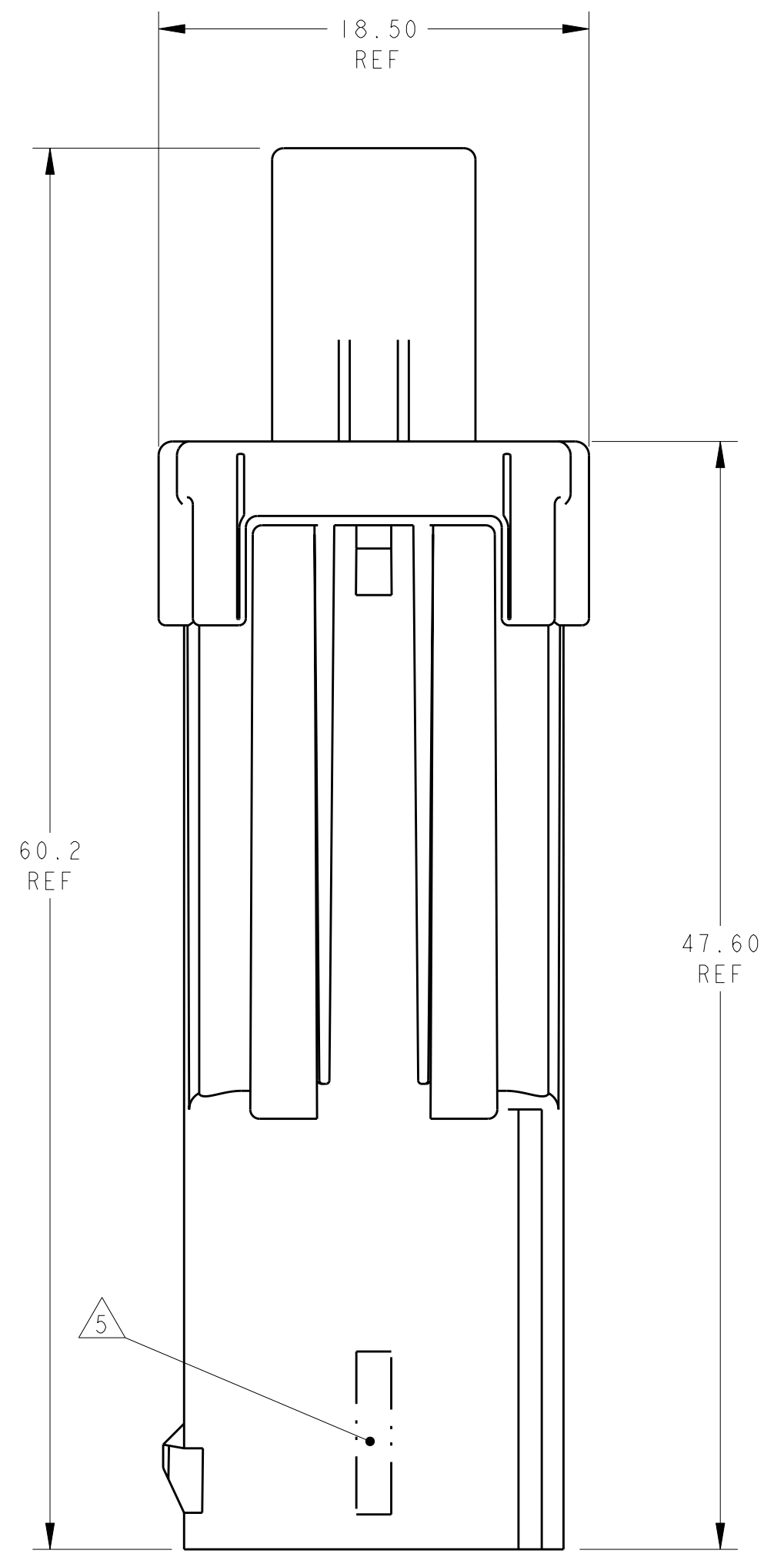


LOC	DIST	REV	DATE	BY	APPD
IN	00				
REVISIONS					
REV	DATE	DESCRIPTION	DATE	BY	APPD
C	22DEC2004	REVISED PER EC 0K80-0492-04	22DEC2004	RDW	CJS
C1	05NOV2007	REVISED PER ECR 07-025651	05NOV2007	DLD	CJS
C2	12OCT2009	REVISED PER ECO 09-022135	12OCT2009	DLD	CJS
C3	31MAY2010	REV PER ECR-10-011823	31MAY2010	VSS	CS



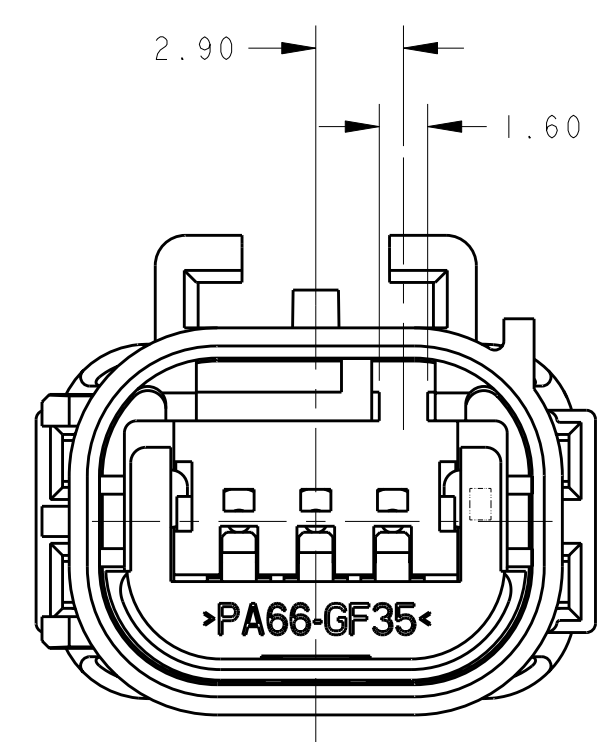
	MIN	MAX
PRESET TO FULL	5N	55N
FULL TO PRESET	5N	55N
PRESET TO OFF	5N	-

KEY	DESCRIPTION	PART NUMBER
△6	E	1488750-5
△6	D	1488750-4
△6	C	1488750-3
△6	B	1488750-2
△6	A	1488750-1
HOLD DOWN ATTACHMENT		
KEY CONFIGURATION (SEE SHEET 2)		
		PART NUMBER

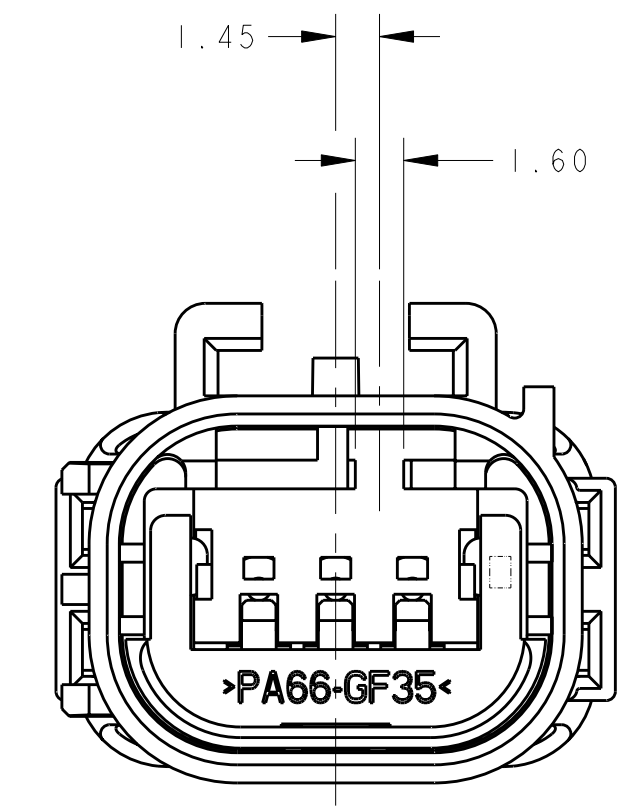
- 1488750-1 SHOWN.
- TPA SHOWN IN PRE-LATCHED POSITION.
- KEY "A" SHOWN FOR REFERENCE ONLY.
- CAP HOUSING AND COVER: NYLON 6/6, 35% GLASS FILLED, BLACK, 25% MAX REGRIND.
TPA: NYLON 6/6, 35% GLASS FILLED, RED, 25% MAX REGRIND.
WIRE SEAL: SILICONE, LIGHT BLUE.
- FOUR DIGIT JULIAN DATE CODE (DDDY), MARKED IN APPROXIMATE AREA SHOWN.
- PART NUMBER ASSEMBLES WITH AN OPTIONAL ANTI-ROTATIONAL RETAINER (SEE PART NUMBER 1437839-1) SOLD SEPARATELY.
- PART NUMBER ASSEMBLES WITH AN OPTIONAL ANTI-ROTATIONAL RETAINER (SEE PART NUMBER 184288) SOLD SEPARATELY.
- PART NUMBER ASSEMBLES WITH AN OPTIONAL BODY CLIP (SEE PART NUMBER 345484) SOLD SEPARATELY.
- MINIMUM FORCE TO RESIST POLARIZING FEATURES FOR THIS CONNECTOR IS 160 NEWTONS.

DIMENSIONS: mm 		TOLERANCES UNLESS OTHERWISE SPECIFIED: 9 PLC ± 1 PLC ±0.5 2 PLC ±0.2 3 PLC ± 4 PLC ± ANGLES ± FINISH -		DWN B. BUCHTER 22APR2003 CHK B. BUCHTER 22APR2003 APVD F. KINSEY 23APR2003 PRODUCT SPEC - APPLICATION SPEC - SAE/JUSCAR-2 8/97 WEIGHT - CUSTOMER DRAWING		Tyco Electronics Harrisburg, PA 17105-3608 NAME: CAP ASSEMBLY, SEALED, 3 POSITION 1X3, 0.64mm CONNECTOR SIZE: A 00779 C=1488750 SCALE: 4:1 SHEET 1 OF 2 REV C3	
-----------------------	--	---	--	---	--	--	--

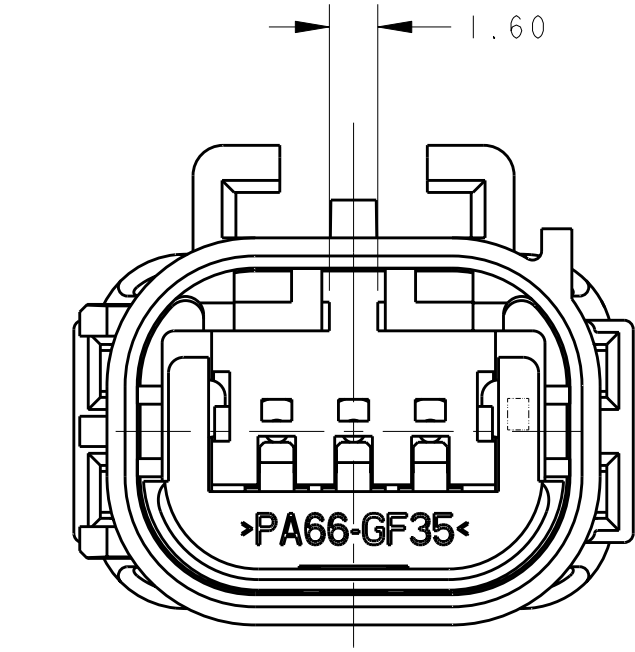
LOC	DIST	REVISIONS					
		P	LTB	DESCRIPTION	DATE	DWN	APVD
1N	00	-	-	SEE SHEET 1	-	-	-



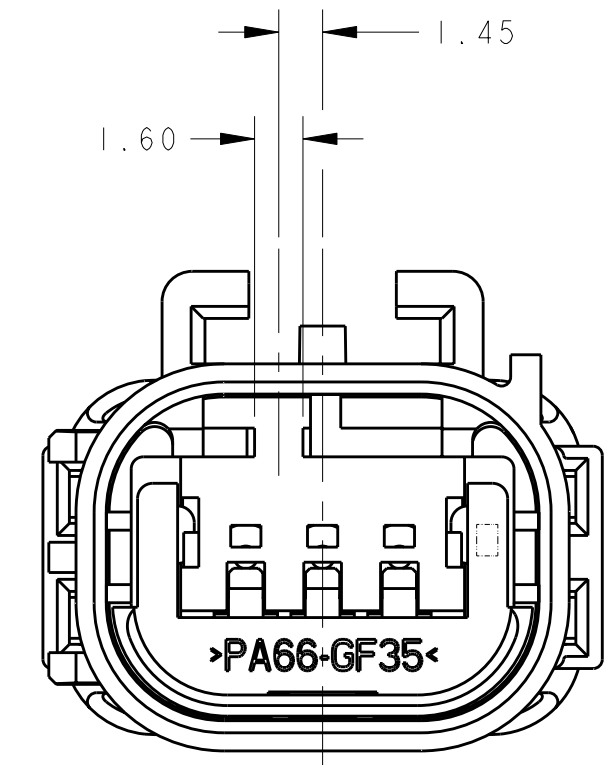
KEY CONFIGURATION "A"
 SCALE 4:1
 (APPLIES TO -1 ONLY)



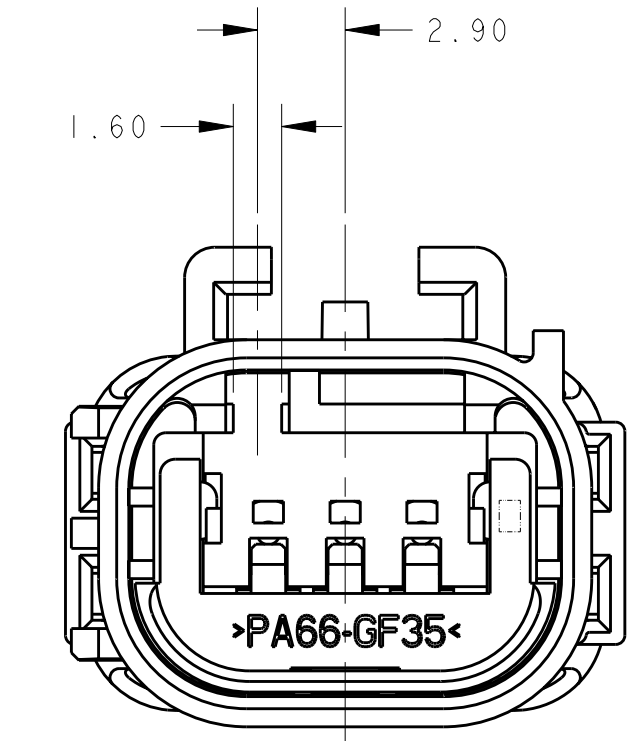
KEY CONFIGURATION "B"
 SCALE 4:1
 (APPLIES TO -2 ONLY)



KEY CONFIGURATION "C"
 SCALE 4:1
 (APPLIES TO -3 ONLY)



KEY CONFIGURATION "D"
 SCALE 4:1
 (APPLIES TO -4 ONLY)



KEY CONFIGURATION "E"
 SCALE 4:1
 (APPLIES TO -5 ONLY)

<small>THIS DRAWING IS UNPUBLISHED. RELEASED FOR PUBLICATION BY TYCO ELECTRONICS CORPORATION. IT IS SUBJECT TO CHANGE WITHOUT NOTICE AND WITHOUT OBLIGATION. SHOULD BE CONTACTED FOR THE LATEST REVISION.</small>		DWN: B. BUCHTER 22APR2003 CHK: B. BUCHTER 22APR2003 APVD: F. KINSEY 23APR2003	Tyco Electronics Harrisburg, PA 17105-3608
DIMENSIONS: mm 	TOLERANCES UNLESS OTHERWISE SPECIFIED: 0 PLC ± 1 PLC ±0.5 2 PLC ±0.2 3 PLC ± 4 PLC ± ANGLES ± FINISH	NAME: CAP ASSEMBLY, SEALED, 3 POSITION 1X3, 0.64mm CONNECTOR PRODUCT SPEC: APPLICATION SPEC: SAE/JUSCAR-2 8/97 WEIGHT: CUSTOMER DRAWING	SIZE: A CAGE CODE: 00779 DRAWING NO: C-1488750 RESTRICTED TO:
AMP 4805 REV 31MAR2000		SCALE: 4:1 SHEET: 2 OF 2 REV: C3	