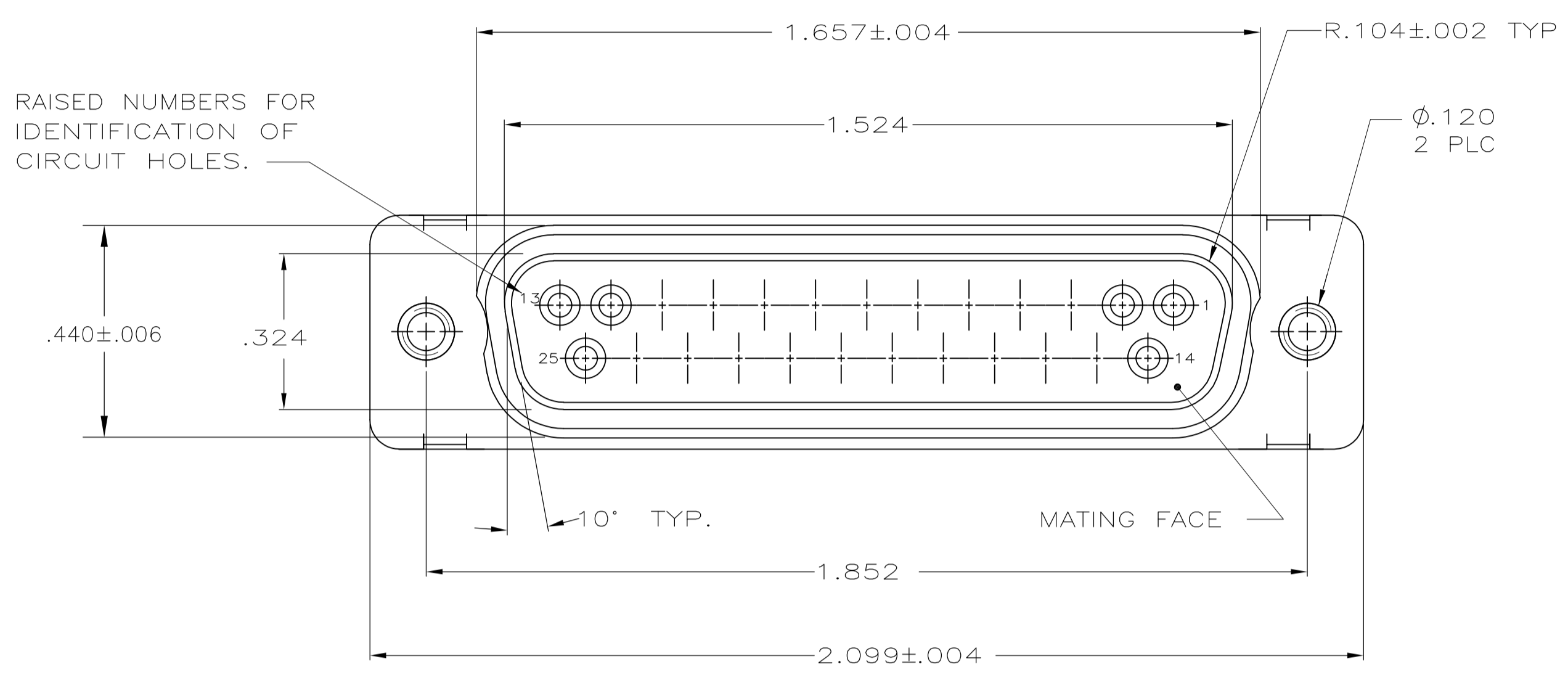
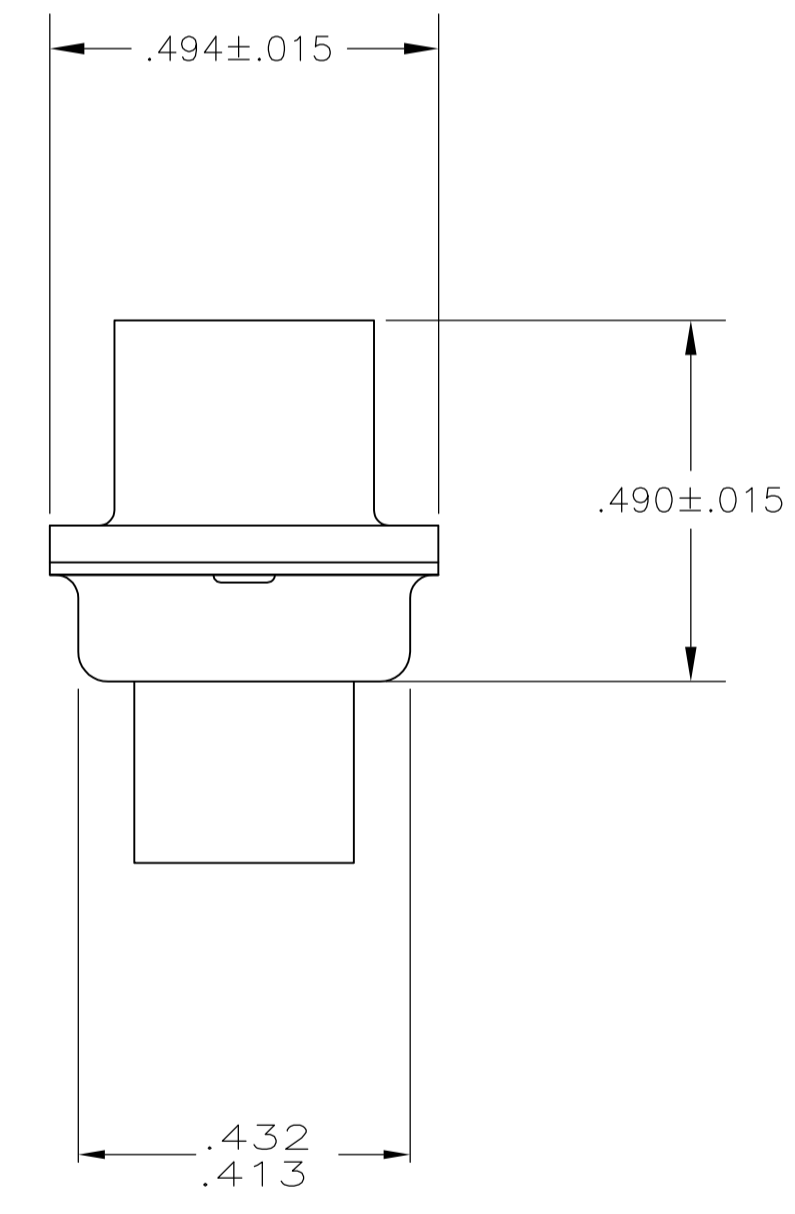
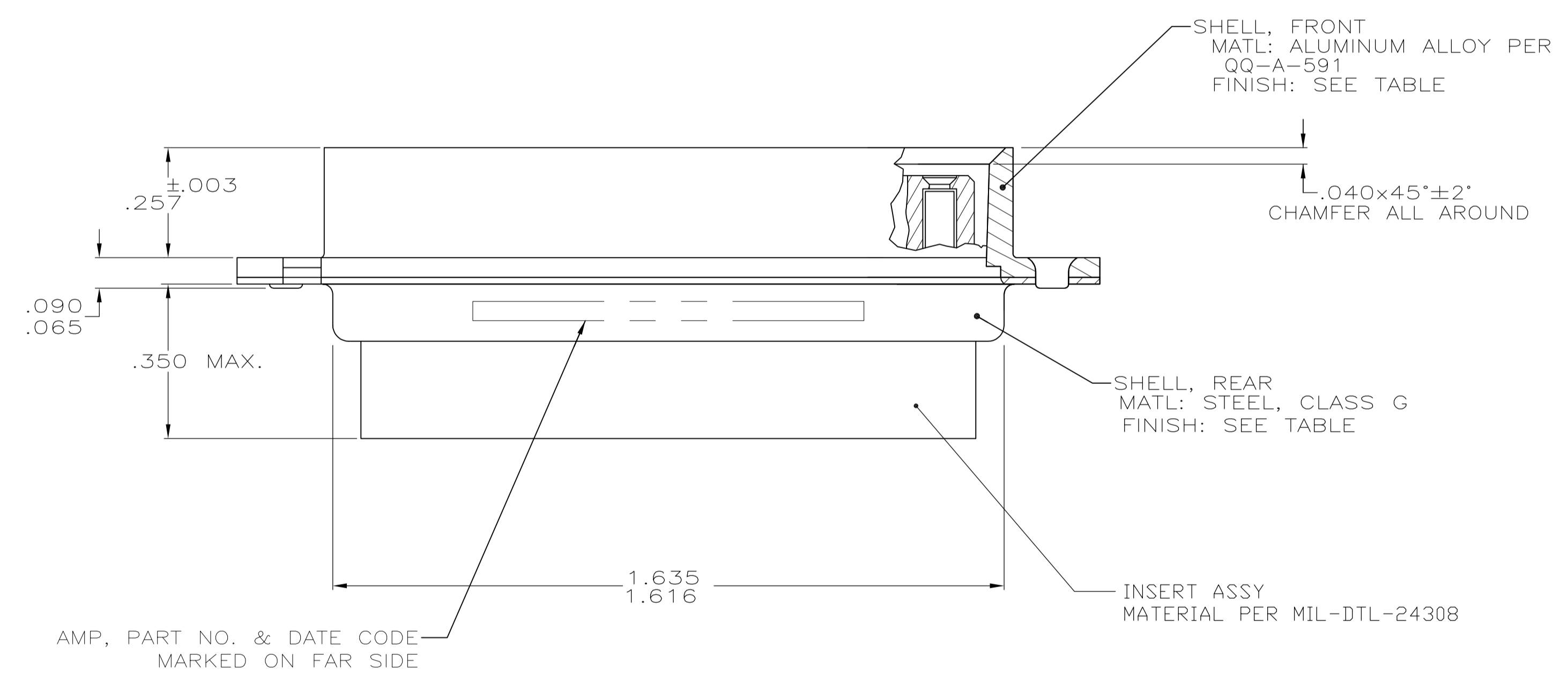


LOC		DIST		REVISIONS			
P	LTR	DESCRIPTION	DATE	DM	APVD		
C		REV PER ECO 15-005916	5-29-15	CT	DM		



1. MAXIMUM WIRE INSULATION TO BE USED WITH THIS PLUG IS .068 DIA.
2. SST RETENTION CLIPS ARE INCLUDED IN INSERTS.
3. THIS PLUG WILL ACCEPT SIZE 20 SOCKET CONTACT M39029/63-368 OR AMP PART NUMBER 205090-1.
4. FINISH: CADMIUM PER QQ-P-416; YELLOW CHROMATE.
5. FINISH: ZINC PLATED PER ASTM-B-633 .000200 MIN THK WITH SUPPLEMENTARY CHROMATE (Cr3+).



5	5-1484950-1
4	1484950-1
FINISH	PART NO.

THIS DRAWING IS A CONTROLLED DOCUMENT.

DIMENSIONS: INCHES	TOLERANCES UNLESS OTHERWISE SPECIFIED:	DIN C.C.THOMAS 8-28-02	CHK D.MILLER 8-28-02	APVD D.MILLER 8-28-02	NAME
0 PLC ± -	1 PLC ± -	TE Connectivity			PLUG ASSEMBLY,AMPLIMITE 25 POSN,SIZE 3, SERIES 109 BLINDMATE, REVERSE GENDER
2 PLC ± -	3 PLC ± .005				
4 PLC ± -	ANGLES ± # 0° 30'				
MATERIAL SEE CALLOUTS	FINISH SEE CALLOUTS				
CUSTOMER DRAWING		SCALE 4:1	SHEET 1 OF 1	REV C	