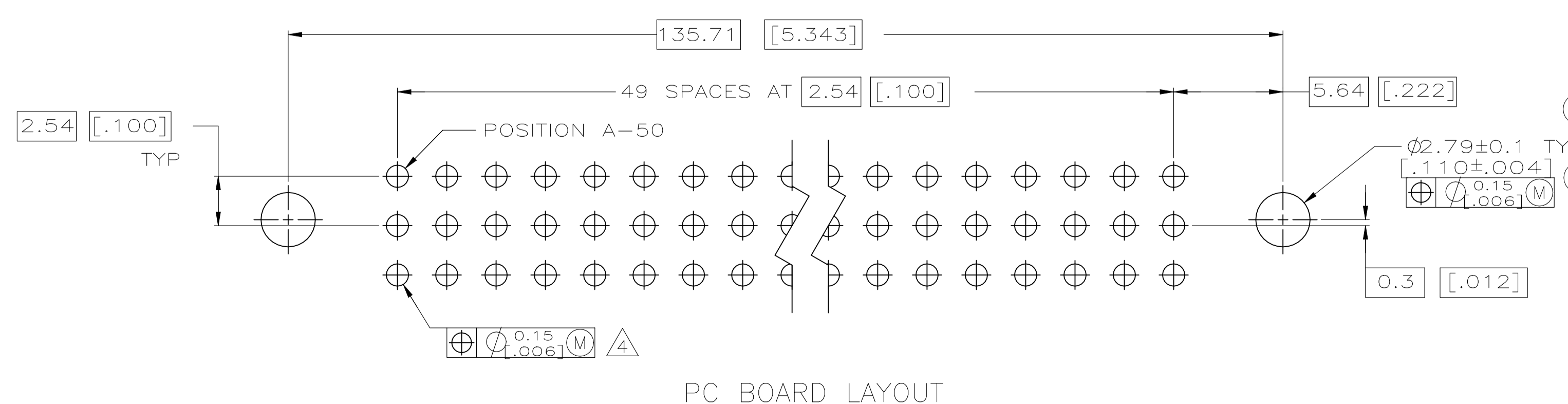
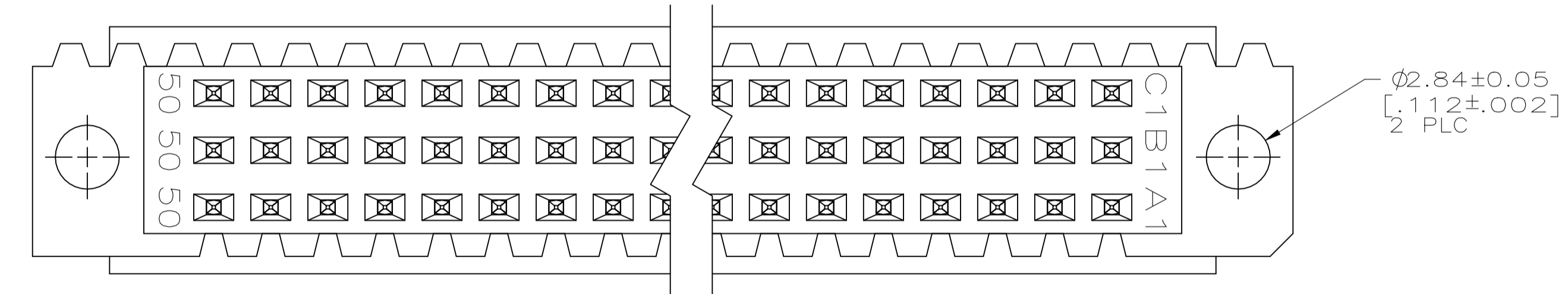
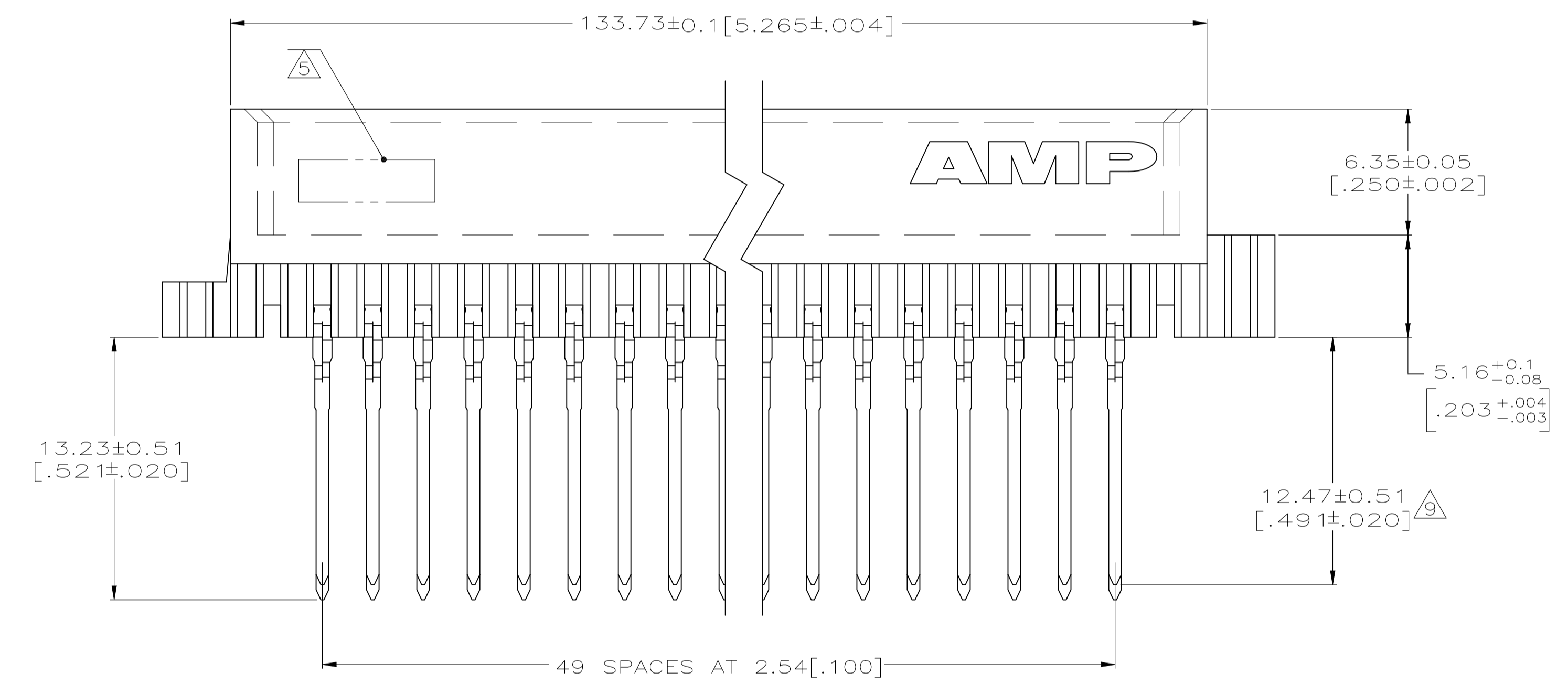
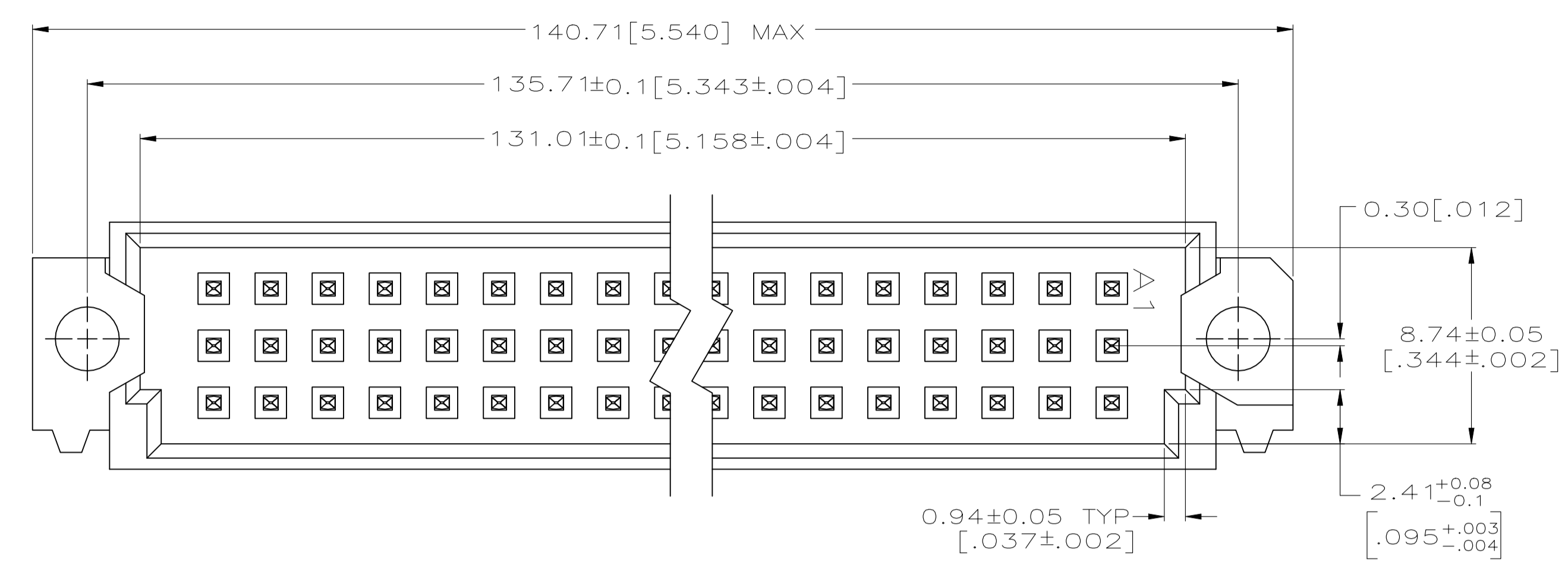
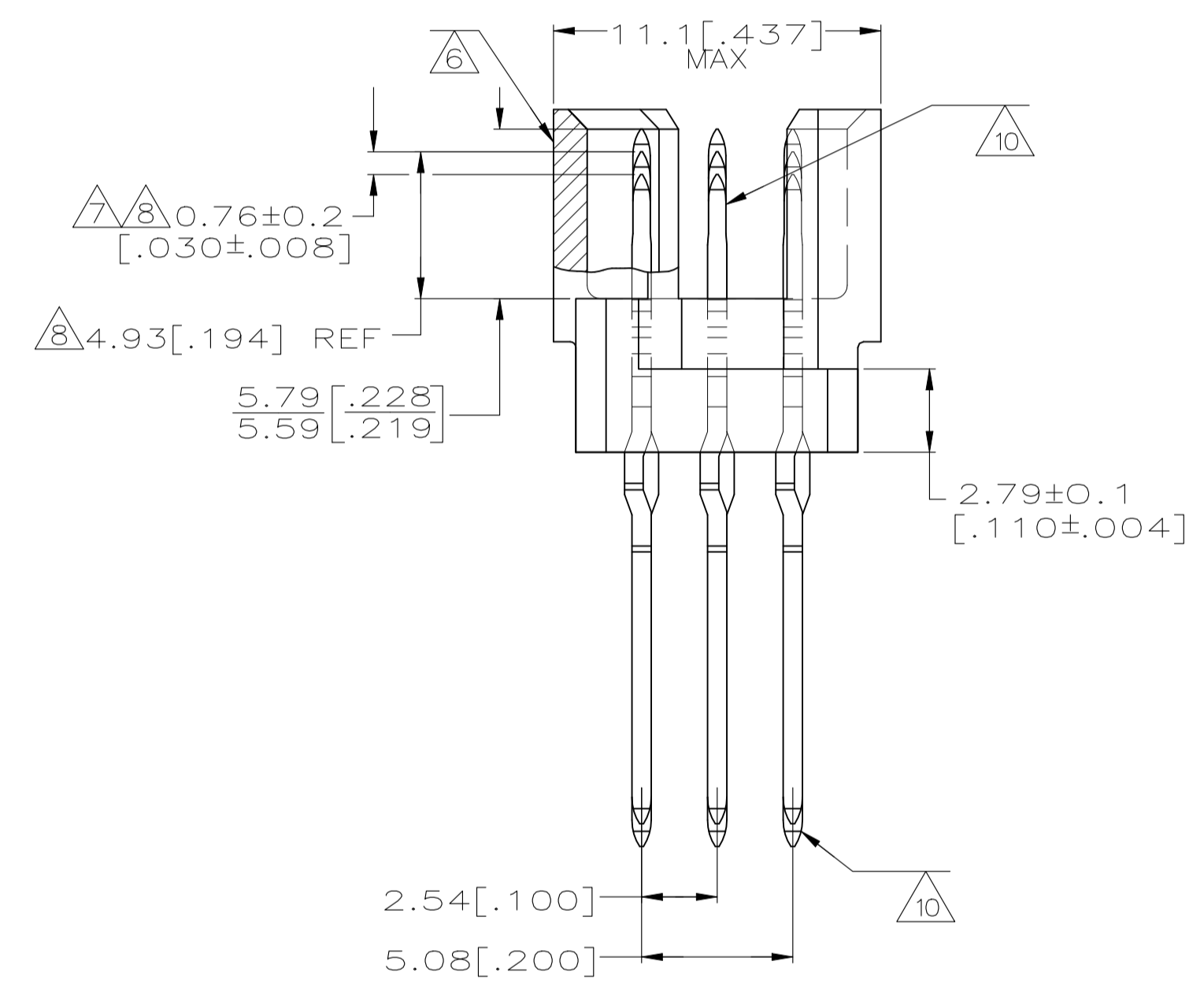


REVISIONS				
REV	DESCRIPTION	DATE	BY	APP'D
E	REVISED PER ECR-23-171821	21MAY2023	R.S	W.H



PC BOARD LAYOUT

- 1 HOUSING MATERIAL: GLASS-FILLED POLYESTER. COLOR: GRAY.
- 2 POST MATERIAL: PHOSPHOR BRONZE.
- 4 PC BOARD HOLES REQUIRED FOR ACTION PIN CONTACTS ARE 1.151 [.0453] DRILL DIAMETER PLATED THROUGH WITH 0.02-0.08 [.001-.003] COPPER AND 0.008 [.0003] MINIMUM TIN-LEAD PLATING. FINISHED HOLE AFTER PLATING, 0.94-1.09 [.037-.043] DIAMETER.
- 5 [PART NUMBER, DATE CODE] MARKED THIS APPROXIMATE AREA.
- 6 MARKING ON THIS SIDE.
- 7 FOR "MFBL" APPLICATIONS, A 2.36 [.093] MINIMUM THICK PC BOARD IS REQUIRED. PROGRAMMABLE SEATING TOOL 768216-4 MUST BE USED.
- 8 TO BE 4.16 [.164] REF FOR LAST MAKE PINS AFTER SEATING. POST LENGTH DIFFERENCE BETWEEN SHORT AND LONG PINS TO BE 0.76 ± 0.2 [.030 ± .008] AFTER SEATING.
- 9 THIS DIMENSION WILL BE 13.23 ± 0.51 [.521 ± .020] AFTER SEATING FOR PINS WITH 4.17 [.164] REF MATING POST.
- 10 POST FINISH: DIN 41612 CLASS 2 IN CONTACT AREA AND LOWER 5.08 [.200] OF TAILS. GOLD FLASH ON REMAINDER.
- 11 FOR 1.57 [.062] THICK PC BOARD APPLICATIONS, USE SEATING TOOL 768211-4. PROGRAMMABLE SEATING TOOL 768216-4 WITH PUSH PINS FOR MAKE FIRST CONTACTS ONLY, CAN ALSO BE USED.
- 12 THE 5.69 [.224] LONG MAKE FIRST POSTS EXCEED THE ALIGNMENT CAPABILITY OF THE HOUSING AND COULD POSSIBLY STUB DURING MATING. CUSTOMERS MUST TAKE THIS INTO CONSIDERATION IN CARD CAGE DESIGN.



POSITIONS LOADED WITH 5.69 [.224] CONTACTS	POSITIONS LOADED WITH 4.16 [.164] / 4.93 [.194] CONTACTS	ROWS	NO OF LOADED POSN	PART NUMBER
5,11,14,17,43	1-4,6-10,12,13,15,16,18-42,44-47, 50	C	48	148482-4
5,11,14,17,43	1-4,6-10,12,13,15,16,18-42,44-47, 50	B	48	
5,11,14,17,43	1-4,6-10,12,13,15,16,18-42,44-47, 50	A	48	
5,11,14,17,43	1-4,6-10,12,13,15,16,18-42,44-50	C	50	148482-2
5,11,14,17,43	1-4,6-10,12,13,15,16,18-42,44-50	B	50	
5,11,14,17,43	1-4,6-10,12,13,15,16,18-42,44-50	A	50	
17,43,45,47	1-16,18-42,44,46,48-50	C	50	
17,43,45,47	1-16,18-42,44,46,48-50	B	50	148482-1
17,43,45,47	1-16,18-42,44,46,48-50	A	50	

THIS DRAWING IS A CONTROLLED DOCUMENT.

DIMENSIONS: mm [INCHES]

TOLERANCES UNLESS OTHERWISE SPECIFIED:

0 PLC	± .01
1 PLC	± .01
2 PLC	± 0.13 [.005]
3 PLC	± .01
4 PLC	± .01
ANGLES	± .01

MATERIAL: FINISH

DIN L. BRINER 4/3/98  
 CHK C. RICHARD 4/3/98  
 APVD C. RICHARD 4/3/98  
 NAME: PIN ASSEMBLY, EUROCARD, TYPE R WITH MFBL CONTACTS

SIZE: A1  
 CAGE CODE: 00779  
 DRAWING NO: 148482  
 WEIGHT: 0.000000  
 CUSTOMER DRAWING

SCALE: 5:1  
 SHEET: 1 of 1  
 REV: E

STE TE Connectivity