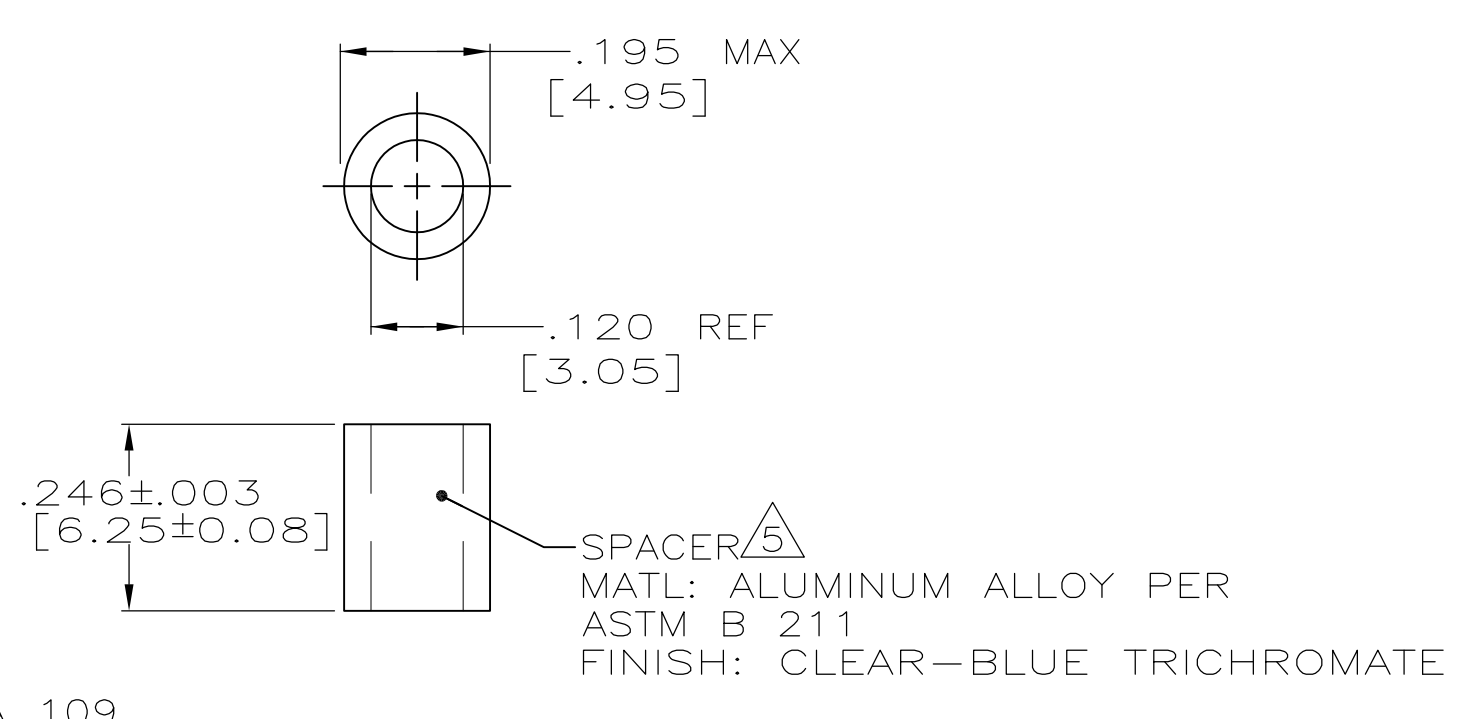
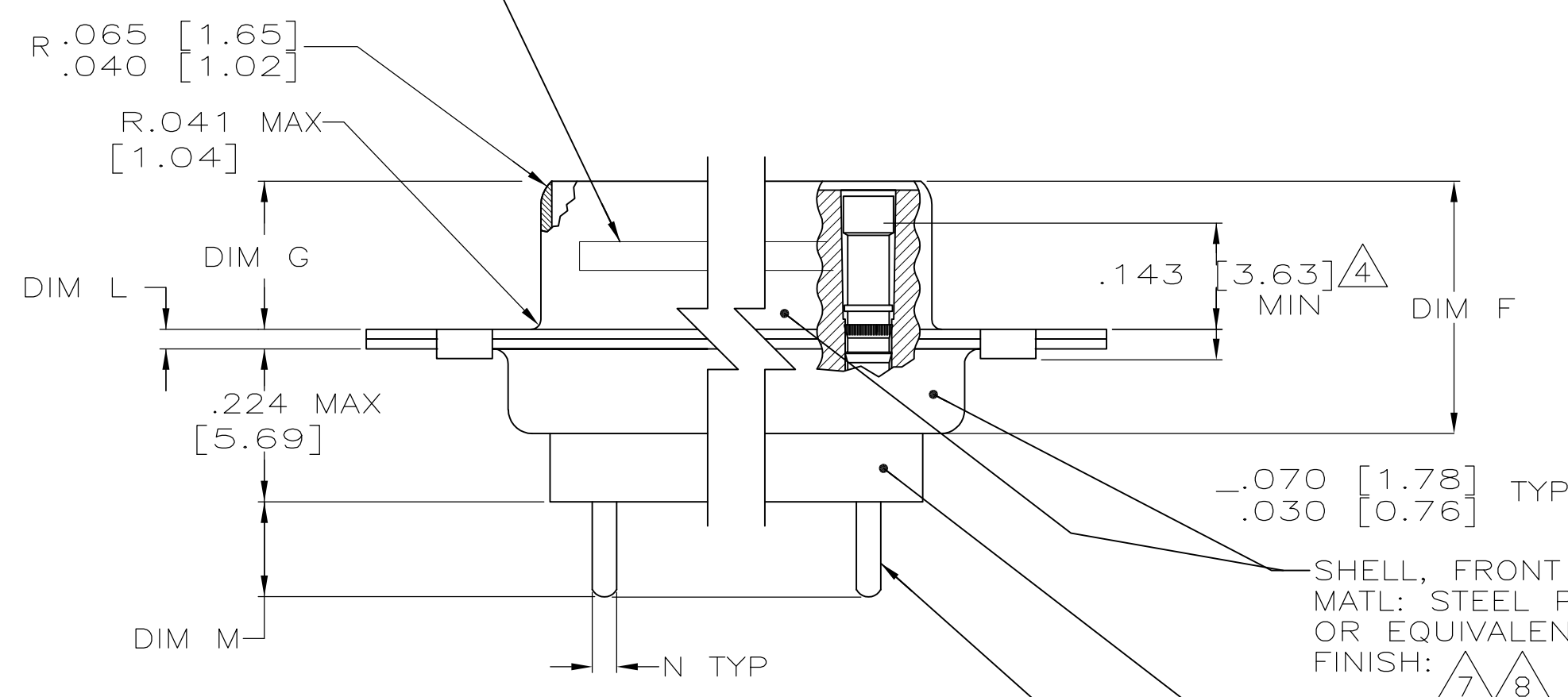


- 1 TRUE POSITION TOLERANCE FOR P.C.BOARD LAYOUT IS .010 [0.25] AT MAX MATERIAL CONDITION. SUGGESTED BOARD THICKNESS IS .125 [3.18]
- 2 THE CONNECTORS DESCRIBED IN THIS DOCUMENT WILL MATE WITH ANY PLUG CONNECTOR WITH THE SAME INSERT ARRANGEMENT.
- 3 MARKED WITH .047 [1.19]-.062 [1.57] HIGH CHARACTERS. FAR SIDE REFERS TO THE WIDE SIDE OF THE KEYSTONE. NEAR SIDE REFERS TO THE NARROW SIDE OF THE KEYSTONE.
- 4 POINT OF ELECTRICAL ENGAGEMENT - AS MEASURED WITH A .0390 [0.991]-.0393 [0.998] DIA SQUARE ENDED TEST PIN.
- 5 SPACERS (QTY 2) ARE SUPPLIED WITH CONNECTORS (NOT ATTACHED TO THE CONNECTOR).
- 6 CAVITY NO. 3,8 AND 16 ARE NOT LOADED WITH CONTACTS.
- 7 FINISH: CADMIUM PER QQ-416.
- 8 FINISH: ZINC PLATED PER ASTM-B-633 .000200-.000400 THK WITH SUPPLEMENTARY CHROMATE (Cr3+).

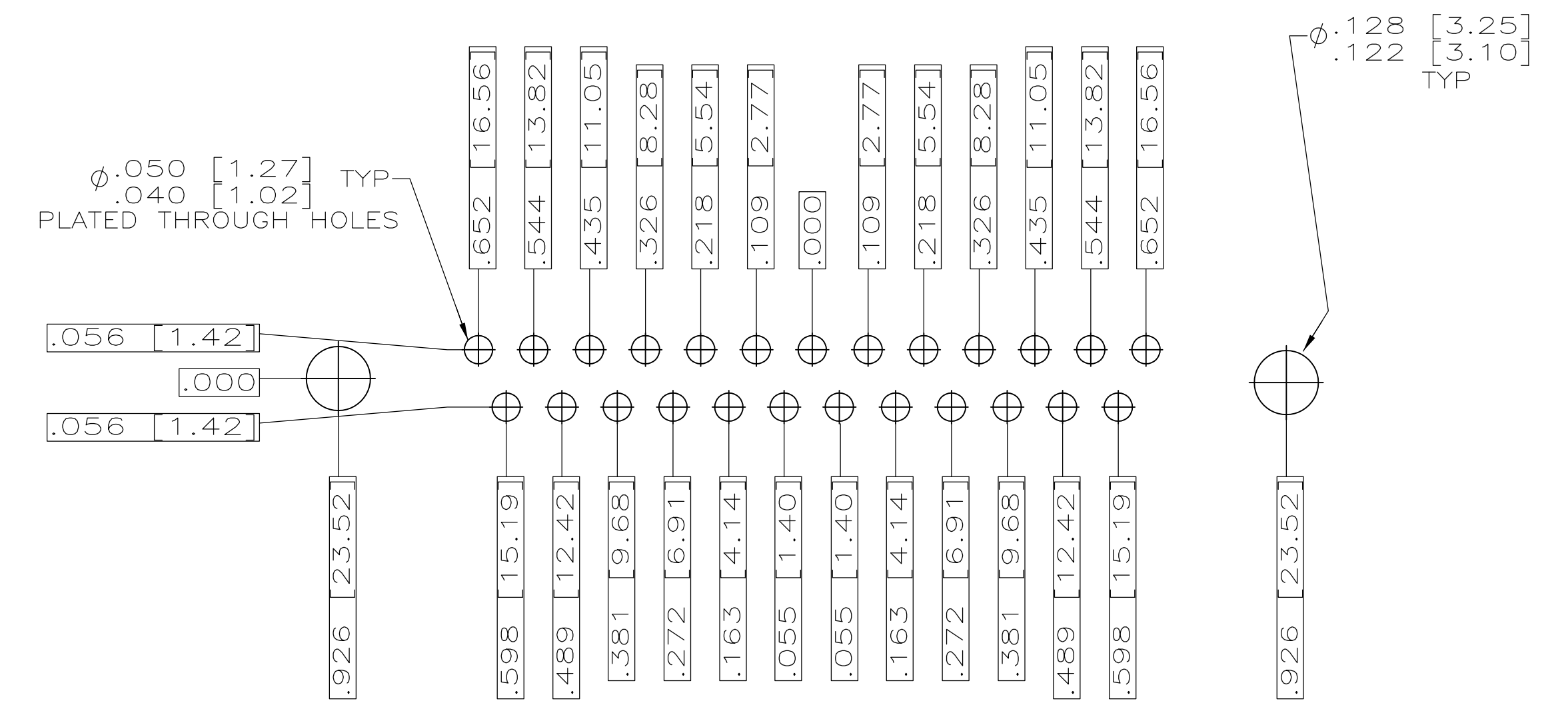
3 MARK AMP,AMP PART NO AND DATE CODE, FAR SIDE.



SHELL, FRONT & REAR
MATL: STEEL PER ASTM A 109 OR EQUIVALENT
FINISH: 7, 8

INSERT ASSEMBLY
MATL: POLYPHENYLENE SULFIDE (PPS) PER MIL-M-24519, TYPE: GST-40F OR POLYESTER PER MIL-M-24519, TYPE: GLCP-30F
COLOR: BLACK

CONTACT 6
MATL: BRASS PER ASTM-B-16 OR BERYLLIUM COPPER PER ASTM-B-194
FINISH: GOLD PER MIL-G-45204, TYPE II, GRADE C, CLASS 1 IN CONTACT MATING AREA, .000010 MIN GOLD PER MIL-G-45204 ON CONTACT BODY OVER NICKEL PER QQ-NN-290, .000050 MIN THICK



RECOMMENDED P.C. BOARD LAYOUT SHELL SIZE 3 (25 POSITION) 1

OBSOLETE	.033 [0.84]	.176 [4.47]	.040 [1.02]	.432 [10.97]	1.635 [41.53]	.248 [6.30]	.439 [11.15]	.509 [12.93]	.316 [8.03]	1.857 [47.17]	1.516 [38.51]	2.103 [53.42]	25	3	5-1484322-3	5-1484322-3
	.027 [0.69]	.136 [3.45]	.020 [0.51]	.412 [10.46]	1.615 [41.02]	.238 [6.05]	.419 [10.64]	.479 [12.17]	.306 [7.77]	1.847 [46.91]	1.506 [38.25]	2.073 [52.65]				
	N	M	L	J	H	G	F	E	D	C	B	A	NO OF POS	SHELL SIZE	AMP P/N ON CONNECTOR	PART NUMBER

THIS DRAWING IS A CONTROLLED DOCUMENT.

DIMENSIONS: INCHES. TOLERANCES UNLESS OTHERWISE SPECIFIED:

0 PLC	± .000
1 PLC	± .000
2 PLC	± .000
3 PLC	± .000
4 PLC	± .000
ANGLES	± .000

MATERIAL: SEE CALLOUTS. FINISH: SEE CALLOUTS.

WEIGHT: --. SIZE: A1. CAGE CODE: 00779. DRAWING NO: 1484322. RESTRICTED TO: --.

CUSTOMER DRAWING. SCALE: 4:1. SHEET: 1 OF 1. REV: D.

APPROVED: CHAD BAKER. DATE: 7-12-01. NAME: AMPLITE RECEPTACLE ASSY, LOW PROFILE SELECTIVE LOADED CONTACTS, SERIES 109, SIZE 3.

STE TE Connectivity