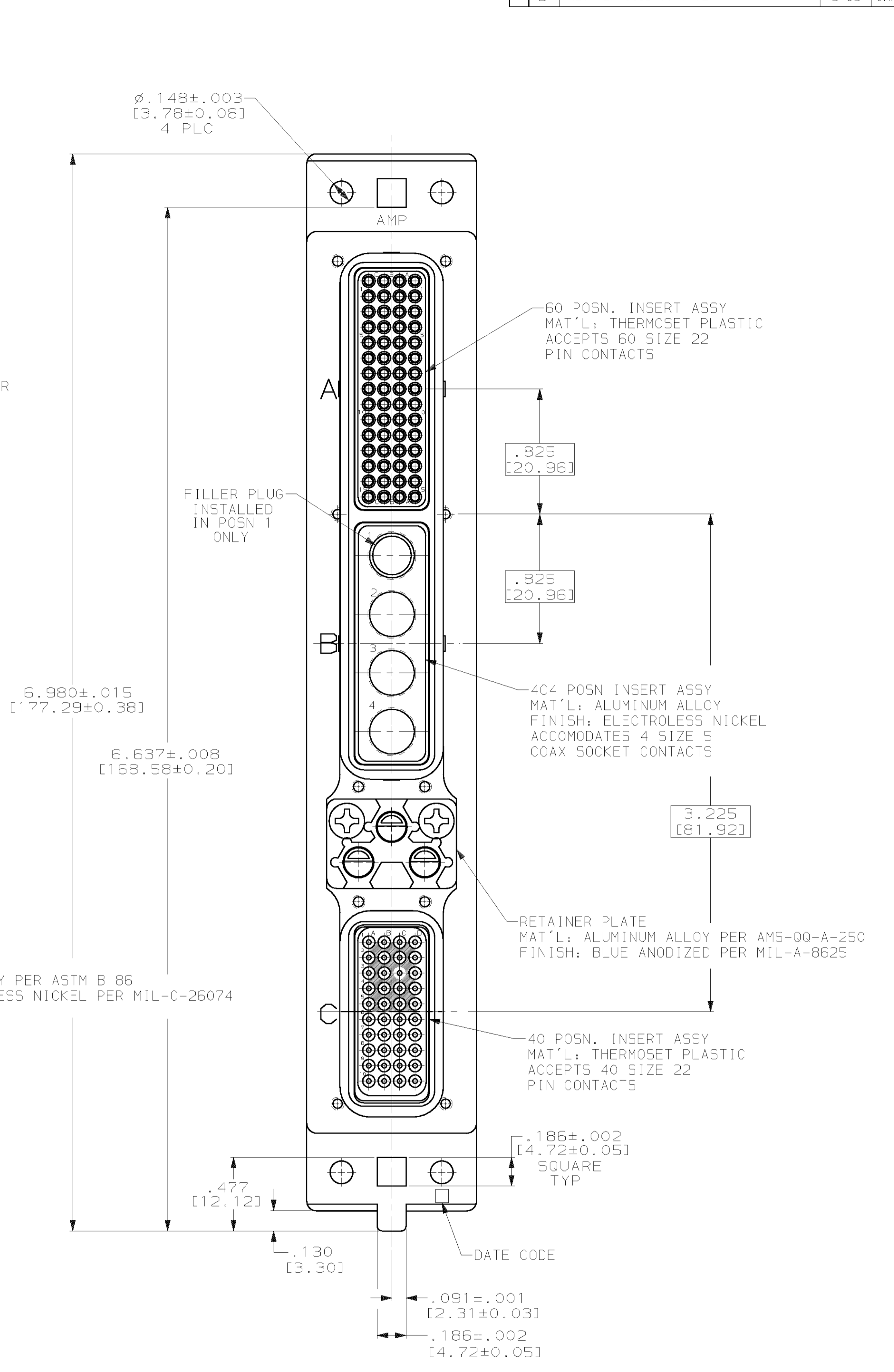
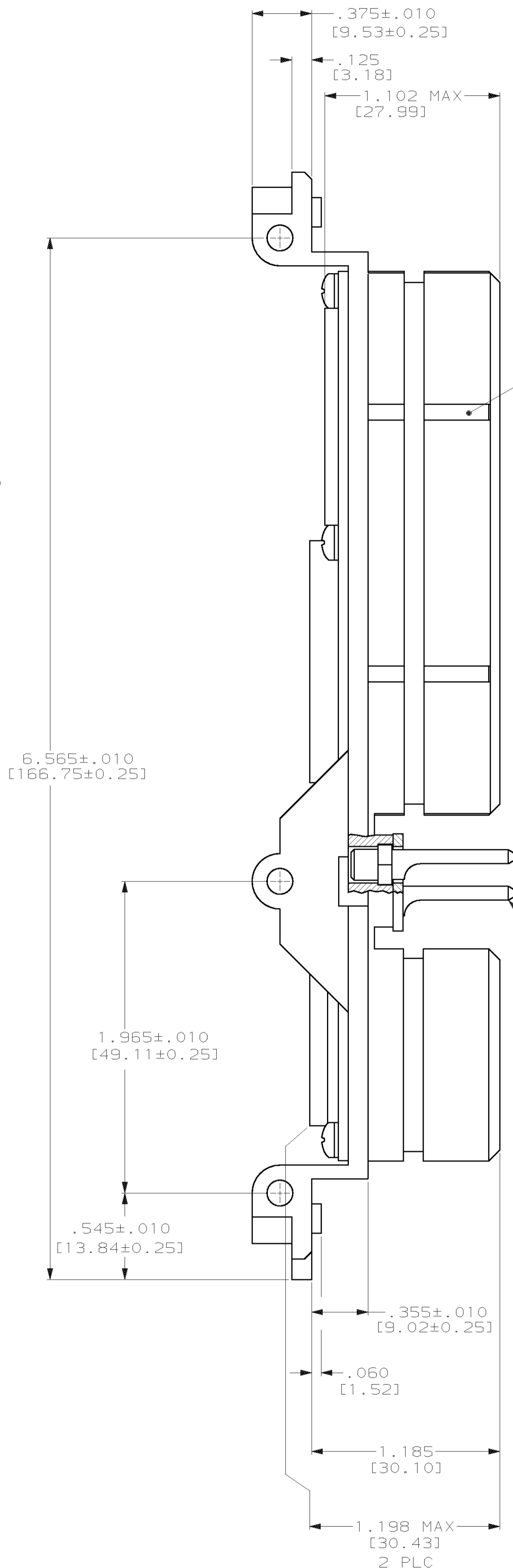
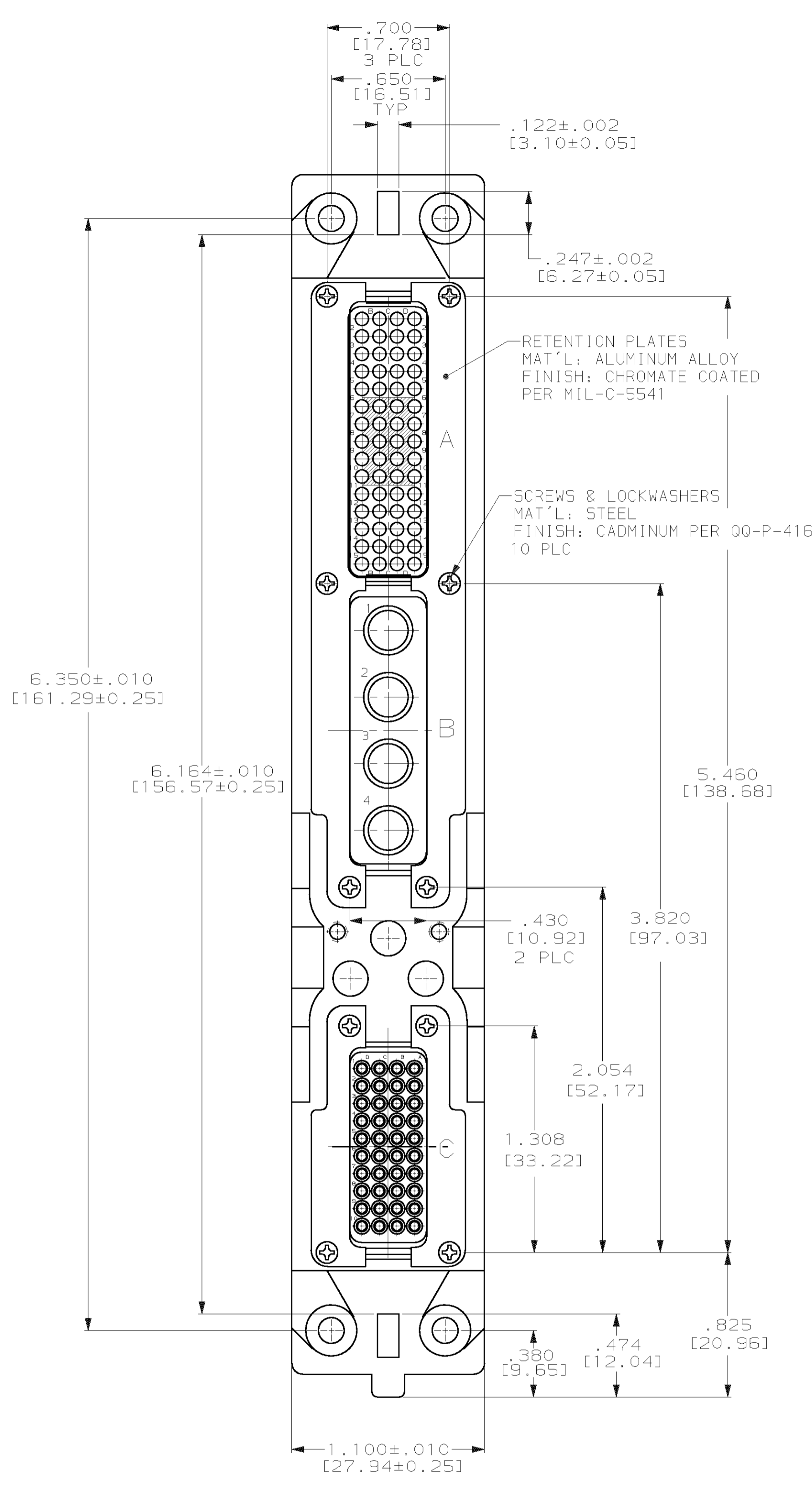


LOC		DIST		REVISIONS			
DF	AO	TR	LYR	DESCRIPTION	DATE	DWN	APVD
		B		REV PER 0630-0017-02	3-03	JMK	SG



- CONTACTS INCLUDED WITH CONNECTOR (PACKAGED SEPARATELY)
SIZE 22 PIN AMP PART NO. 208262-3 (QTY=100).
SIZE 5 COAX SOCKETS, FOR RG-316 CABLE, AMP PART NO. 225791-3 (QTY=3).
SIZE 5 FILLER PLUG INSTALLED IN POSN #1 OF 4C4 INSERT.
- CONNECTOR ASSEMBLY IN ACCORDANCE WITH ARINC 600 SPECIFICATION.
- CONNECTOR KEYPED IN POSN. "01".

PRELIMINARY NOT RELEASED FOR PRODUCTION 1484218-1 PART NUMBER

THIS DRAWING IS A CONTROLLED DOCUMENT.		DWN C.C. THOMAS 4-03-01	AMP Incorporated Harrisburg, PA 17105-3608
DIMENSIONS: INCHES (mm)		CHK S. GLATFELTER 4-03-01	
TOLERANCES UNLESS OTHERWISE SPECIFIED:		APVD S. GLATFELTER 4-03-01	NAME PLUG ASSY, SIZE 1, ARINC 600
0 PLC ±-	1 PLC ±-	PRODUCT SPEC	SIZE A1
2 PLC ±-	3 PLC ±-	APPLICATION SPEC	CAGE CODE 00779
4 PLC ±-	ANGLES ±-	WEIGHT	DRAWING NO 1484218
MATERIAL SEE CALLOUTS	FINISH SEE CALLOUTS	CUSTOMER DRAWING	RESTRICTED TO -
		SCALE 2:1	SHEET 1 OF 1
		REV B	