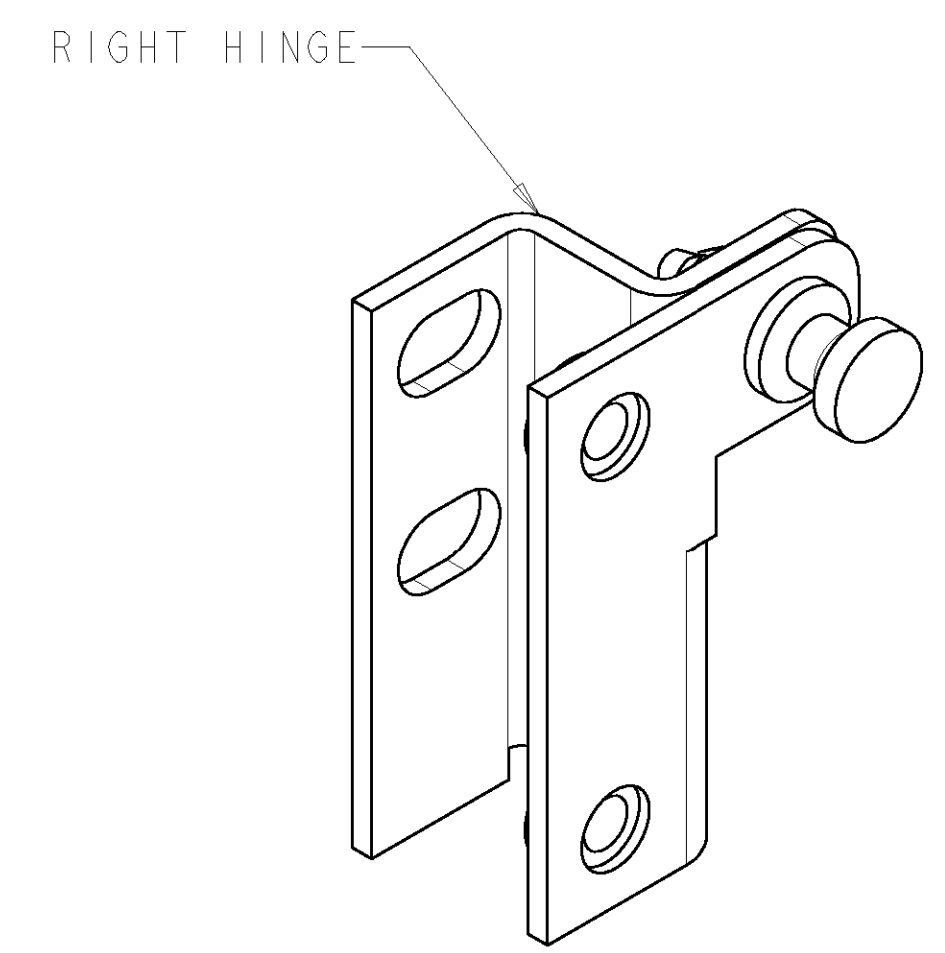
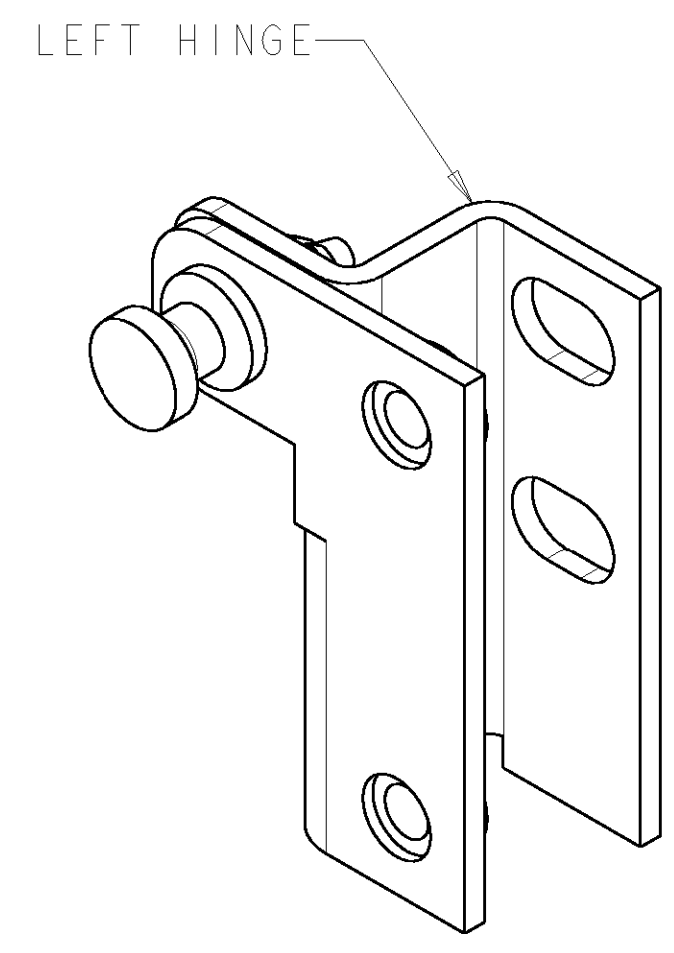
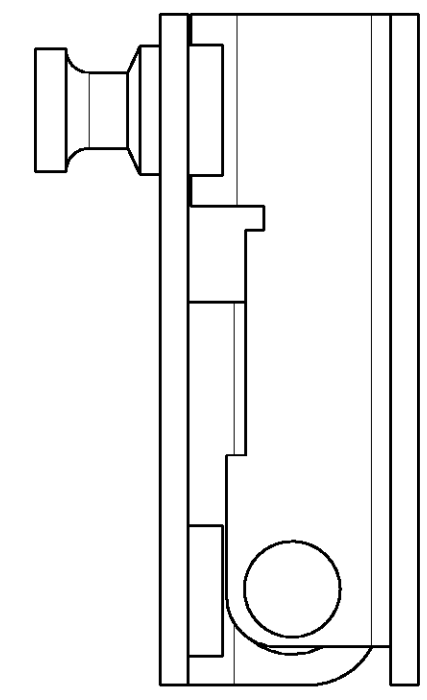
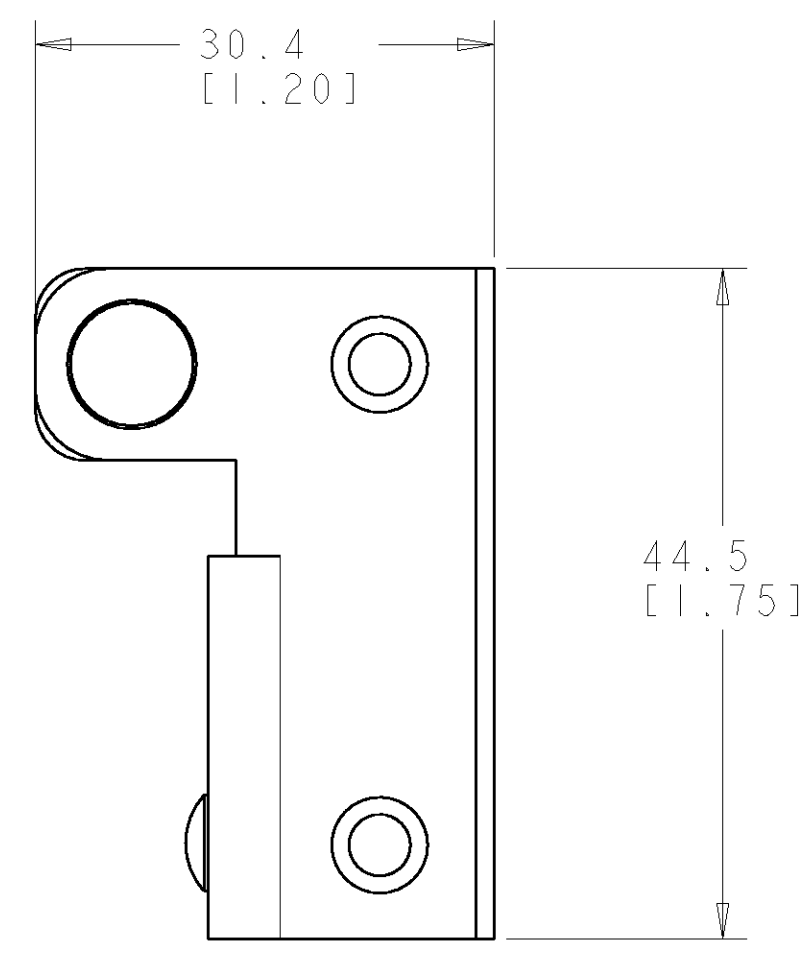
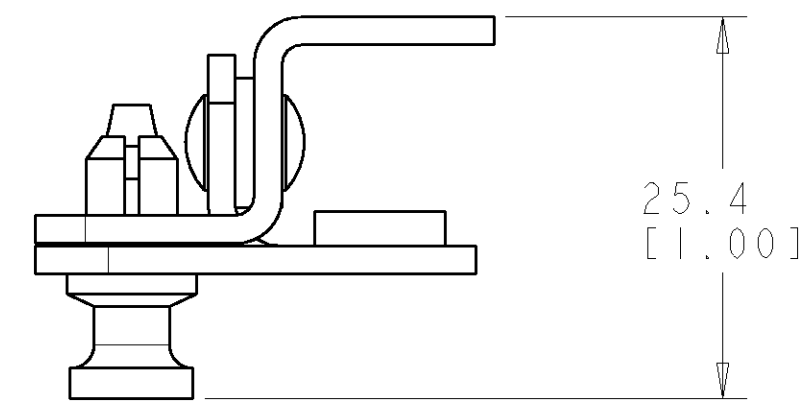


THIS DRAWING IS UNPUBLISHED. RELEASED FOR PUBLICATION 20
 © COPYRIGHT 20 BY TYCO ELECTRONICS CORPORATION. ALL RIGHTS RESERVED.

| LOC | DIST | REVISIONS | | | | | |
|-----|------|-----------|-----|---------------------|---------|-----|------|
| HM | 00 | P | LTR | DESCRIPTION | DATE | DWN | APVD |
| | | A | | RLSD; NPR NSD03-087 | 10NOV03 | GG | SH |
| | | B | | REV-EC 0B40-0297-03 | 15DEC03 | LH | SH |
| | | | | | | | |



- 1. MATERIAL: STEEL, MILD 1.85 [.073] THICK.
PLUNGER - NYLON.
GROMMET - POLYCARBONATE.
- 2. ALL DIMENSIONS SHOWN ARE NOMINAL AND ARE TYPICAL FOR LEFT AND RIGHT HINGE.
- 3. ONE BAG OF 4 10-32 X .50 SCREWS AND ONE BAG OF 4 12-24 X .50 SCREWS PROVIDED PER KIT AND NOT SHOWN ON DRAWING.
- 4. APPLICATION NOTE: HINGE KITS DESIGNED TO BE USED IN CONJUNCTION WITH WIRE MANAGEMENT PANEL 1479399-1. HINGED KITS MAY NOT BE STACKED END TO END WITHOUT ALLOWING APPROXIMATELY .50 INCH BETWEEN UPPER AND LOWER HINGES (1 RACK HOLE SPACE).

1479582-1
PART NUMBER

| | | | | |
|---|--|----------------------------|---|------|
| THIS DRAWING IS A CONTROLLED DOCUMENT FOR TYCO ELECTRONICS CORPORATION. IT IS SUBJECT TO CHANGE AND THE CONTROLLING ENGINEERING ORGANIZATION SHOULD BE CONTACTED FOR THE LATEST REVISION. | | DWN G. GARRETT 10NOV03 | Tyco Electronics Harrisburg, PA 17105-3608 | |
| DIMENSIONS: MM [INCHES] | | CHK S. HERNDON 10NOV03 | | |
| TOLERANCES UNLESS OTHERWISE SPECIFIED: | | APVD S. HERNDON 10NOV03 | NAME IU, HINGED BRACKET KIT | |
| 0 PLC ± | | PRODUCT SPEC | - | |
| 1 PLC ± | | APPLICATION SPEC | - | |
| 2 PLC ± | | WEIGHT | - | |
| 3 PLC ± | | SIZE | A2 | |
| 4 PLC ± | | CAGE CODE | 00779 | |
| ANGLES ± | | DRAWING NO | G-1479582 | |
| FINISH | | RESTRICTED TO | - | |
| MATERIAL | | CUSTOMER DRAWING | SCALE | 2:1 |
| - | | SHEET | 1 | OF 1 |
| - | | REV | | B |